

Insulated Cabin Gable Roof

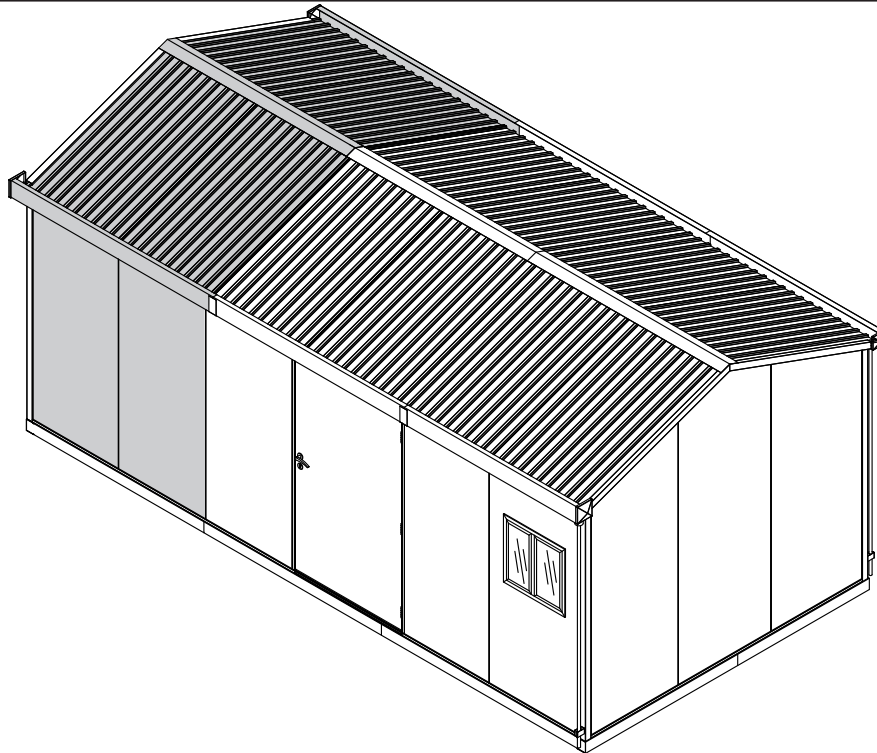
OWNER'S MANUAL /

Instructions for Assembly

Size 10 Ft x 13 Ft with "Extension Kits" (10 Ft x 6 1/2 Ft / 3.1 Mtr. x 2 Mtr.) (Approx.)

Ver. : 0.0

OPTION - 1 : Extension Kit assembly on Left Side of the Basic Cabin



Note : For Cabin with Extension assembly use this manual only

- Strong & Secure Cabin
- Quick & Easy Assembly
- Metal Cladded Insulated Walls
- Wide Door with Lock
- Easily Expandable

Available Kits

- Window Kits Available

PART 1

ASSEMBLING CABIN WITH EXTENSION KIT

PART 2

ADDING EXTENSION KIT TO EXISTING CABIN

**Customer
Service Hotline
(800) 483-4674**

www.duramaxbp.com

Call us for any missing or damaged parts.
Do not return to the store.

Building Dimensions (One extension) :

Approximate Size	Storage		Exterior Dimension				Interior Dimension		
	Area	Volume	Base Dimension		Roof Edge to Edge		Wall to Wall		
			inch	cm.	inch	cm.	inch	cm.	
10 Ft x 6 1/2 Ft	65 Sq. Ft.	462 1/8 Cu.Ft.	Width	79	201	79	201	79	201
3.1 Mtr. x 2 Mtr.	6.03 Sq.Mtr.	13.08 Cu.Mtr.	Depth	120 1/2	306	128 1/4	325.6	118 1/8	300
			Height			111 7/8	284.2	85 1/2	217

Note - Basic Cabin dimensions are available in basic cabin manual.

Duramax Insulated Shed Limited Seven Year Warranty

U.S. Polymer Inc. will send a replacement part free of charge, in the event of material defects and or workmanship for a period of seven years from the date of purchase.

This warranty is extended only to the original purchaser. A purchase receipt or other proof of date of original purchase will be required before warranty service is rendered. In no event shall we pay the cost of flooring, labor, installation or any other costs related thereto.

This warranty only covers failures due to defects in material or workmanship which occurs during normal use and does not extend to color change arising due to normal weathering or to damage resulting from misuse or neglect, commercial use, failure to follow assembly instructions and the owner's manual (including proper anchoring of the shed), painting, forces of nature and other causes which is beyond our control.

Claims under this warranty must be made within the warranty period by calling 1-800-483-4674 or mail in a dated sales slip and clear photograph of the part to:

U.S. Polymers, Inc.
1057 S. Vail Ave,
Montebello, CA 90640.

We reserve the right to discontinue or change components. If a component has been discontinued or is not available,

U.S. Polymers, Inc. reserves the right to substitute a component of equal quality as may be compatible.

Limits and Exclusions

There are no express warranties except as listed above. The warrantor shall not be liable for incidental or consequential damages resulting from the use of this product, or arising out of any breach of this warranty.

All express warranties are limited to the warranty period set forth above. Some states do not allow the exclusion or limitation on how long an implied warranty lasts, so the above limitations may not apply to you.

This warranty gives you specific legal rights and you may also have other rights which vary from state to state or country to country.

Basic Cabin Parts List

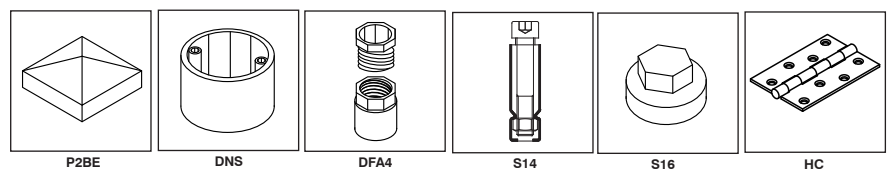
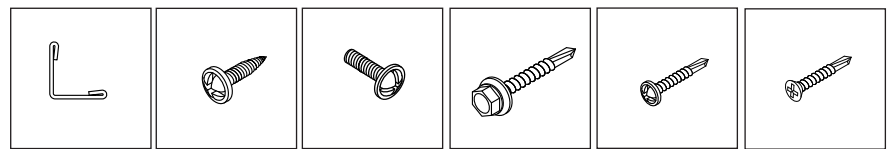
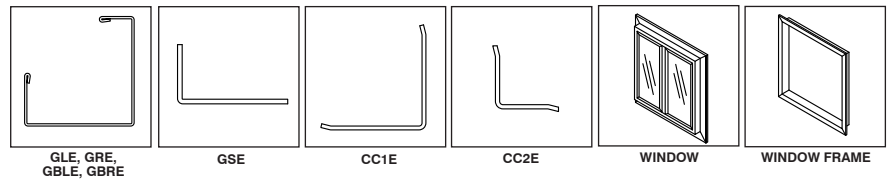
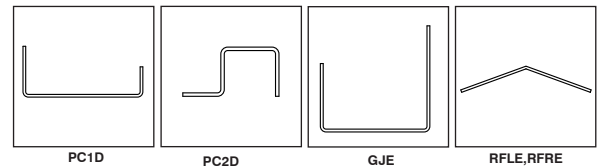
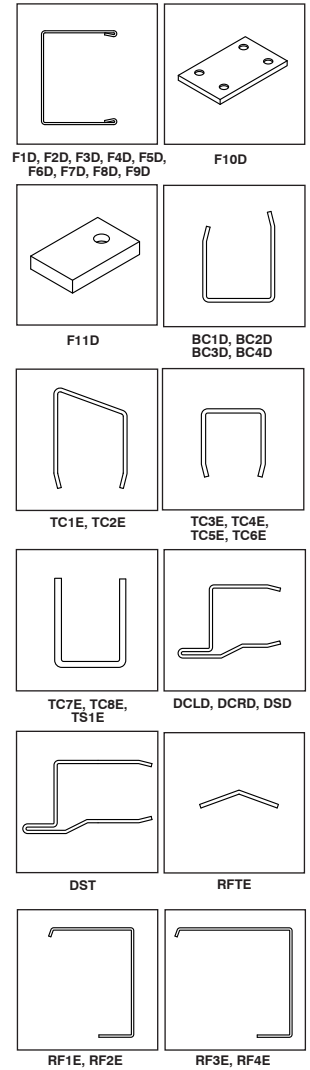


Note: Check all parts prior to installation.

PROFILES

PARTS			
CODE	QTY	CODE	QTY
F1D	2	RFTE	2
F2D	2	RFLE	1
F3D	4	RFRE	1
F4D	4	RF1E	1
F5D	2	RF2E	1
F6D	2	RF3E	1
F7D	4	RF4E	1
F8D	18	GLE	1
F9D	4	GRE	1
F10D	8	GBLE	1
F11D	8	GBRE	1
BC1D	2	GJE	2
BC2D	2	GSE	8
BC3D	2	RFSD	12
BC4D	2	PC1D	2
TC1E	2	PC2D	2
TC2E	2	W1D	6
TC3E	1	W2D	1
TC4E	1	W1E	2
TC5E	1	W2E	2
TC6E	1	W3E	2
TC7E	6	R1E	1
TC8E	3	R2E	2
TS1E	6	R3E	1
DCLD	1	R4E	1
DCRD	1	R5E	2
DSD	1	R6E	1
DST	1	DE	1
CC1E	4	WINDOW	1
CC2E	4	WINDOW Frame	1

ACCESSORIES	
CODE	QTY
DNS	2
DFA4	2
P2BE	4
DCV4	2
S2	543
S3	4
S8	4
S14	8
S15	24
S16	44
S10	44
S21	18
HC	3
SILICON CLEAR	2
DOOR LOCK	1
SUPER GLUE	1

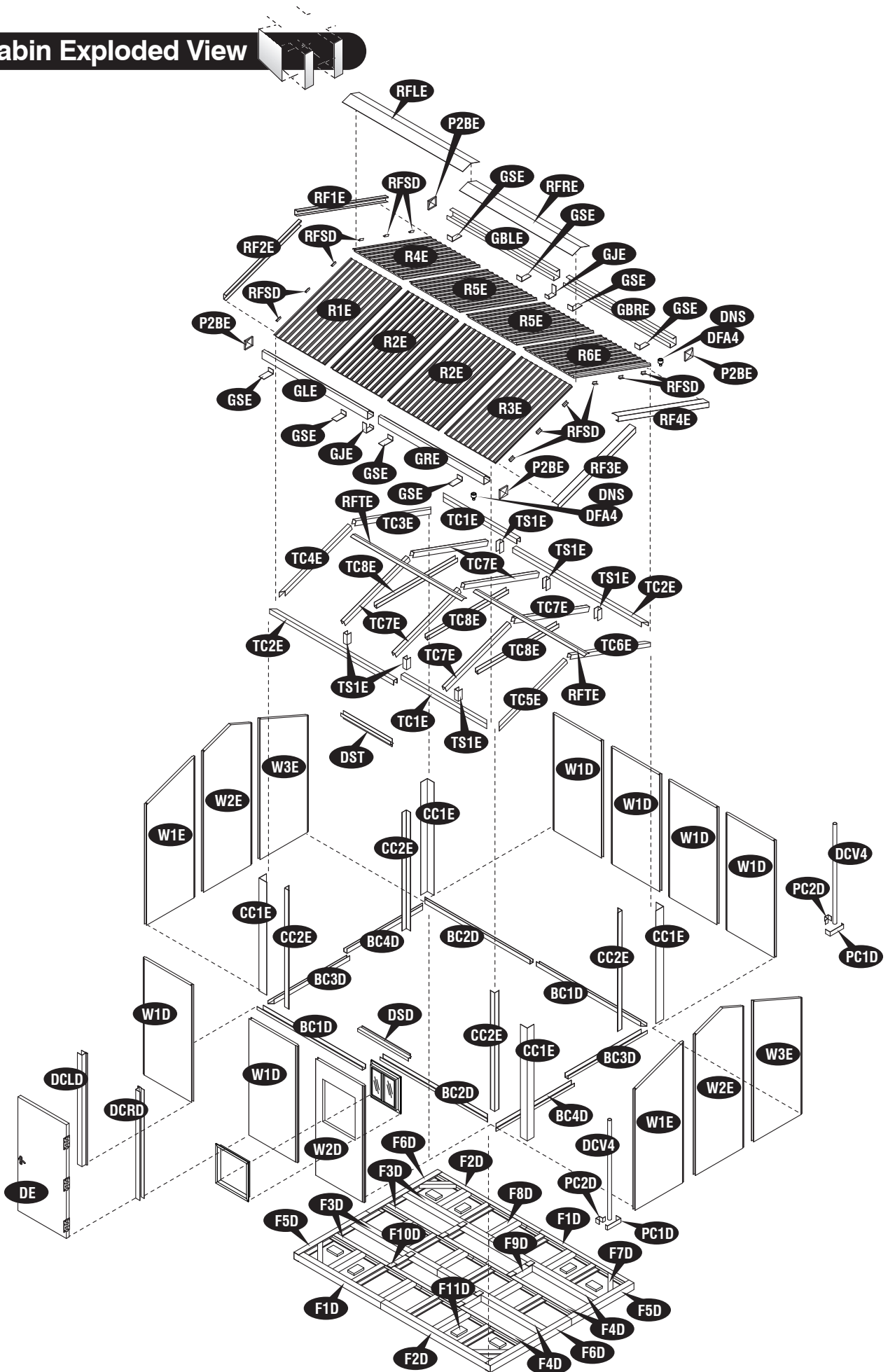


Tools You Will Need

- Hand Gloves
- Cordless Drill - Philips Head
- Screw driver - Philips Head
- Carpenter's Square
- Eye Protector
- 8' Step Ladder
- Adjustable pliers
- Level - 3ft.
- Tape Measure
- Hammer or Rubber Mallet
- Caulk Gun
- 10mm Hex. Socket Bit
- 7.0mm Spanner

IMPORTANT : USE HAND GLOVES TO PREVENT INJURY.

Basic Cabin Exploded View



IMPORTANT : USE HAND GLOVES TO PREVENT INJURY.

One Extension Parts List

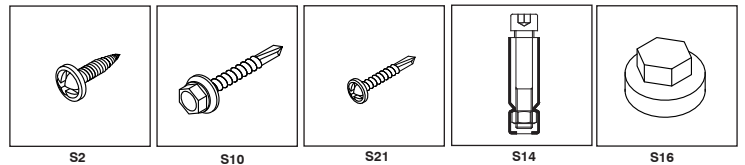
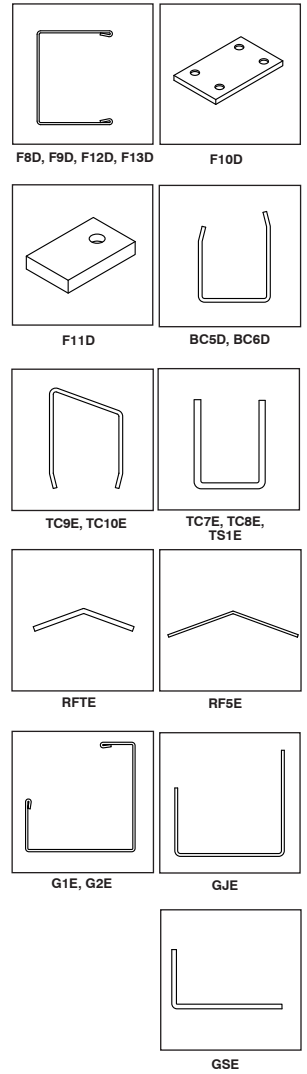


Note: Check all parts prior to installation.

PARTS	
CODE	QTY
F8D	12
F9D	4
F10D	8
F11D	4
F12D	2
F13D	4
BC5D	1
BC6D	1
TC7E	4
TC8E	2
TC9E	1
TC10E	1
TS1E	4
RFTE	1
RF5E	1
GJE	2
GSE	4
G1E	1
G2E	1
W1D	4
R2E	2
R5E	2

ACCESSORIES	
CODE	QTY
S2	187
S14	4
S16	16
S10	16
S21	22
SILICON CLEAR	1

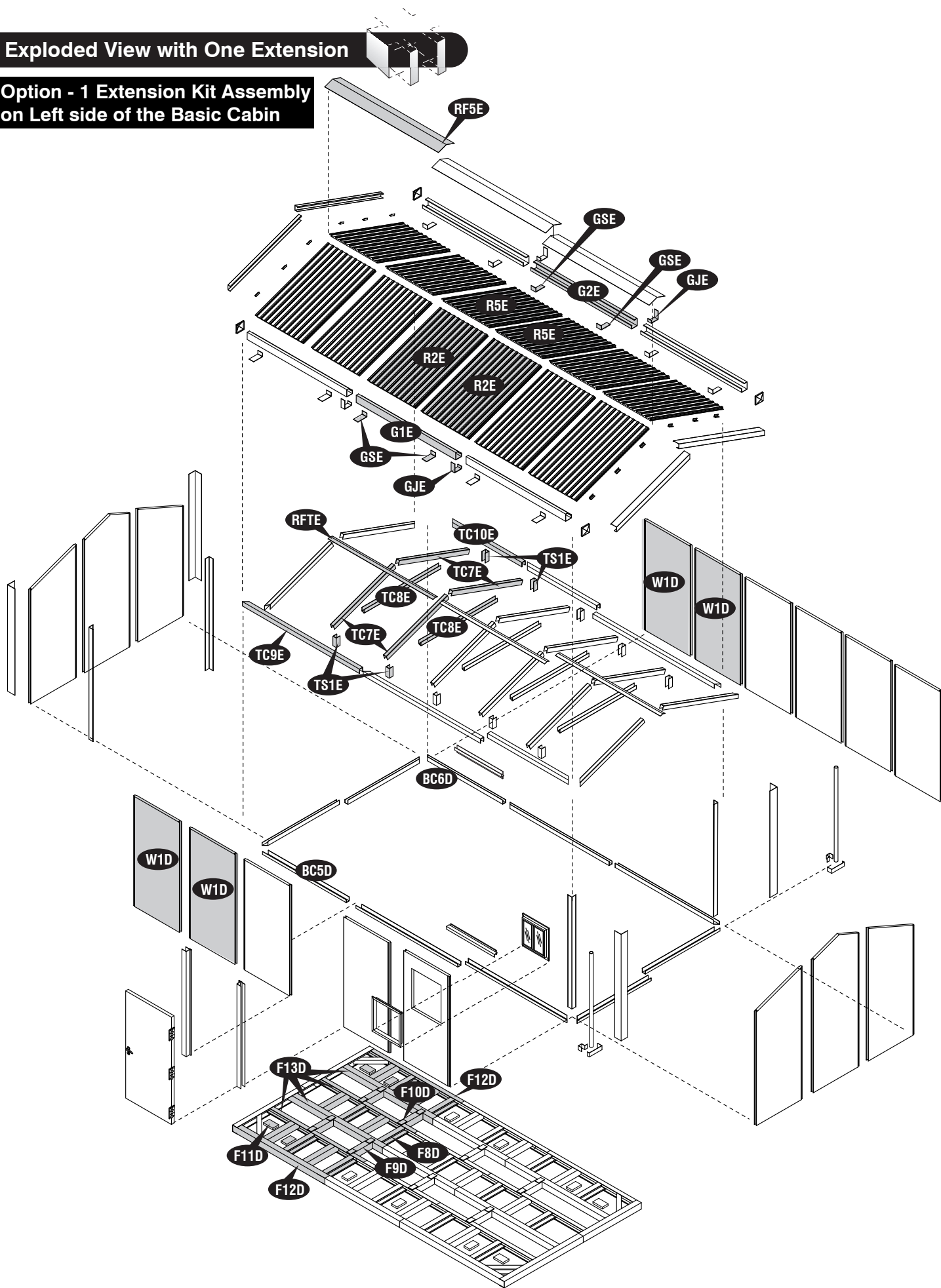
PROFILES



IMPORTANT : USE HAND GLOVES TO PREVENT INJURY.

Exploded View with One Extension

**Option - 1 Extension Kit Assembly
on Left side of the Basic Cabin**



IMPORTANT : USE HAND GLOVES TO PREVENT INJURY.

PART 1- Assembling Cabin with Extension Kit

Option-1- Extension Kit Assembly on Left side of the Basic Cabin

A. Foundation & Base Assembly

Note: It is important that these instructions are followed step by step.

Note



All parts are clearly marked and care should be taken to use the correct one.

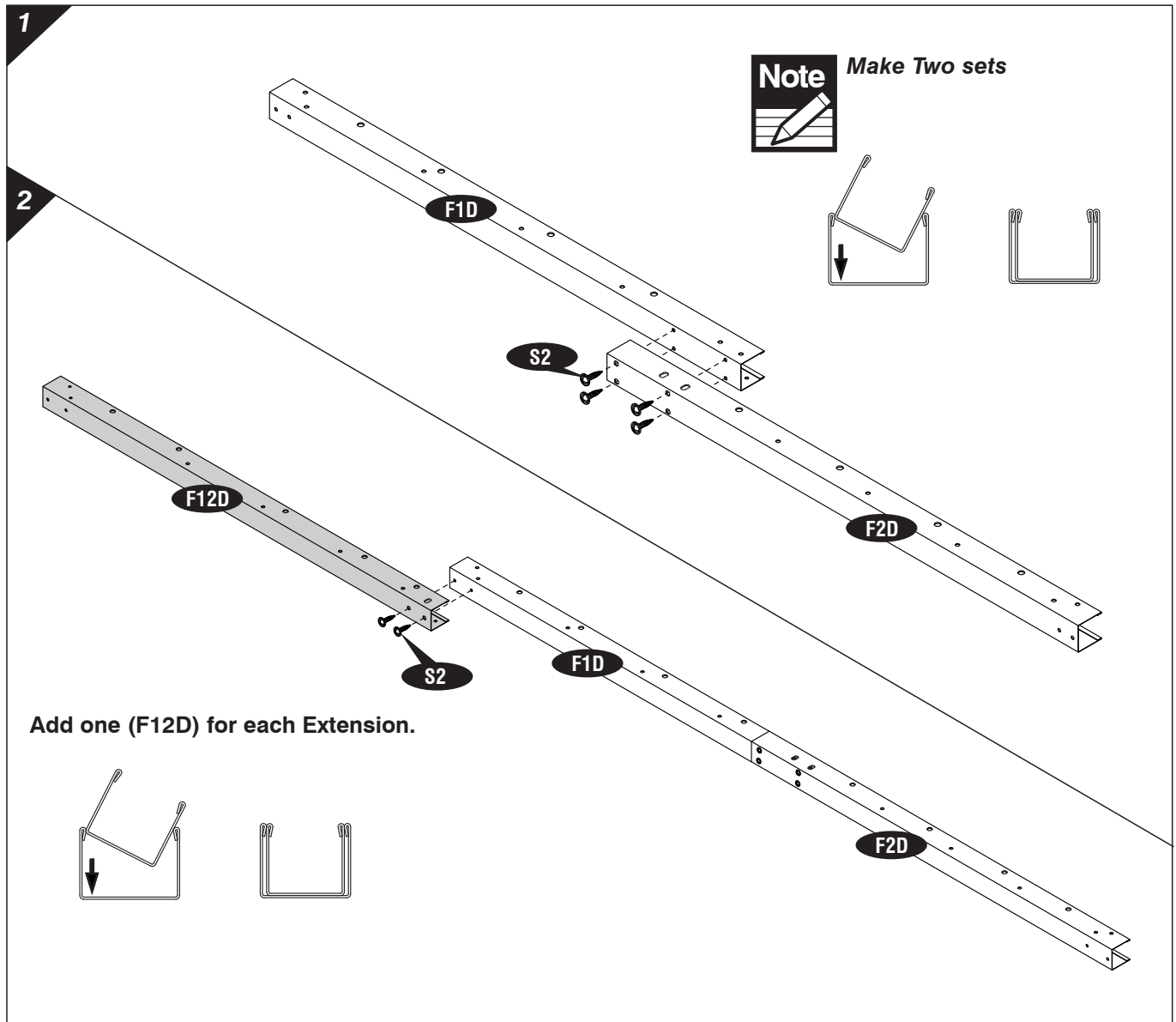
Before Assembling Foundation make sure that the floor level should be perfect flat.

Parts needed:

CODE	QTY	CODE	QTY
F1D	2	F10D	8
F2D	2	F11D	8
F3D	4	BC1D	2
F4D	4	BC2D	2
F5D	2	BC3D	2
F6D	2	BC4D	2
F7D	4	S2	238
F8D	18	S14	12
F9D	4		

Parts needed for each extension:

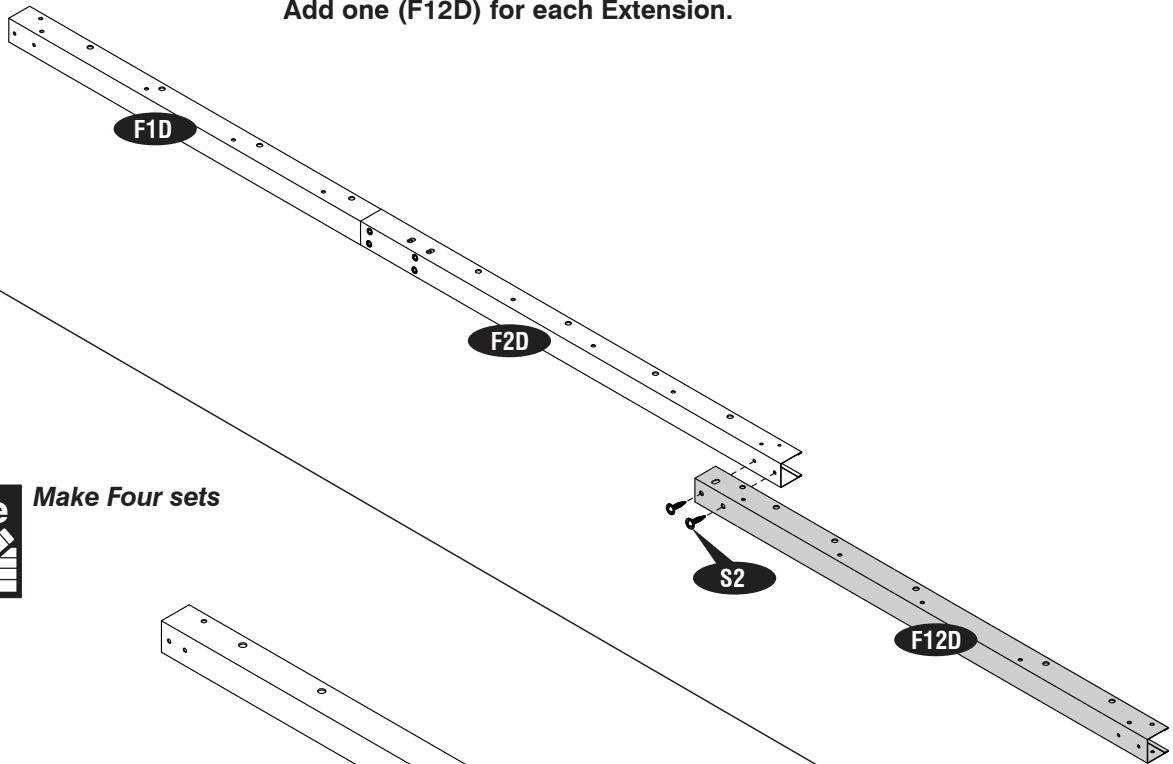
CODE	QTY	CODE	QTY
F8D	12	BC5D	1
F9D	4	BC6D	1
F10D	8	S2	78
F11D	4	S14	4
F12D	2		
F13D	4		



IMPORTANT : USE HAND GLOVES TO PREVENT INJURY.

3

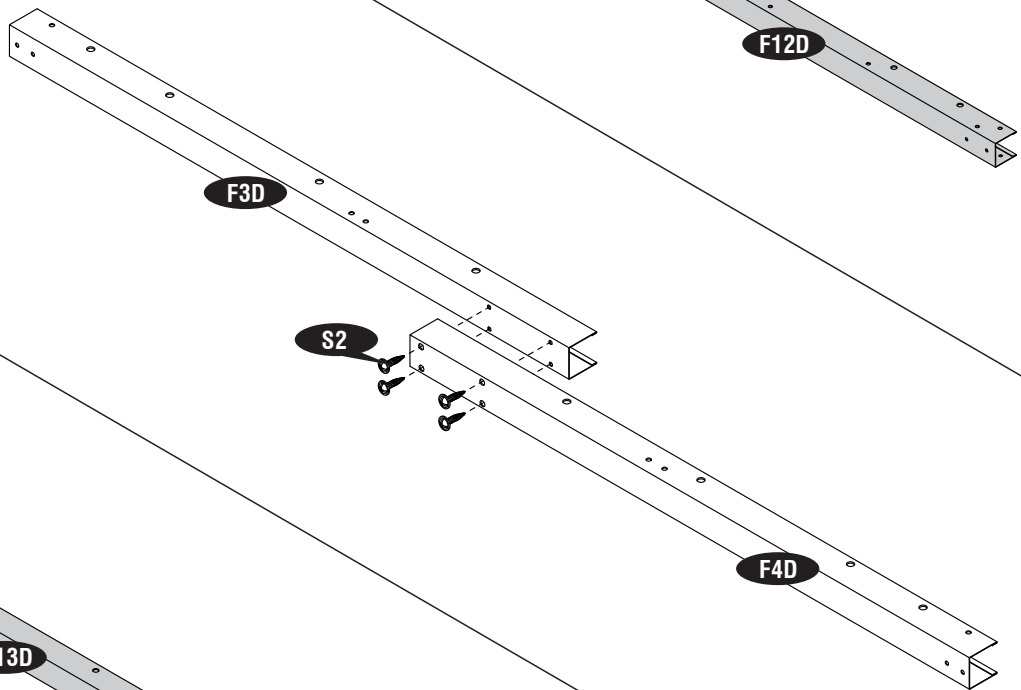
Add one (F12D) for each Extension.



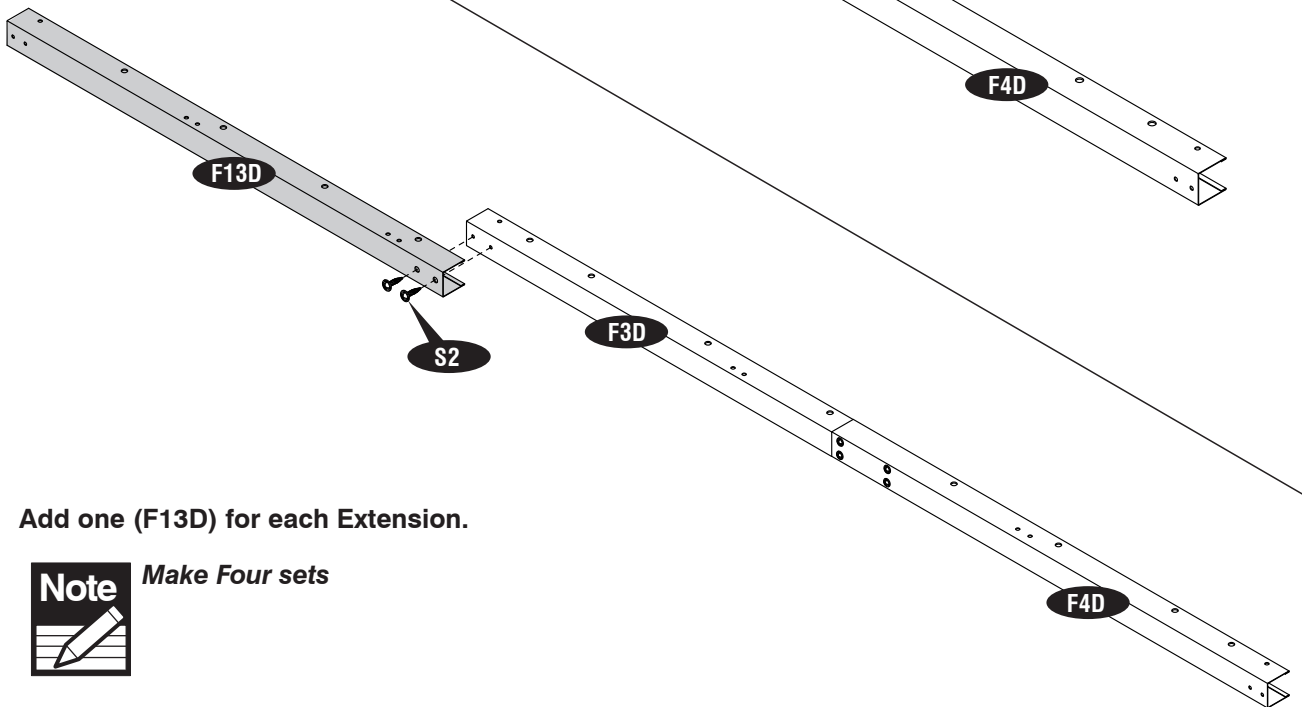
4



Note Make Four sets



5



Add one (F13D) for each Extension.



Note Make Four sets

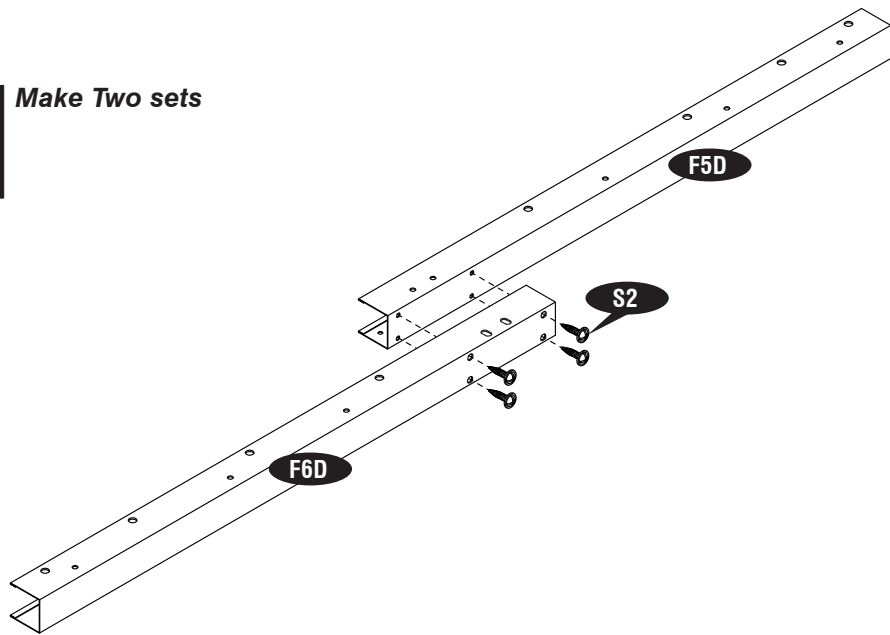
2

IMPORTANT : USE HAND GLOVES TO PREVENT INJURY.

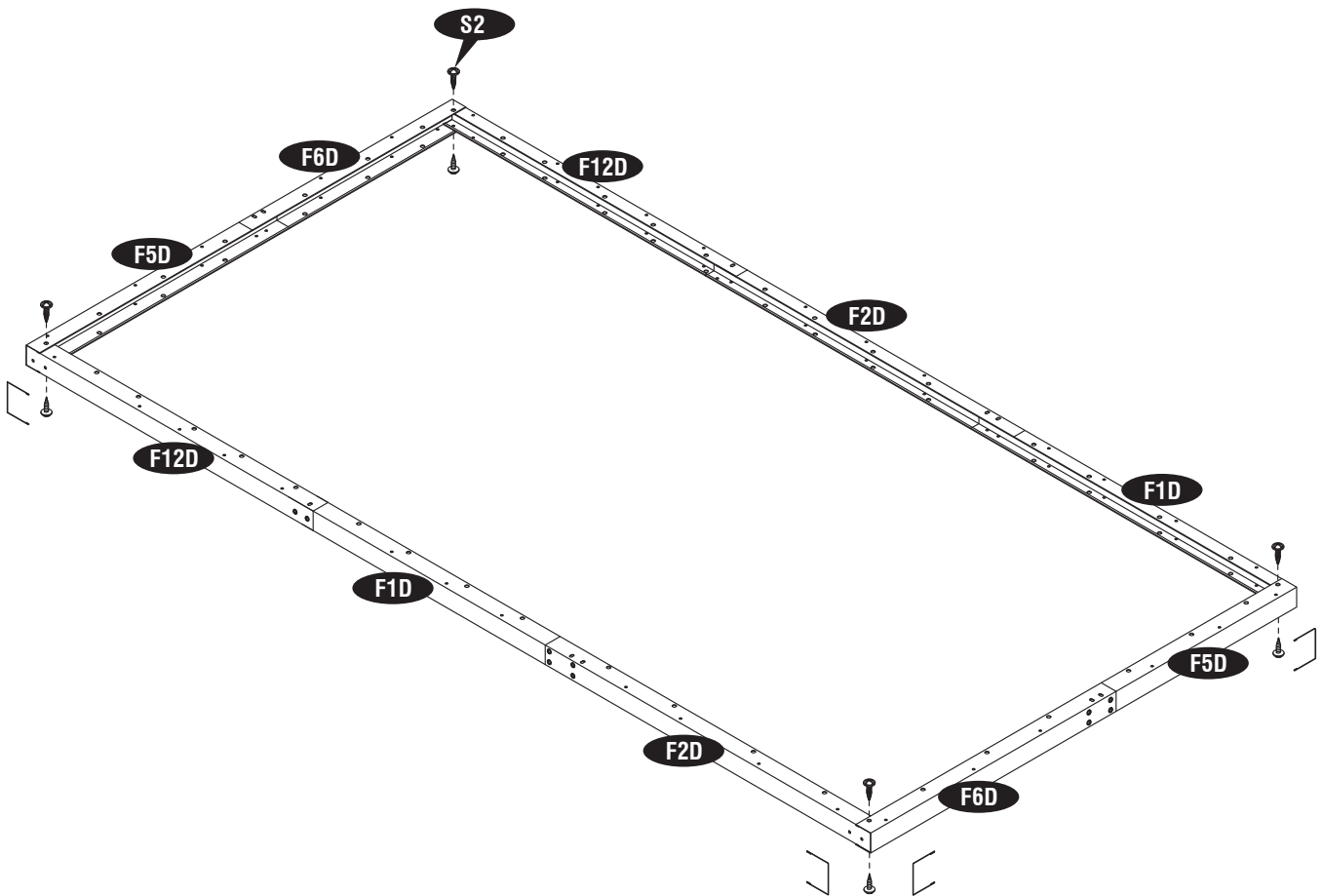
6



Note Make Two sets



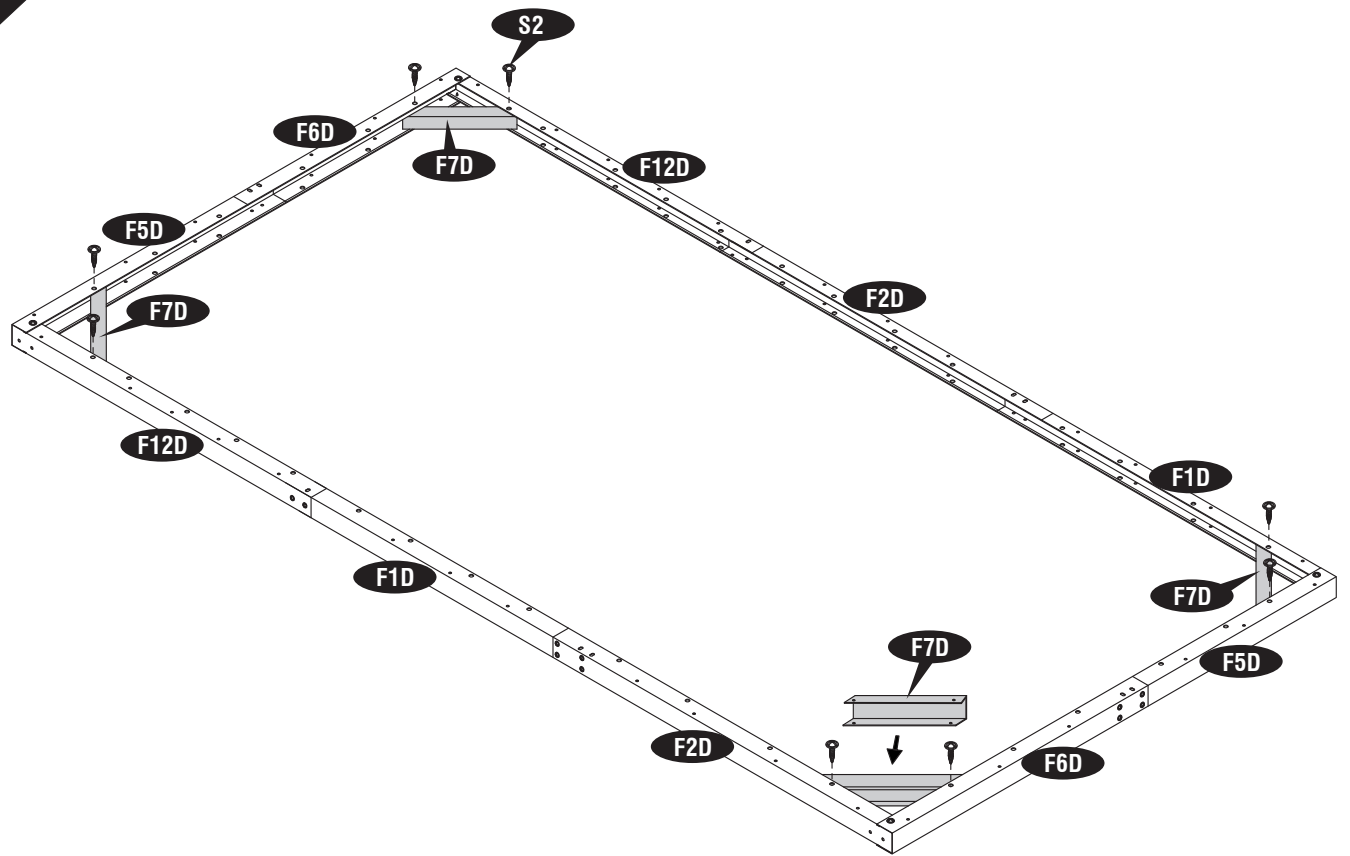
7



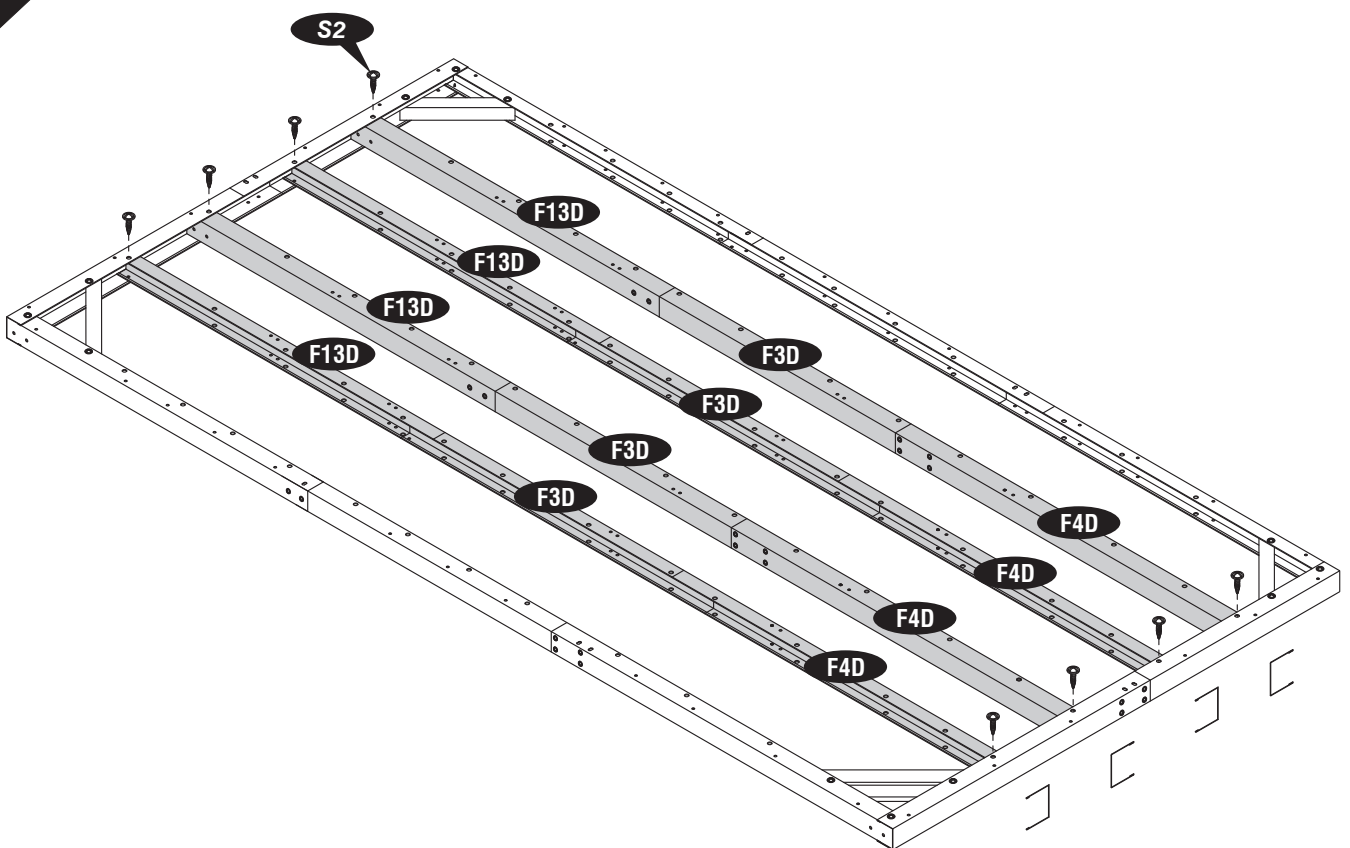
3

IMPORTANT : USE HAND GLOVES TO PREVENT INJURY.

8



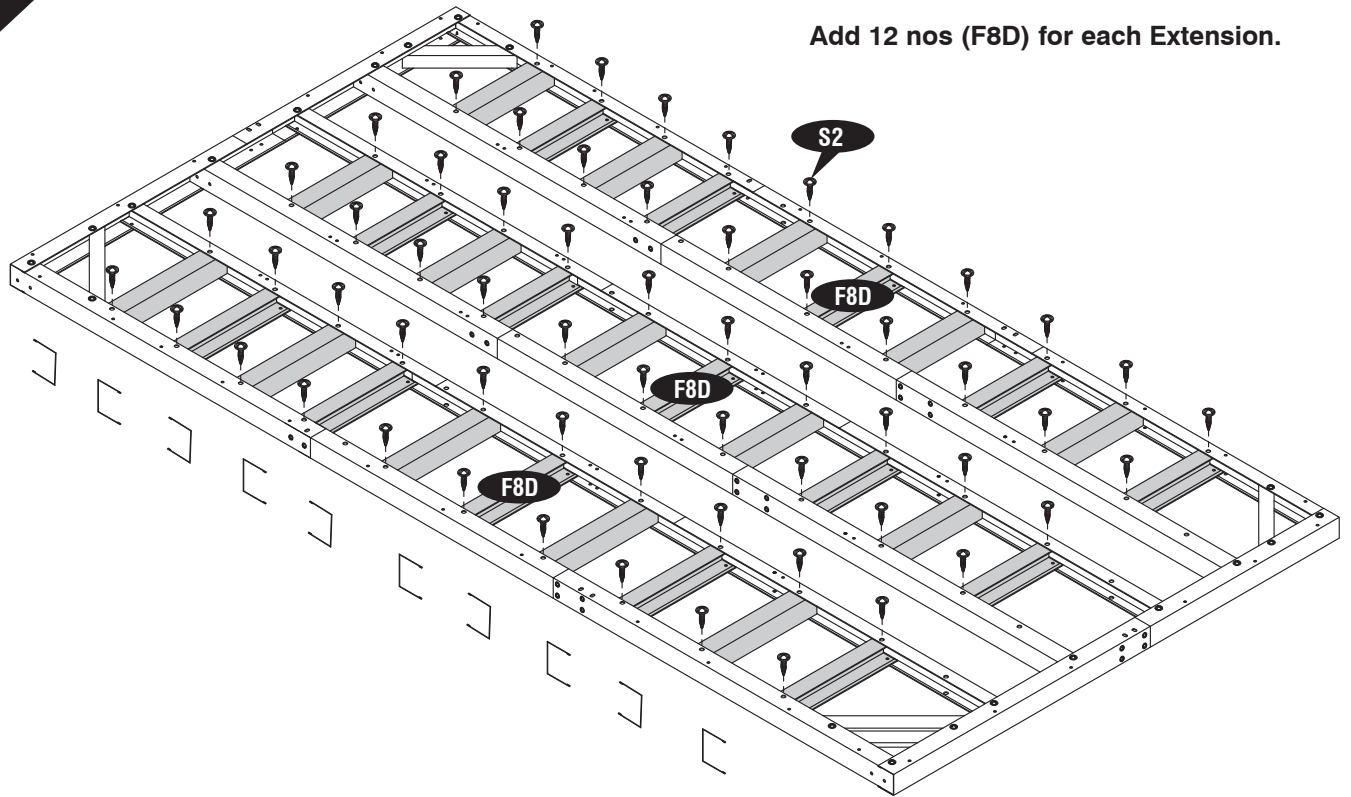
9



4

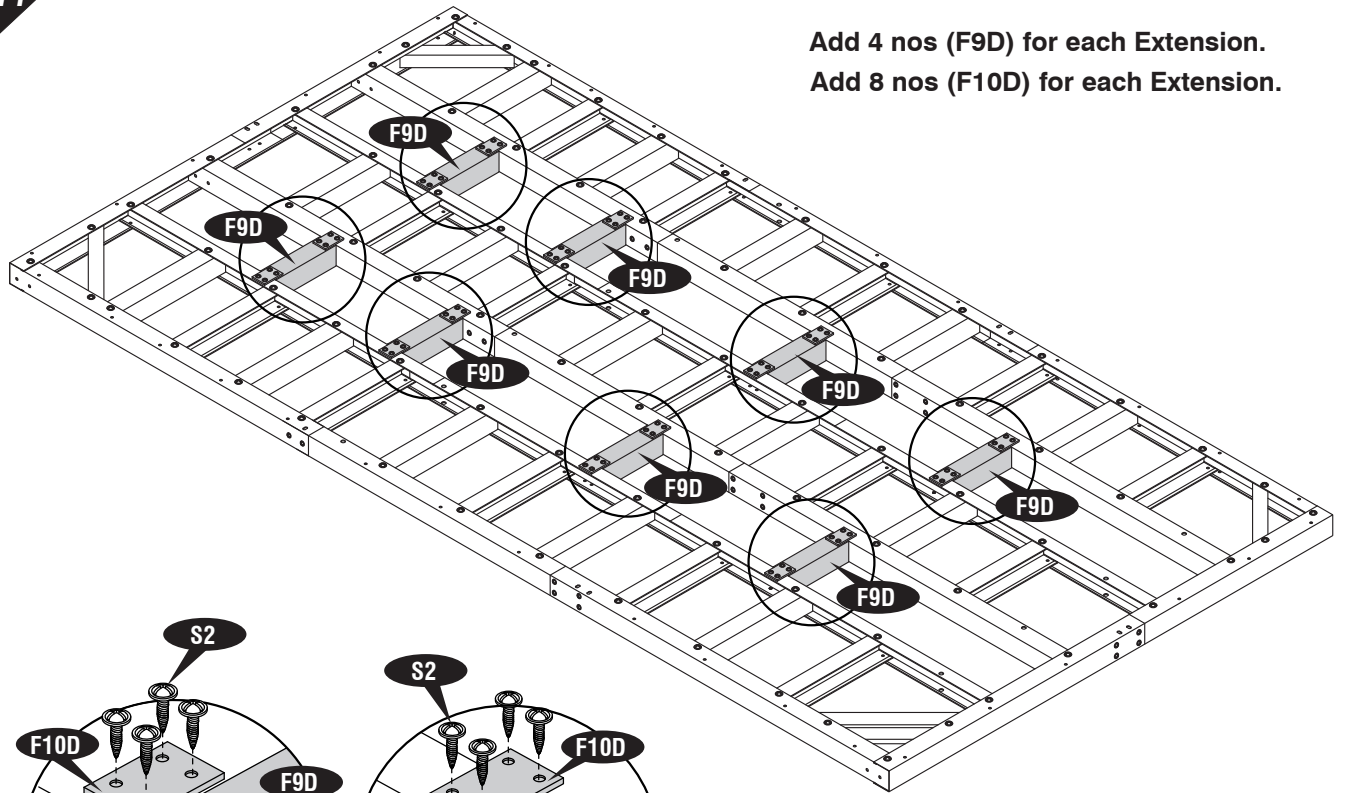
IMPORTANT : USE HAND GLOVES TO PREVENT INJURY.

10

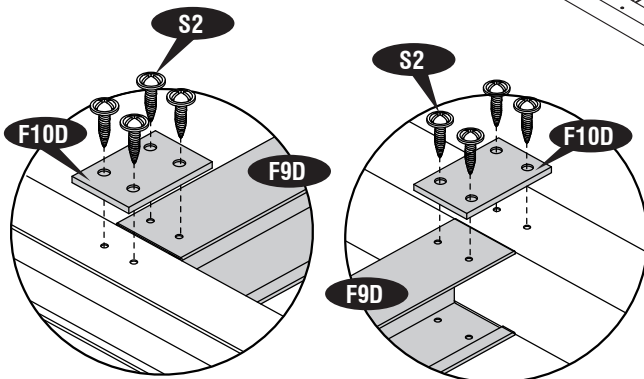


Add 12 nos (F8D) for each Extension.

11



Add 4 nos (F9D) for each Extension.
Add 8 nos (F10D) for each Extension.

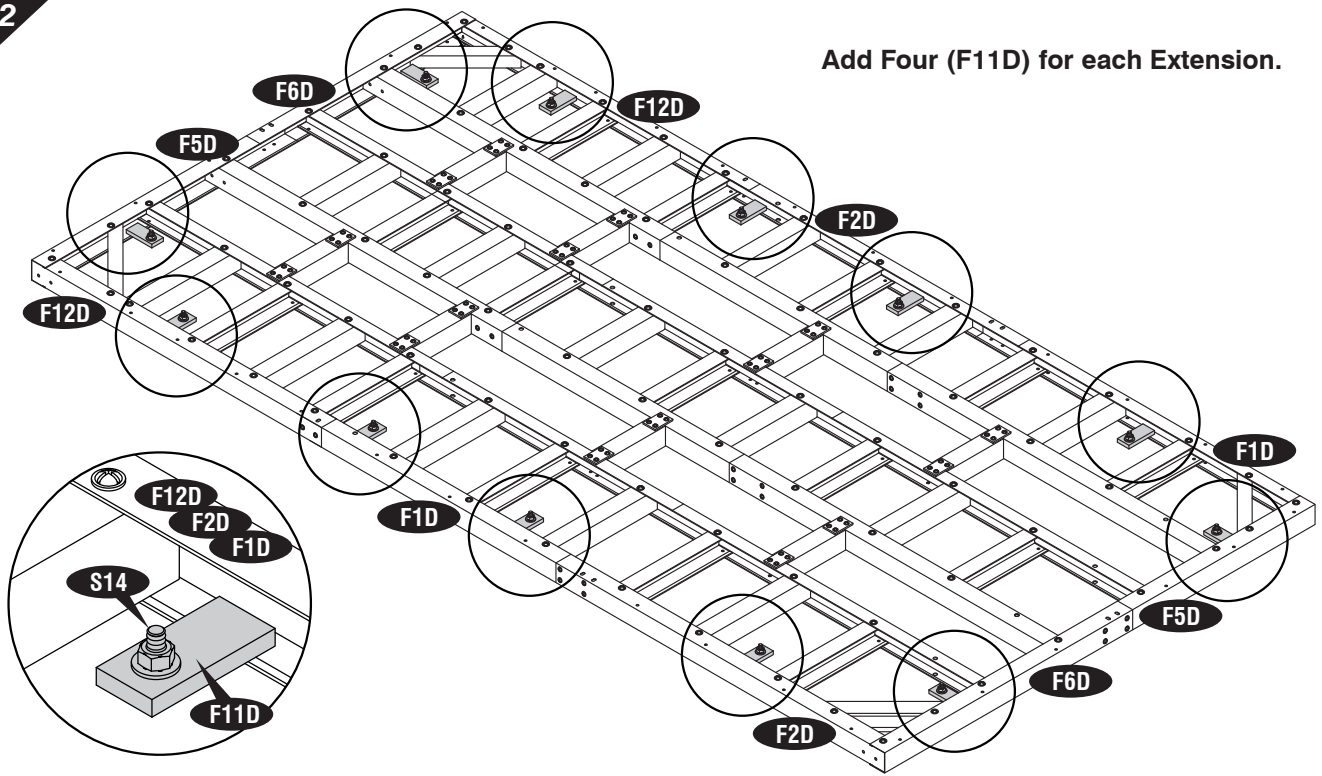


5

IMPORTANT : USE HAND GLOVES TO PREVENT INJURY.

12

Add Four (F11D) for each Extension.



13

Add one (BC5D & BC6D) for each Extension.

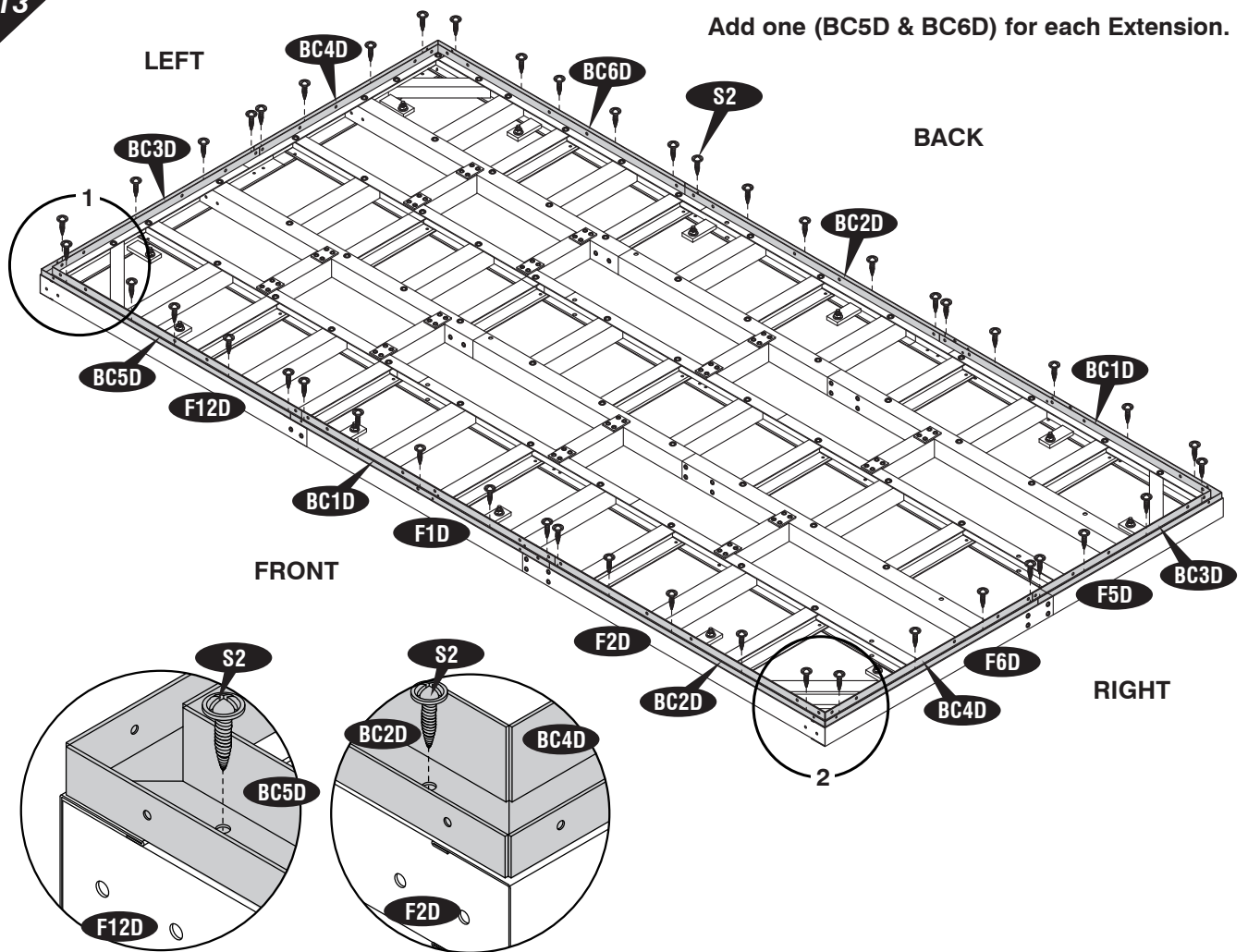


Fig. 1

Fig. 2

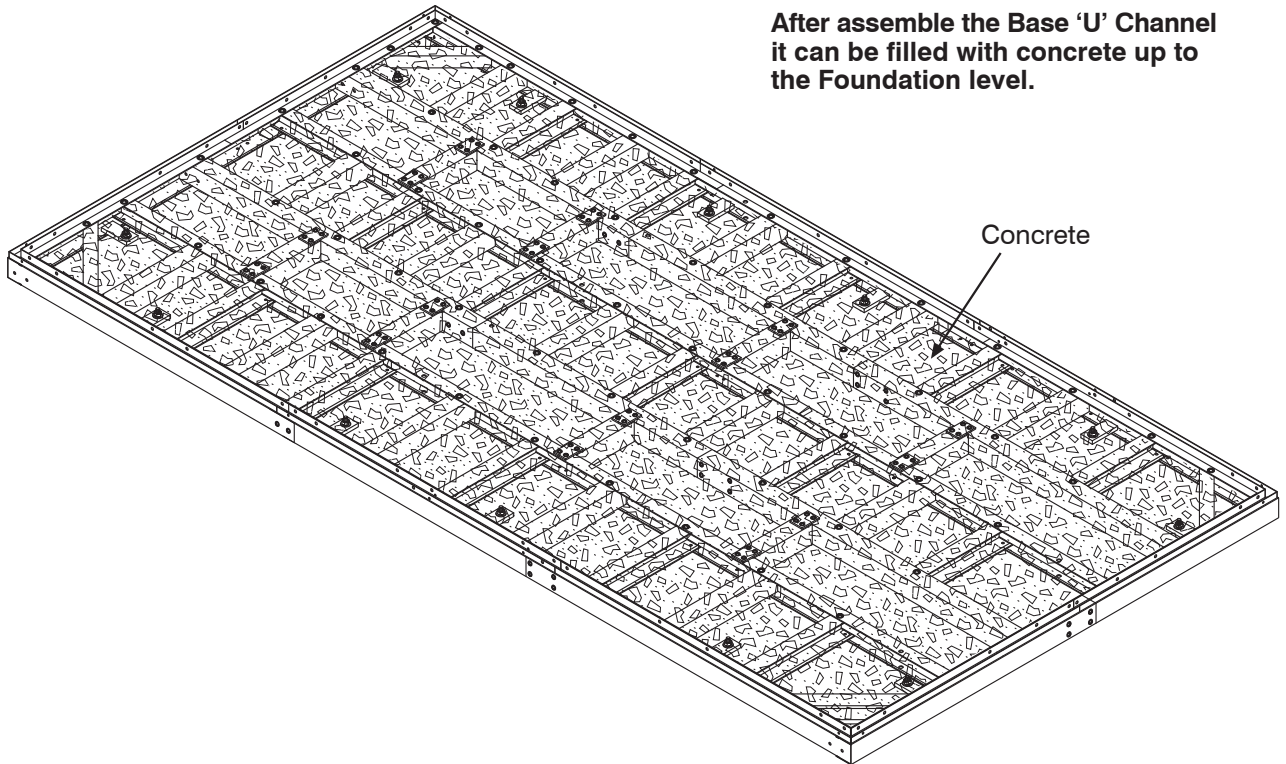
6

IMPORTANT : USE HAND GLOVES TO PREVENT INJURY.

14

Option - 1- Concrete

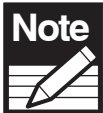
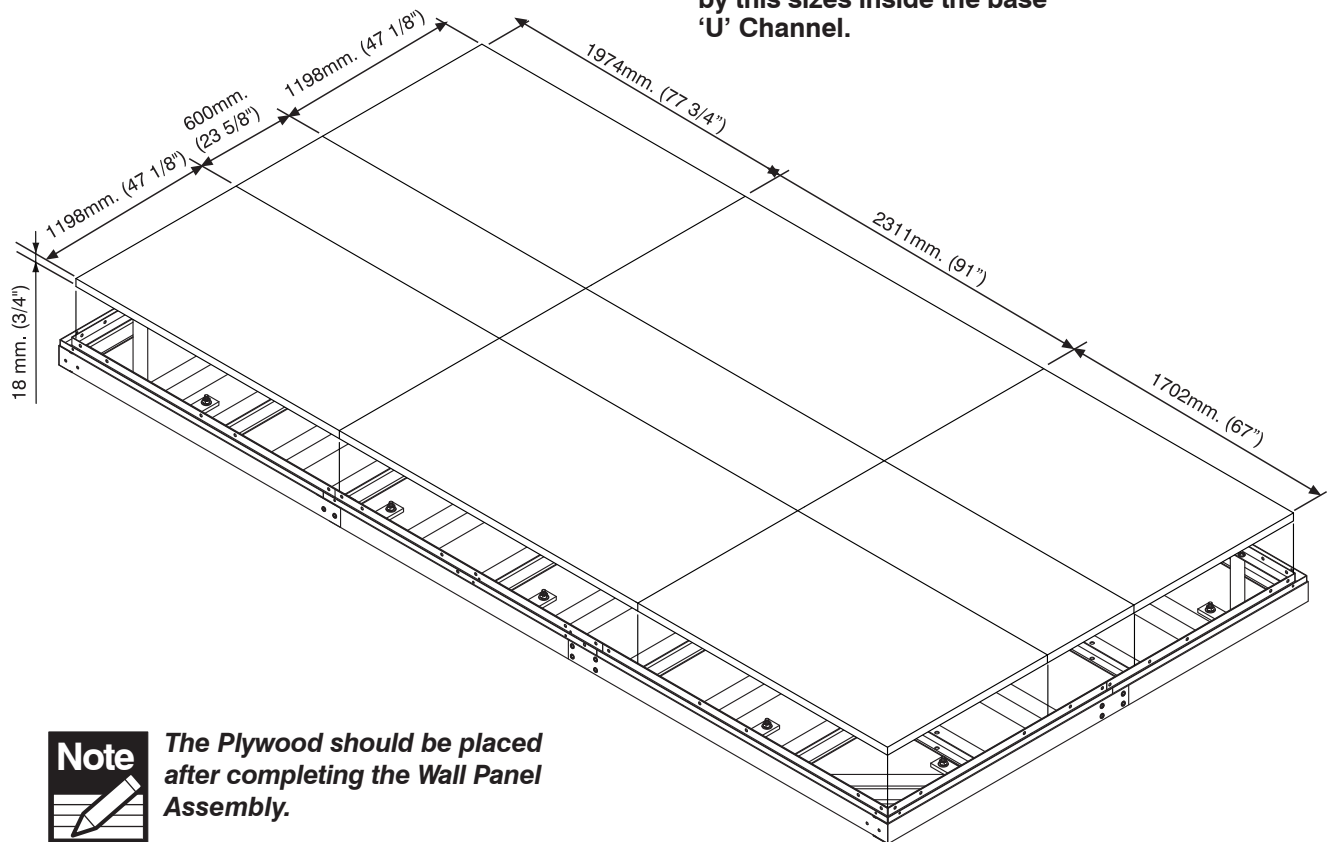
After assemble the Base 'U' Channel it can be filled with concrete up to the Foundation level.



15

Option - 2- Plywood (Not included)

The Plywood can be placed by this sizes inside the base 'U' Channel.



Note The Plywood should be placed after completing the Wall Panel Assembly.

7

IMPORTANT : USE HAND GLOVES TO PREVENT INJURY.

B. Wall Assembly

Parts needed:

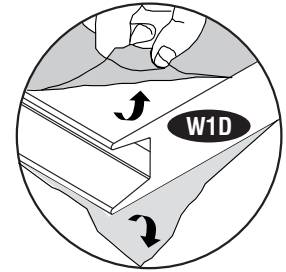
CODE	QTY	CODE	QTY
W1D	6	TS1E	6
W2D	1	CC1E	4
W1E	2	CC2E	4
W2E	2	DCLD	1
W3E	2	DCRD	1
TC1E	2	DSD	1
TC2E	2	DST	1
TC3E	1	RFTE	2
TC4E	1	RFSD	12
TC5E	1	S2	267
TC6E	1		
TC7E	6		
TC8E	3		

Parts needed for each extension:

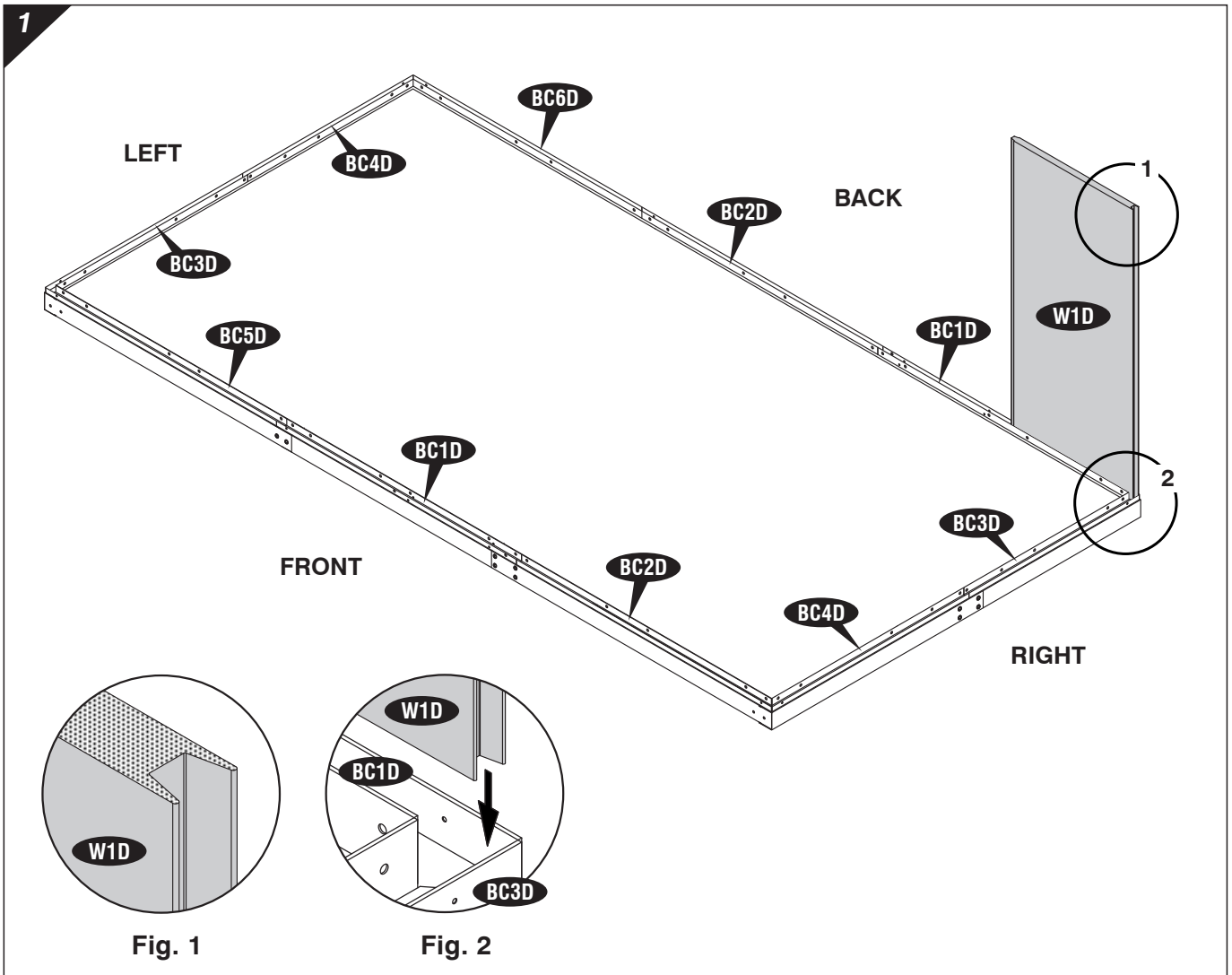
CODE	QTY
W1D	4
TC7E	4
TC8E	2
TC9E	1
TC10E	1
TS1E	4
RFTE	1
S2	59



Note Remove the protective films before start assembly.



Note This Insulated Cabin included with one Window Panel (W2D) . This can be fixed in any of the wall positions either front or back.



IMPORTANT : USE HAND GLOVES TO PREVENT INJURY.

2

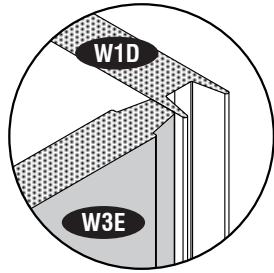


Fig. 1

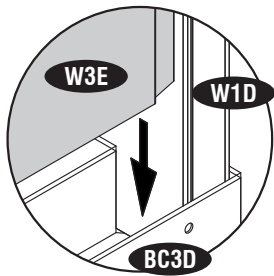
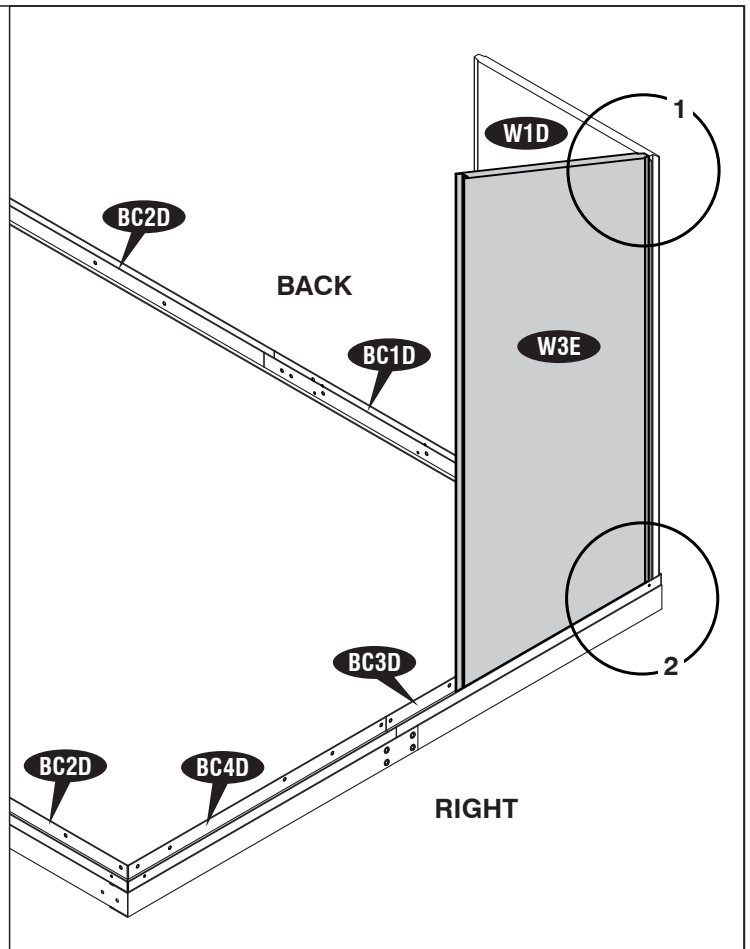


Fig. 2



3

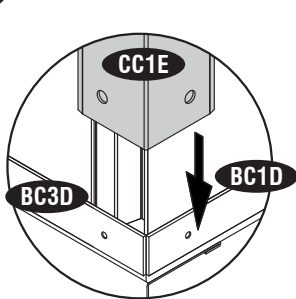


Fig. 1

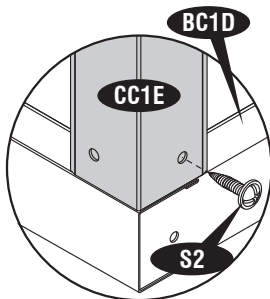


Fig. 2

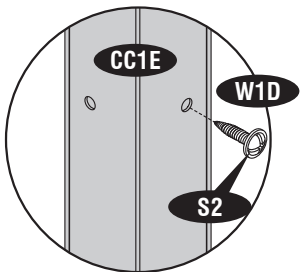


Fig. 3

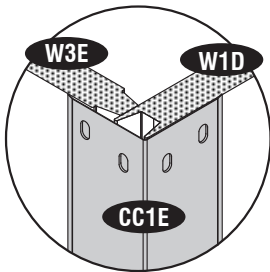
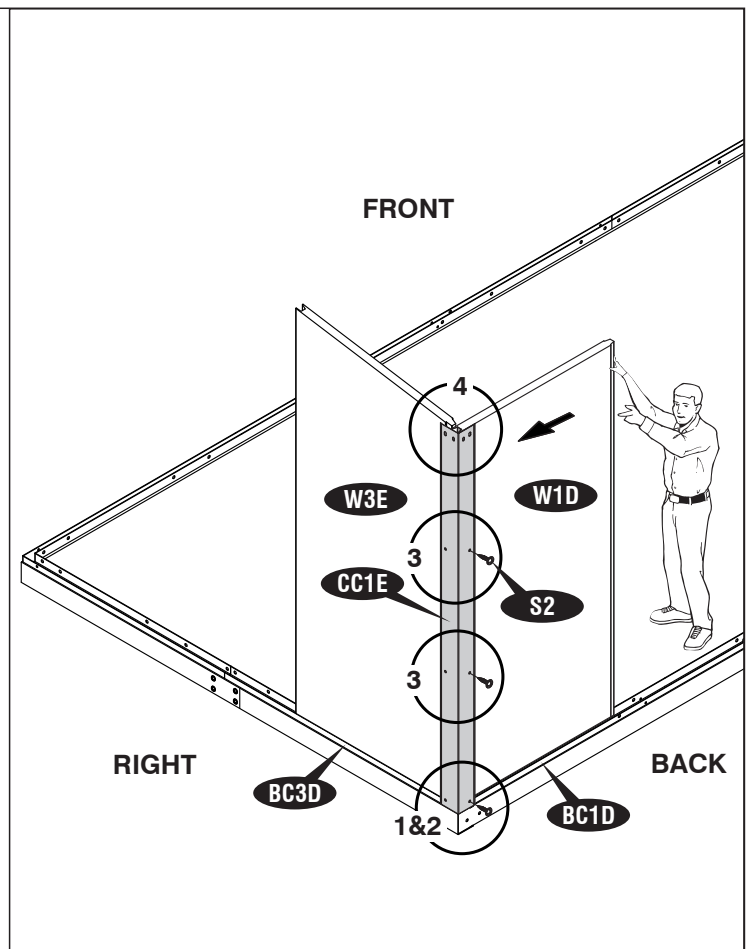


Fig. 4



9

IMPORTANT : USE HAND GLOVES TO PREVENT INJURY.

4

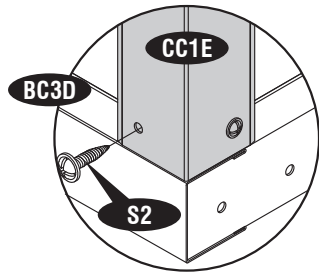


Fig. 1

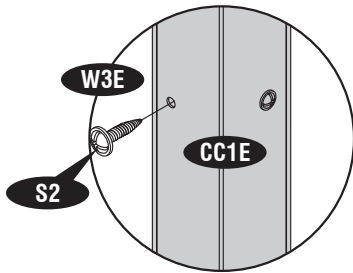
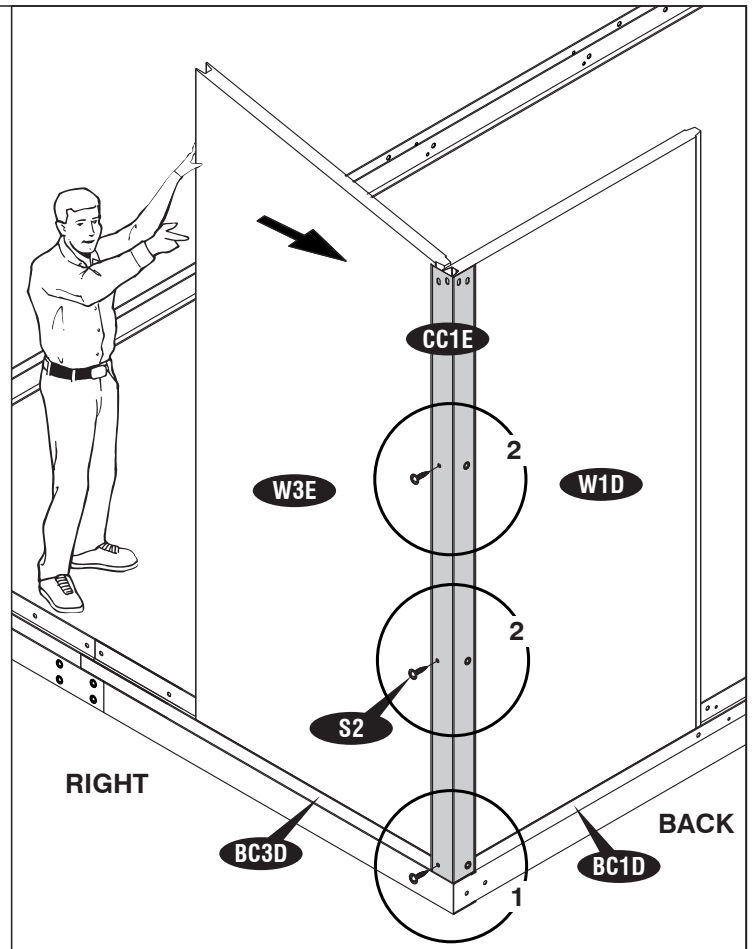


Fig. 2



5

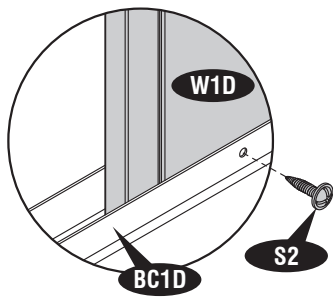
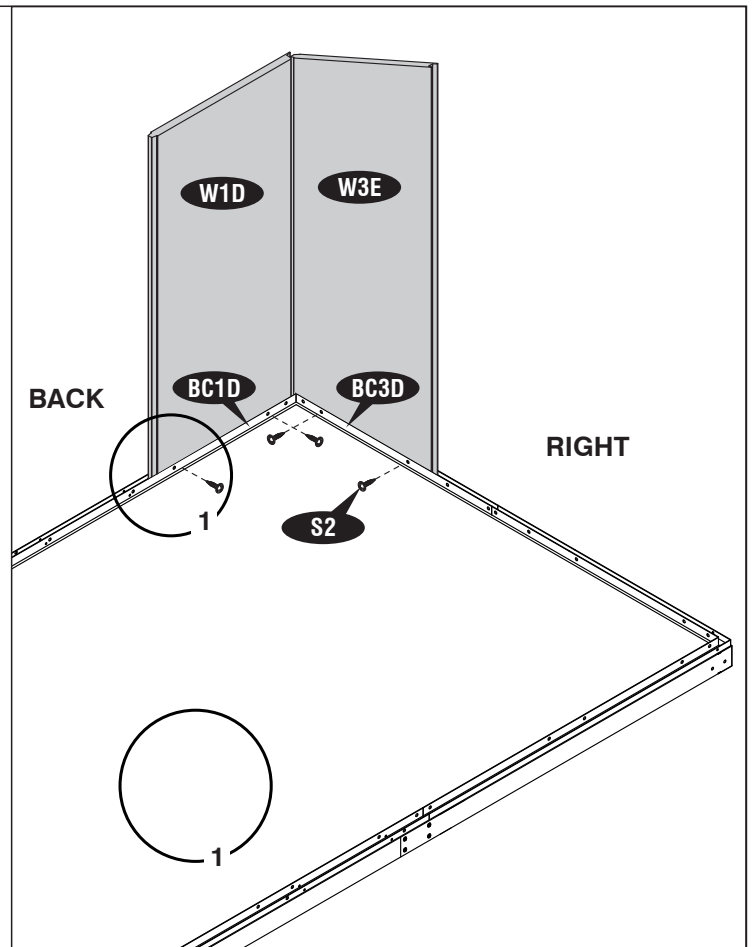


Fig. 1



10

IMPORTANT : USE HAND GLOVES TO PREVENT INJURY.

6

Add Two (W1D) for each Extension.

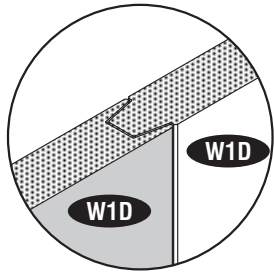


Fig. 1

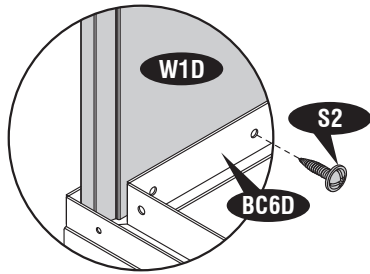
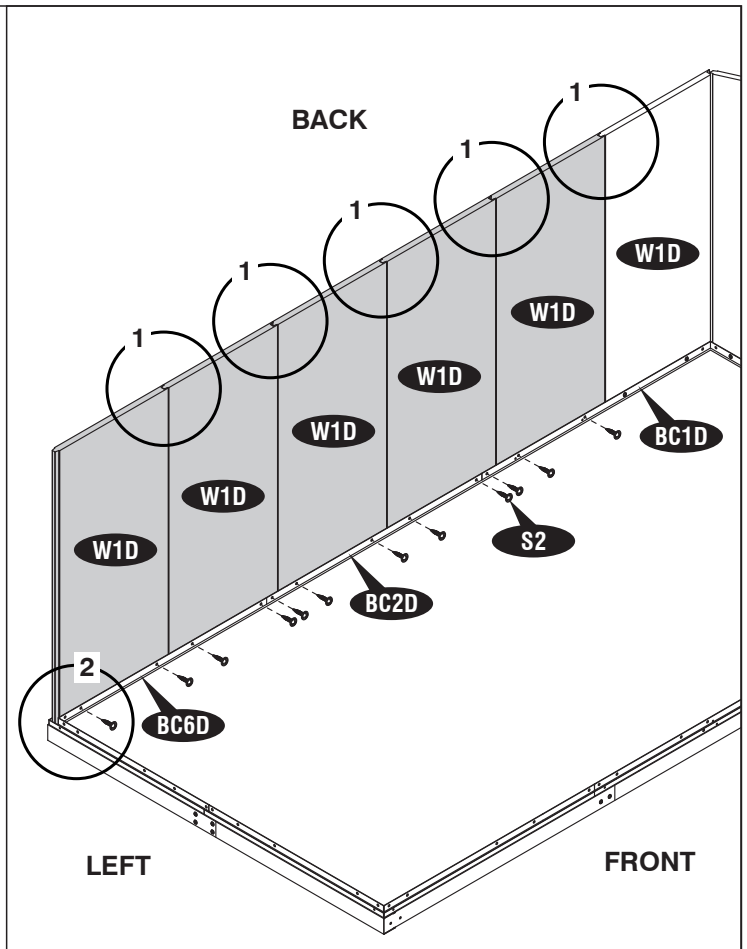


Fig. 2



7

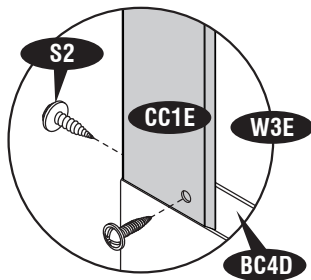


Fig. 1

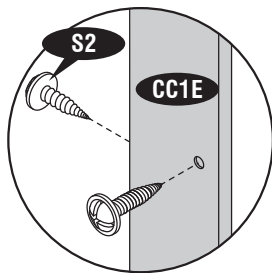


Fig. 2

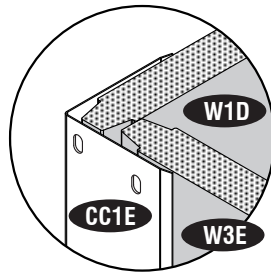
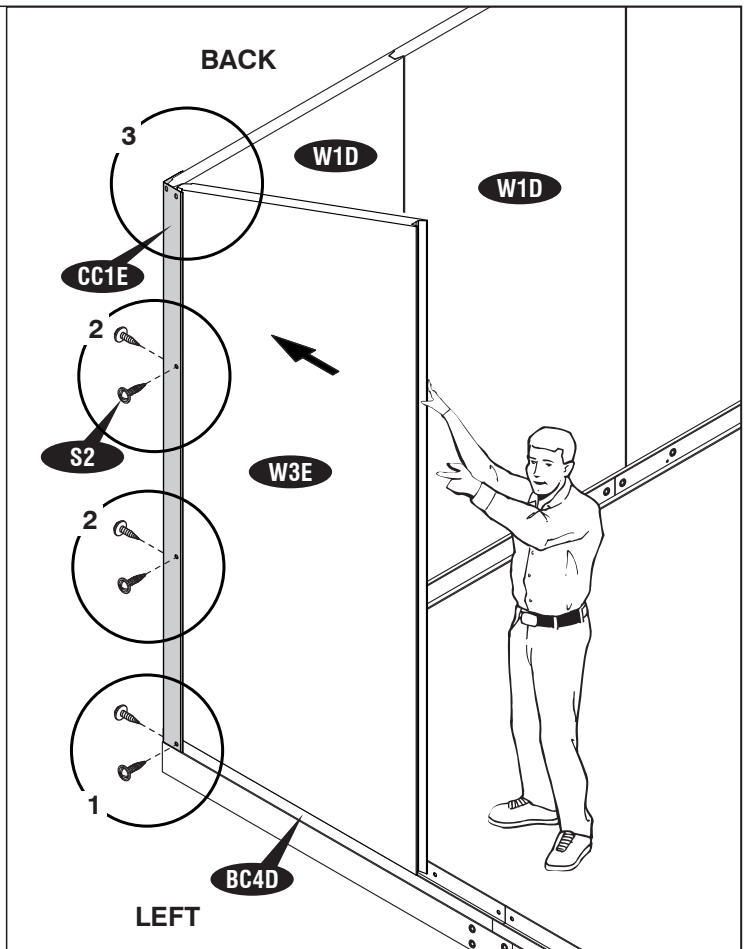


Fig. 3



11

IMPORTANT : USE HAND GLOVES TO PREVENT INJURY.

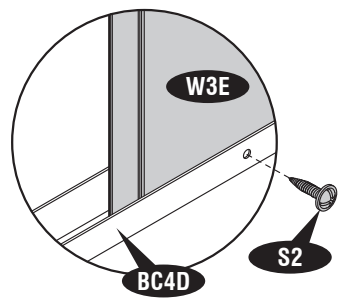
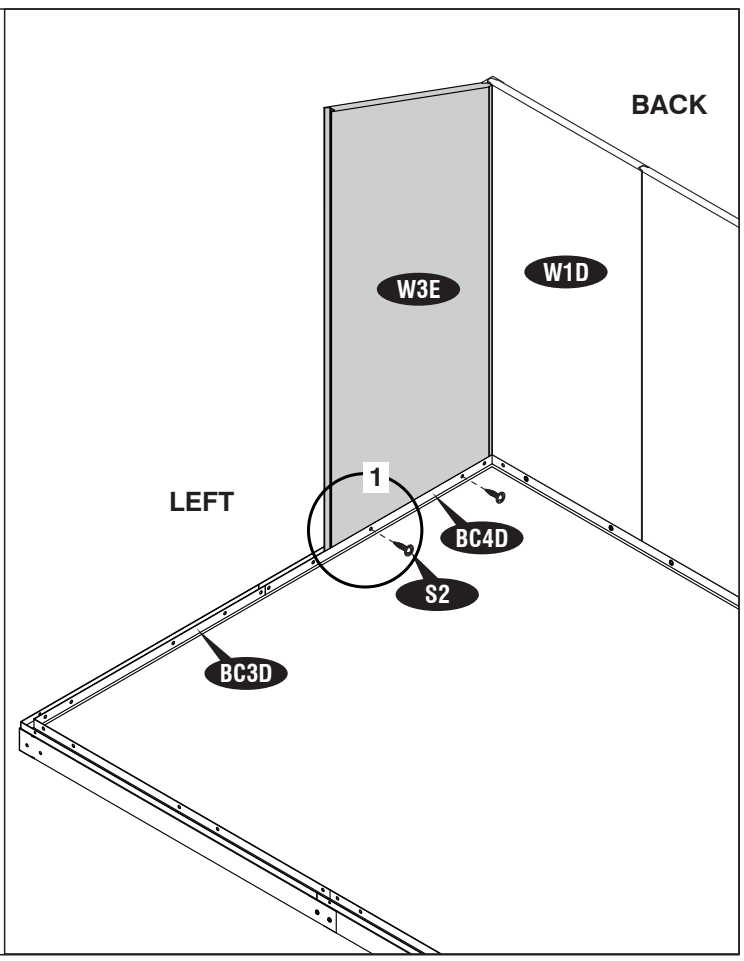


Fig. 1



Add One (TC10E) for each Extension.

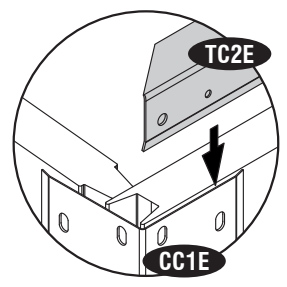


Fig. 1

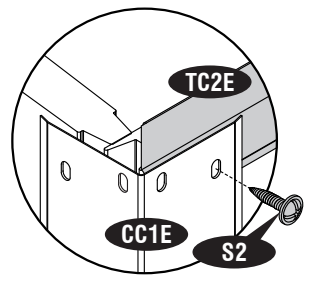


Fig. 2

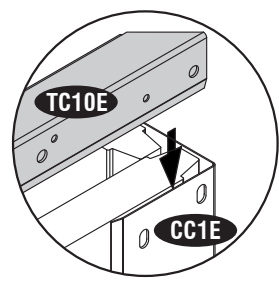


Fig. 3

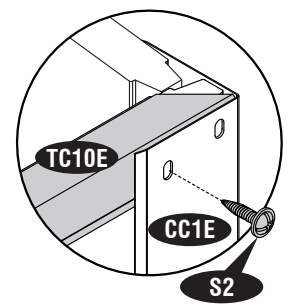
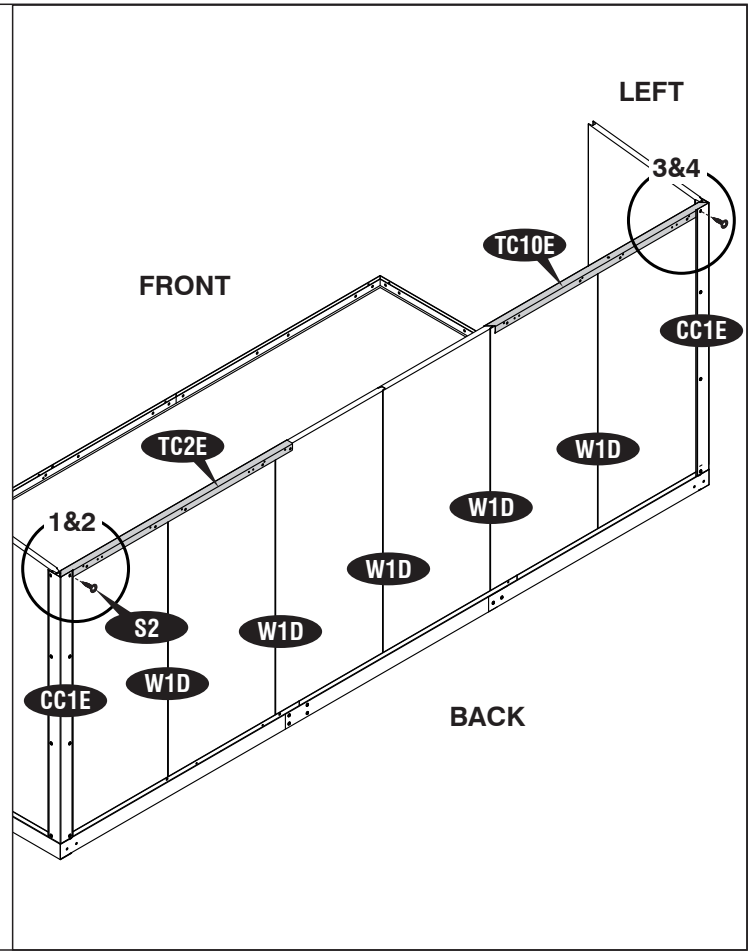


Fig. 4



IMPORTANT : USE HAND GLOVES TO PREVENT INJURY.

10



Note Push the wall from both side, and make sure the panels are fully inserted.

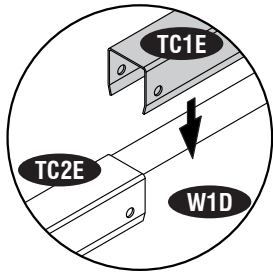


Fig. 1

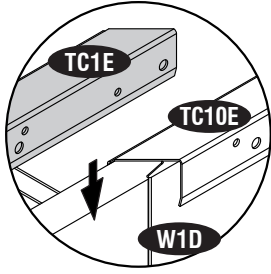


Fig. 2

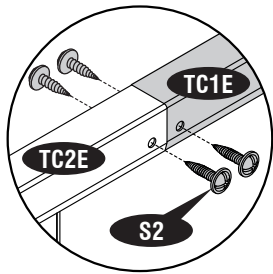


Fig. 3

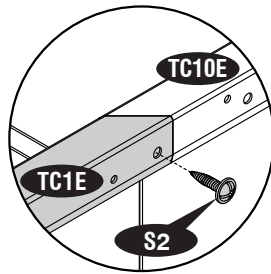
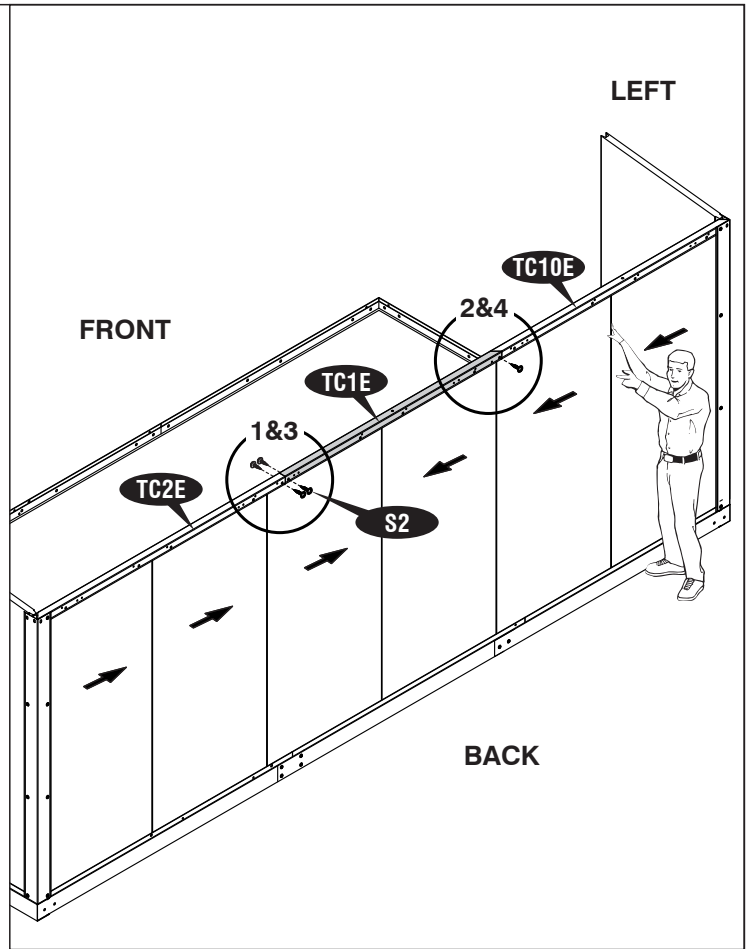
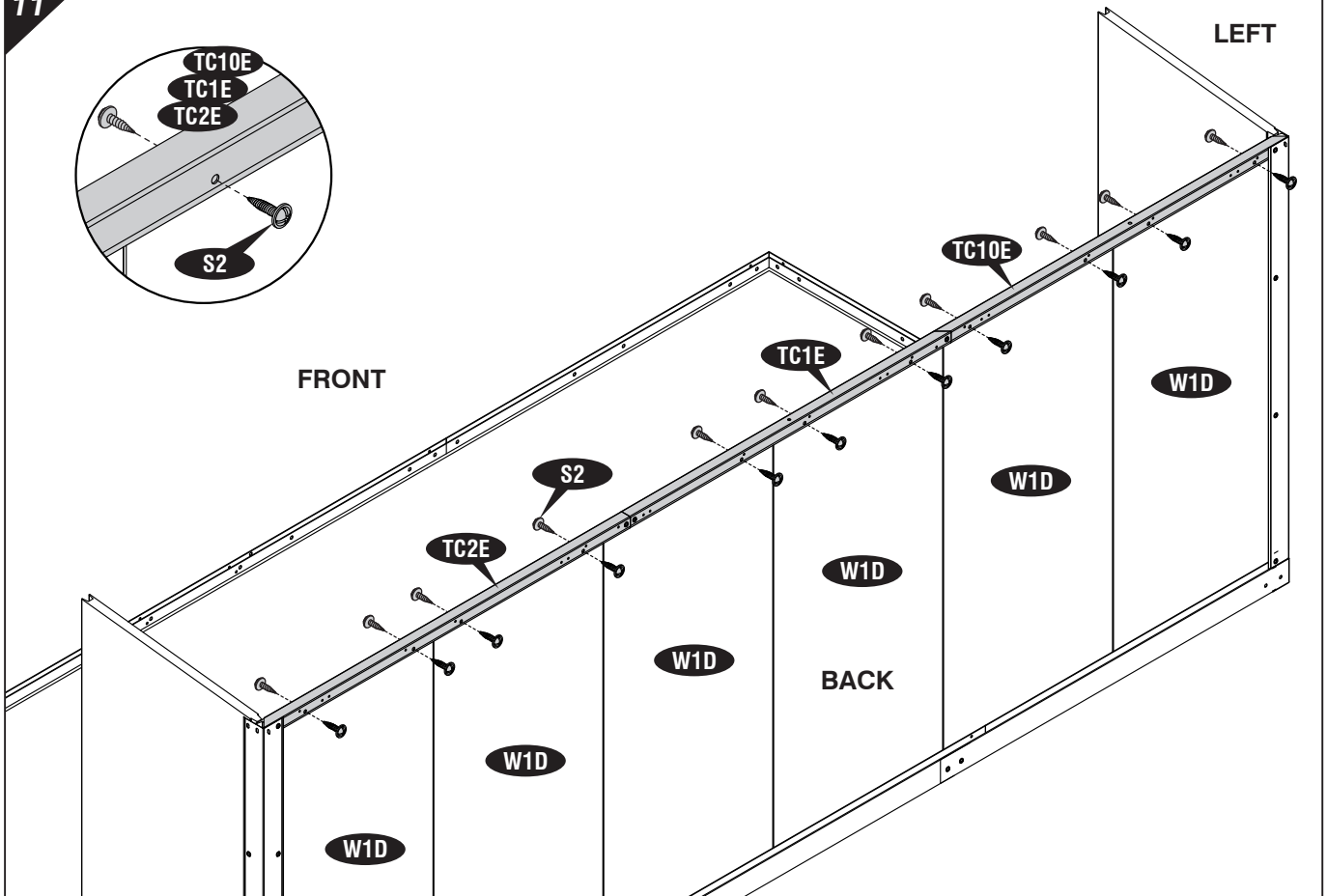
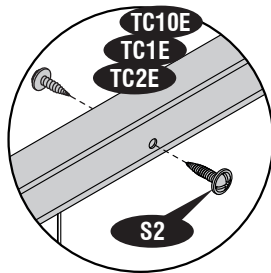


Fig. 4



11



13

IMPORTANT : USE HAND GLOVES TO PREVENT INJURY.

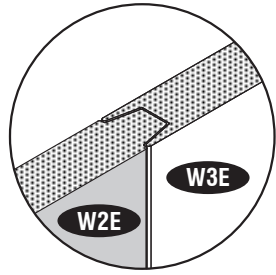


Fig. 1

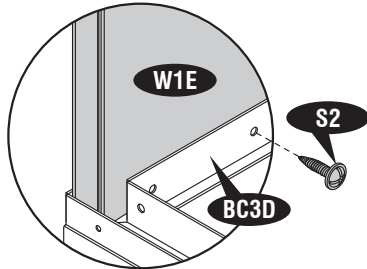


Fig. 2

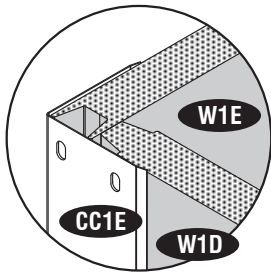
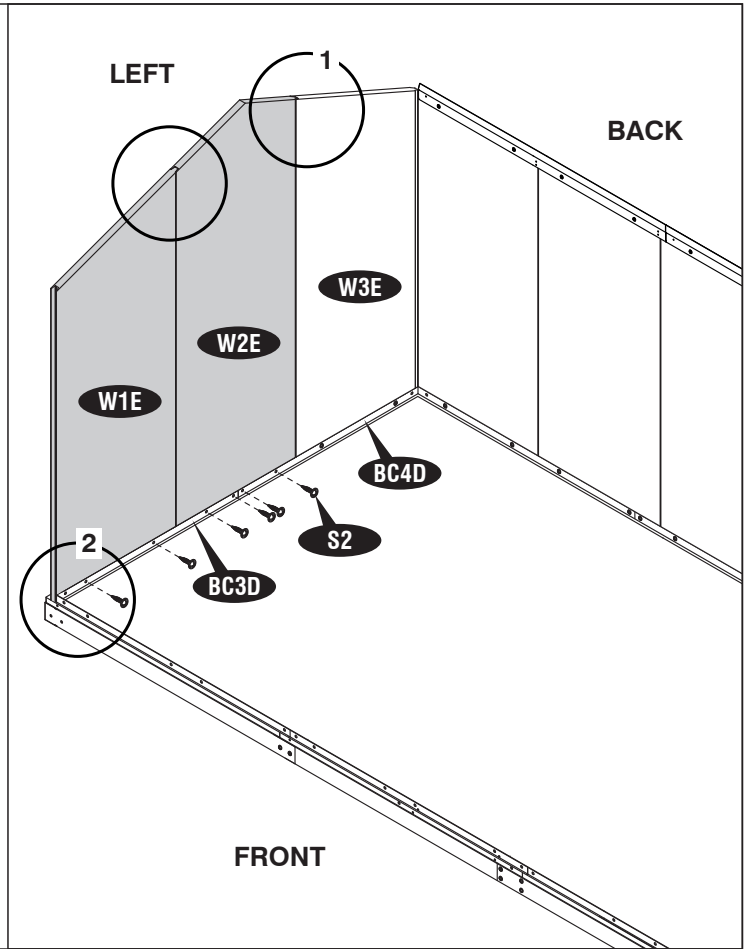


Fig. 1

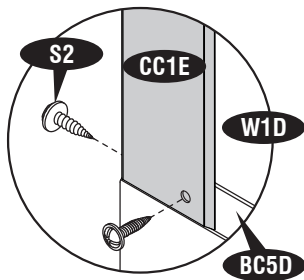


Fig. 2

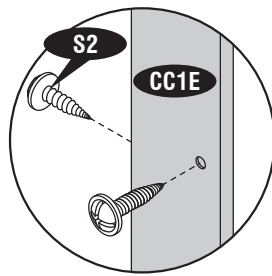
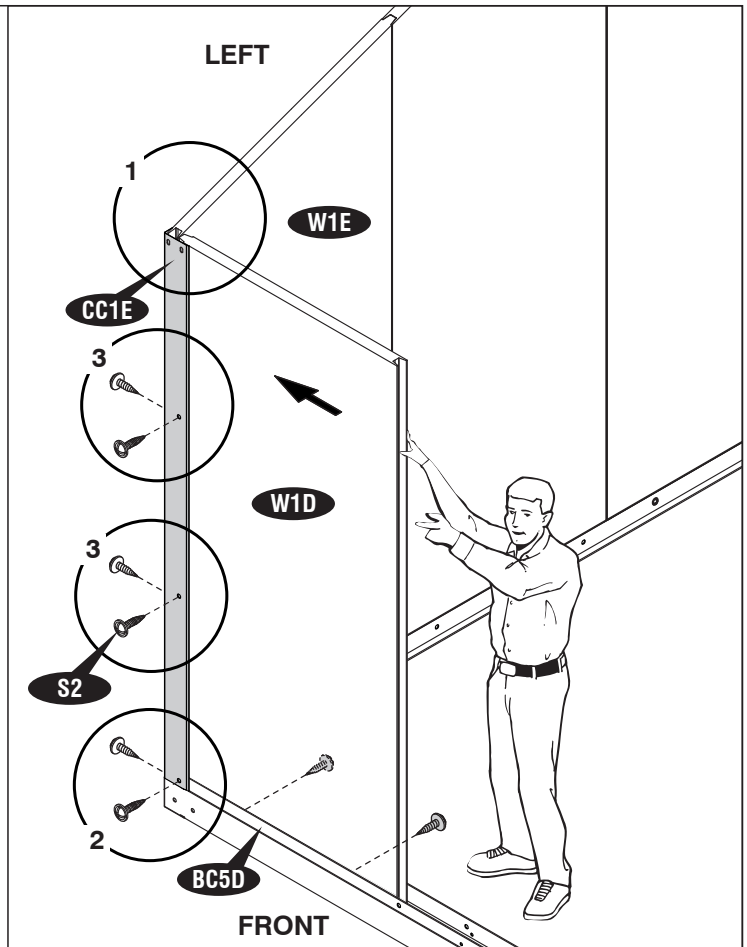
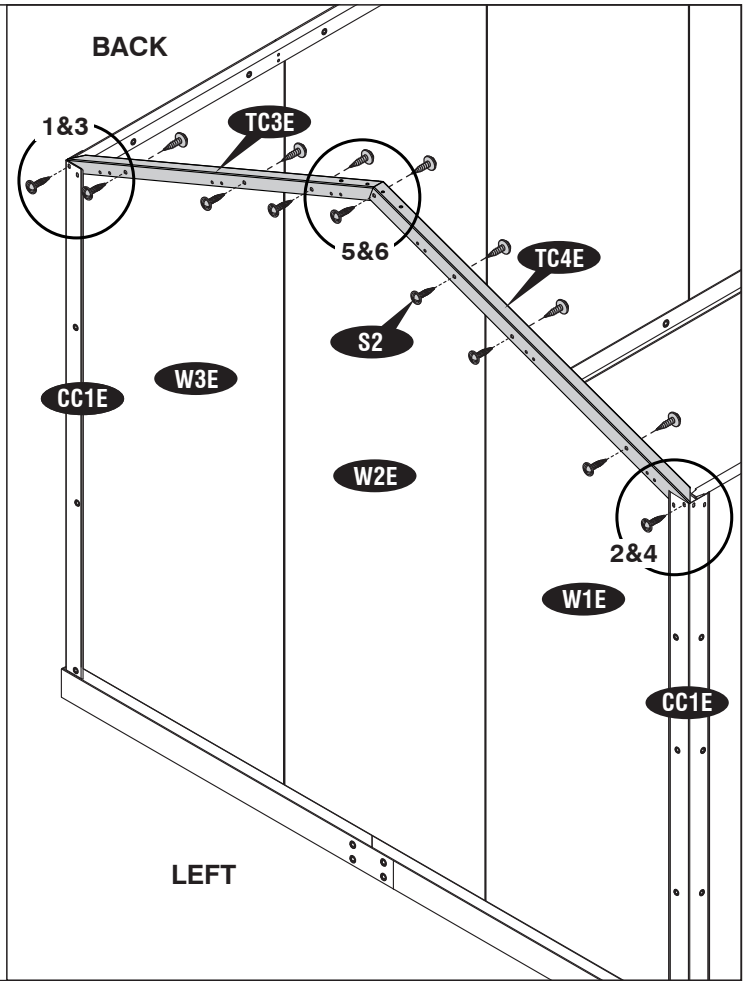
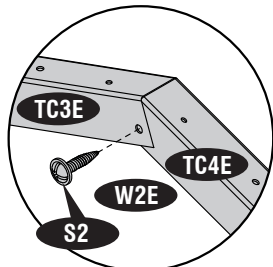
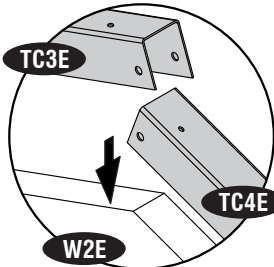
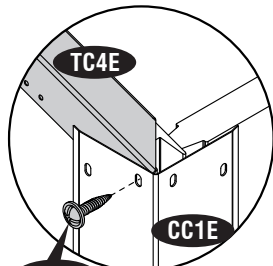
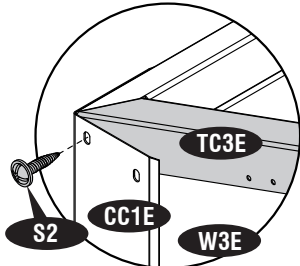
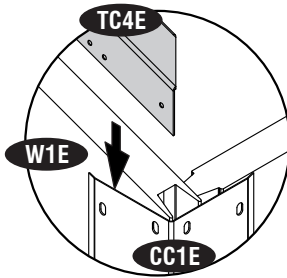
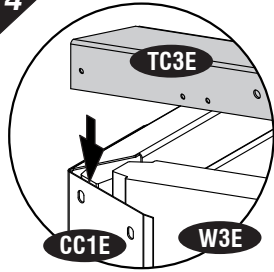


Fig. 3

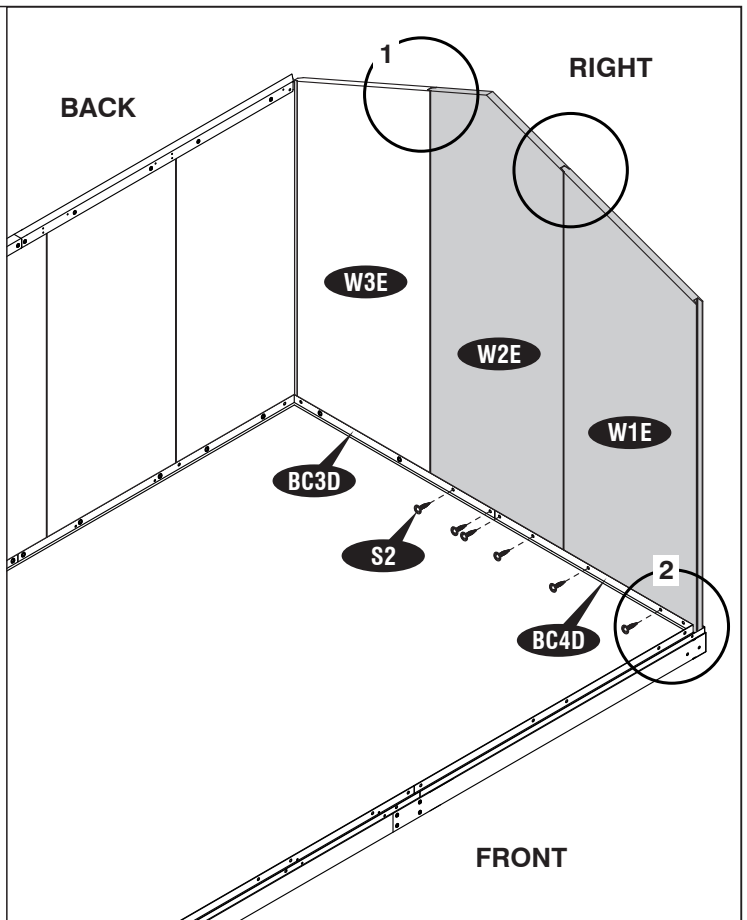
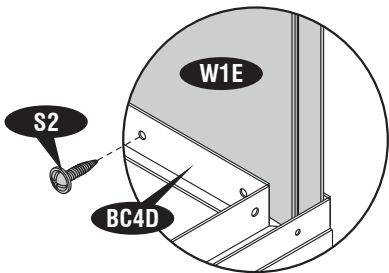
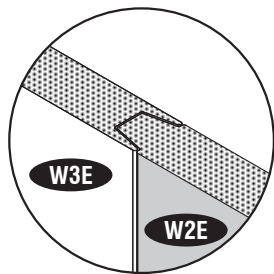


IMPORTANT : USE HAND GLOVES TO PREVENT INJURY.

14



15



15

IMPORTANT : USE HAND GLOVES TO PREVENT INJURY.

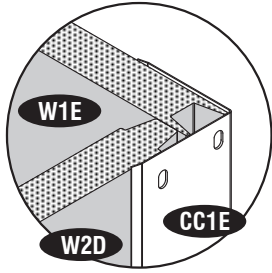


Fig. 1

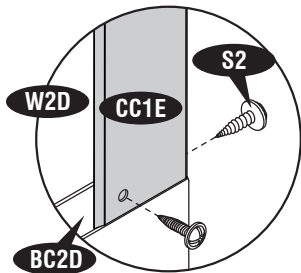


Fig. 2

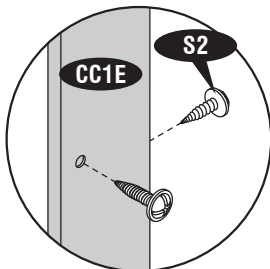


Fig. 3

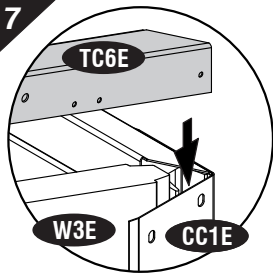
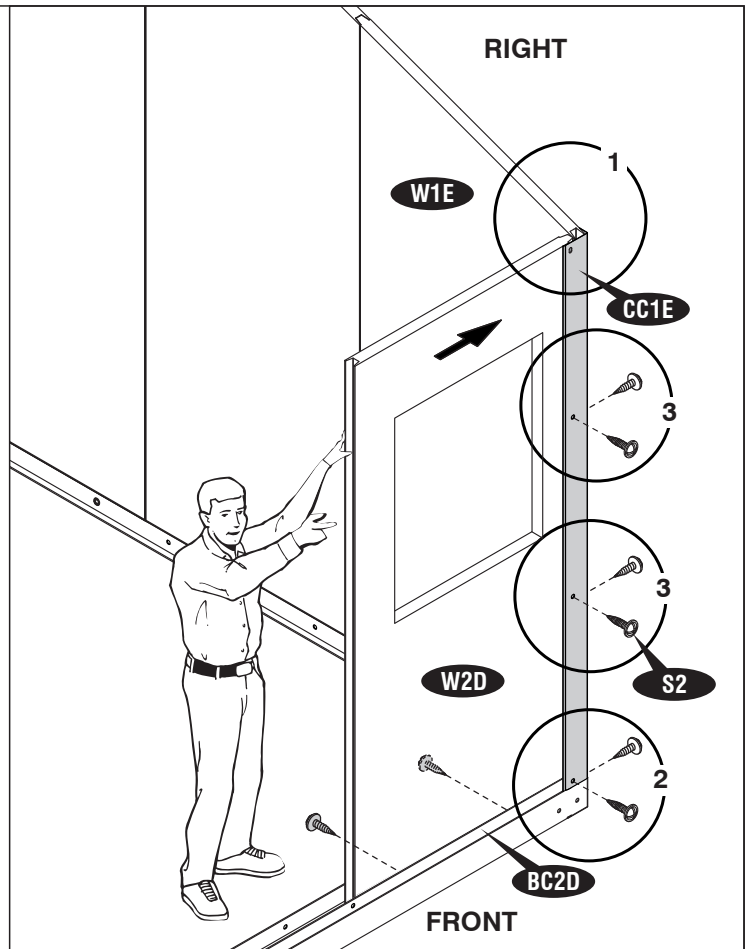


Fig. 1

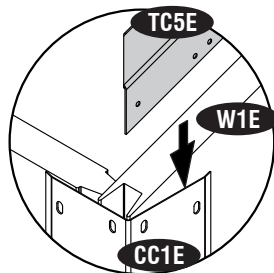


Fig. 2

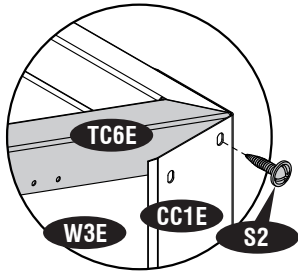


Fig. 3

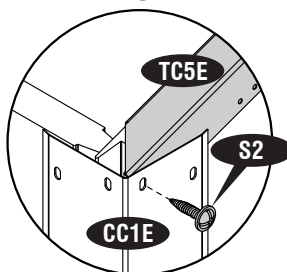


Fig. 4

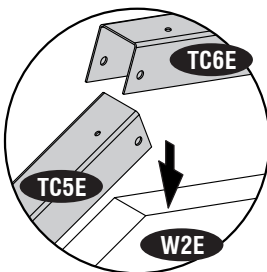


Fig. 5

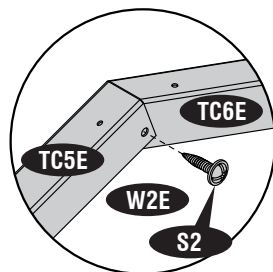
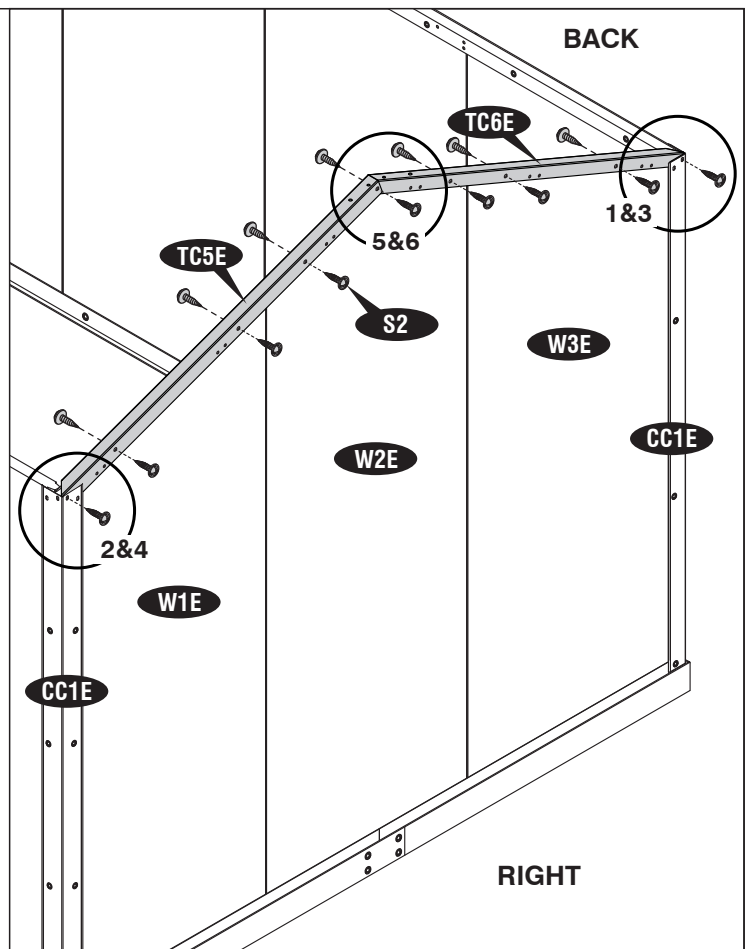


Fig. 6

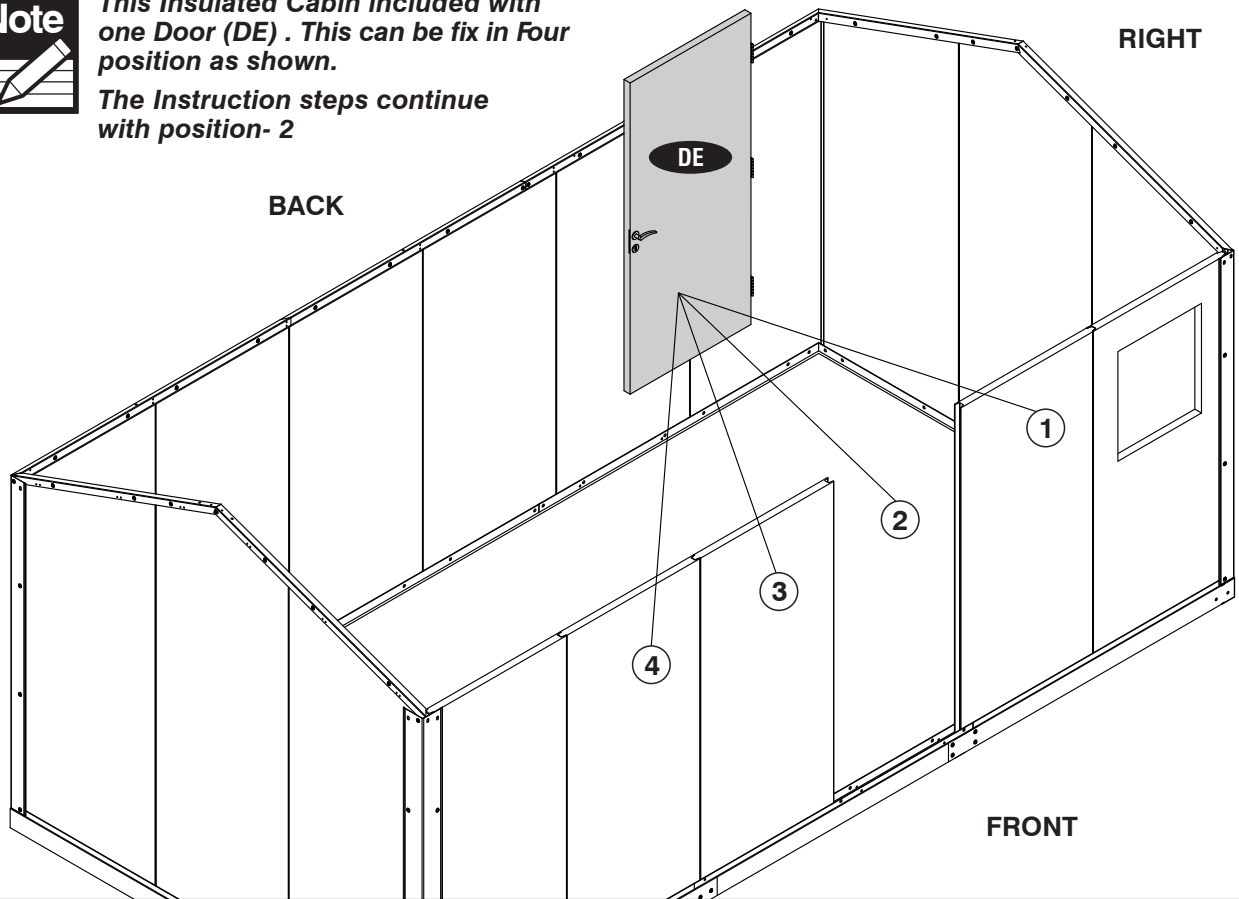


IMPORTANT : USE HAND GLOVES TO PREVENT INJURY.



Note This Insulated Cabin included with one Door (DE) . This can be fix in Four position as shown.

The Instruction steps continue with position- 2



18

Add Two (W1D) for each Extension.

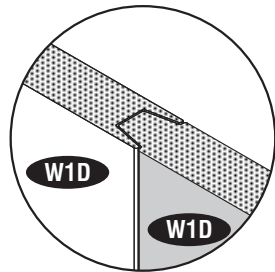


Fig. 1

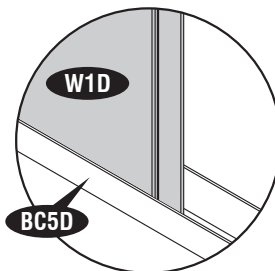
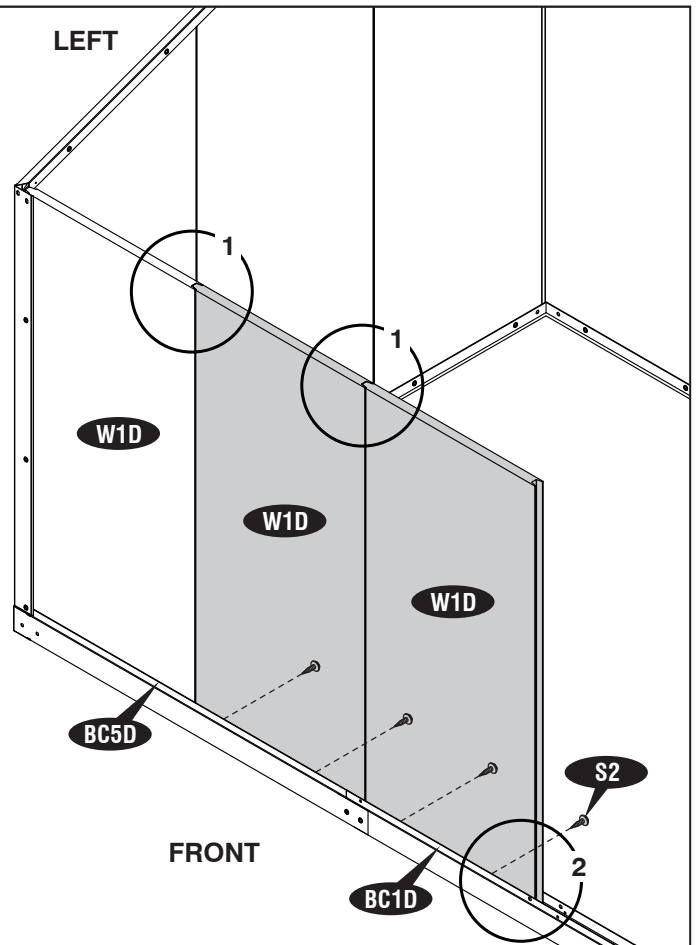


Fig. 2

LEFT



FRONT

17

IMPORTANT : USE HAND GLOVES TO PREVENT INJURY.

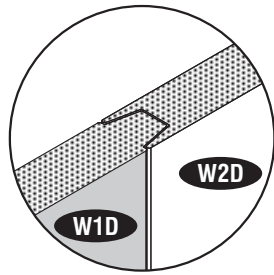


Fig. 1

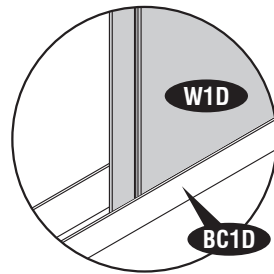
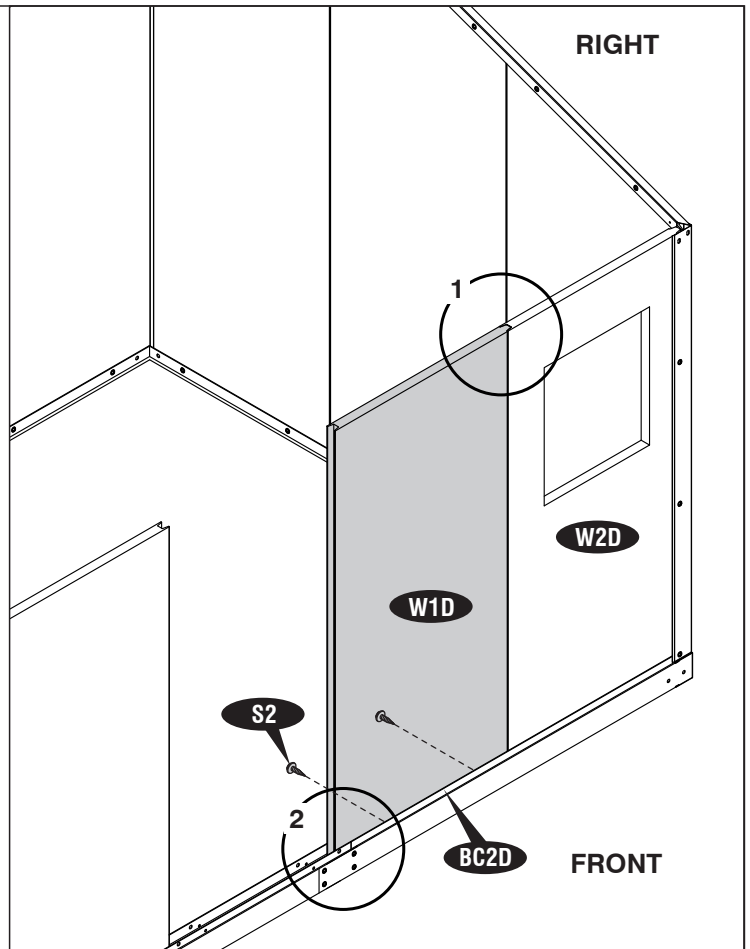


Fig. 2



Add One (TC9E) for each Extension.

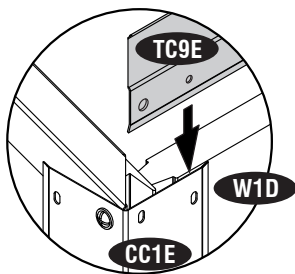


Fig. 1

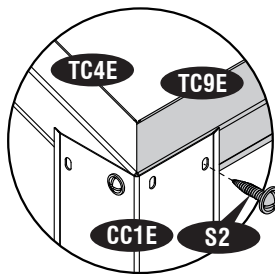


Fig. 2

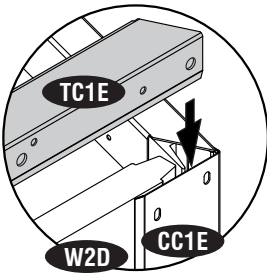


Fig. 3

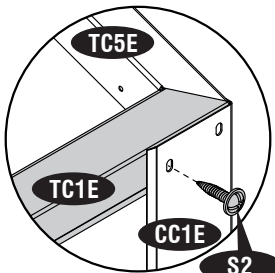
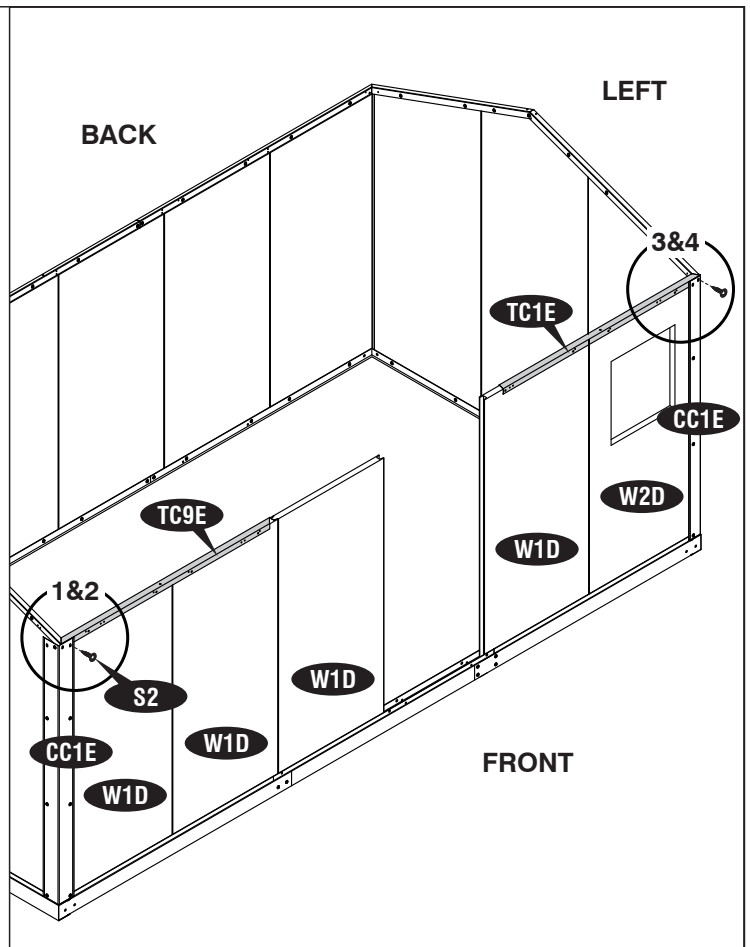


Fig. 4



IMPORTANT : USE HAND GLOVES TO PREVENT INJURY.

21



Note Push the wall from both side, and make sure the panels are fully inserted.

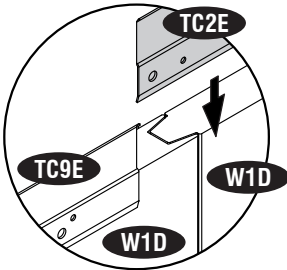


Fig. 1

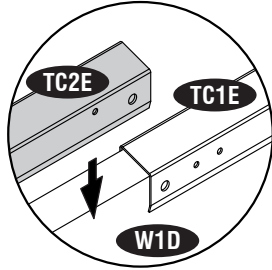


Fig. 2

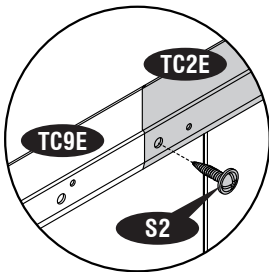


Fig. 3

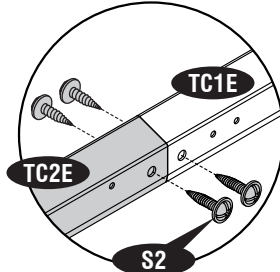
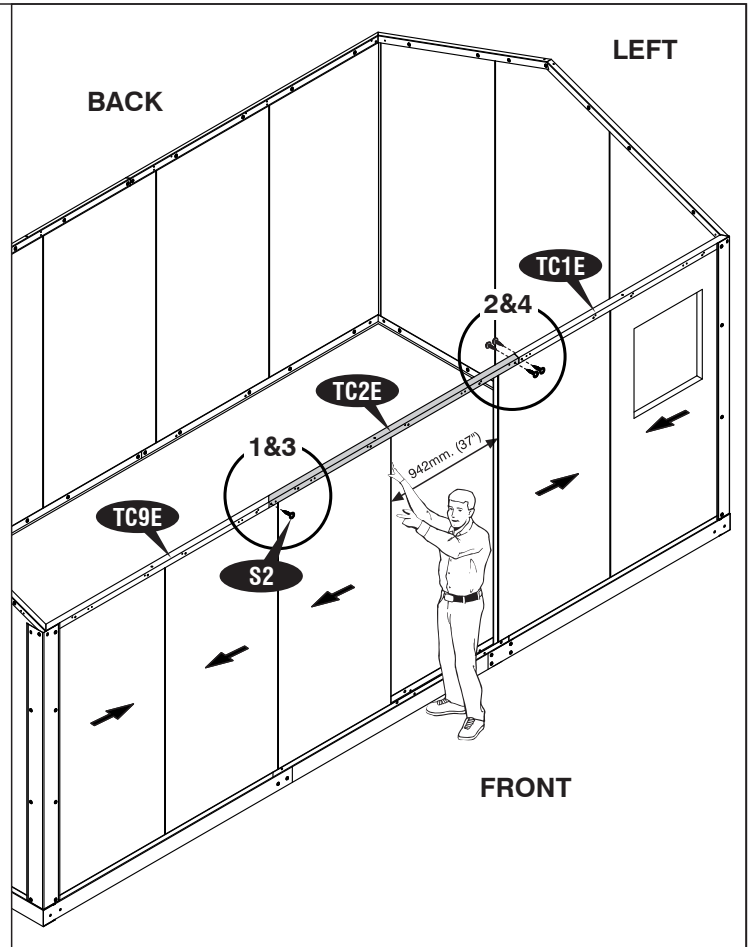
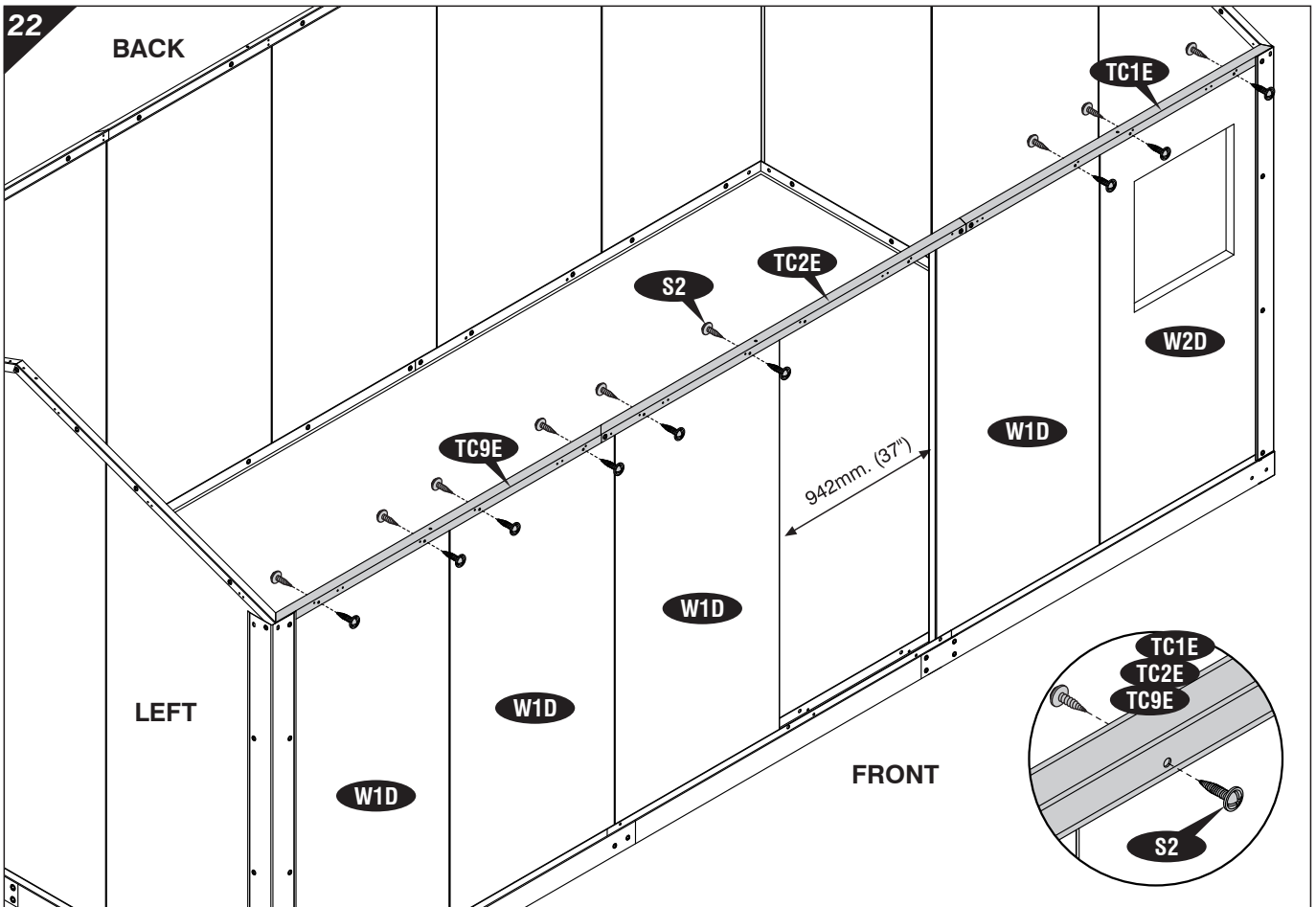


Fig. 4



22



19

IMPORTANT : USE HAND GLOVES TO PREVENT INJURY.

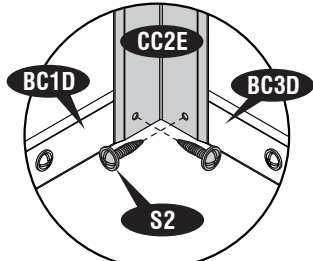


Fig. 1

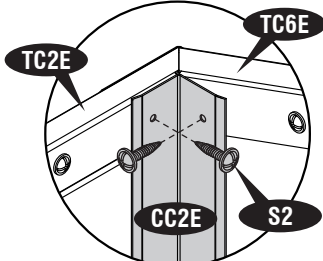


Fig. 2

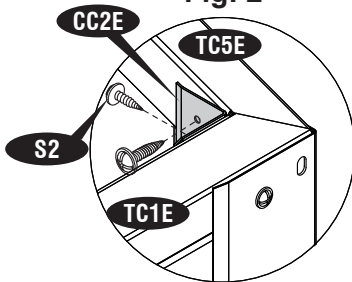


Fig. 3

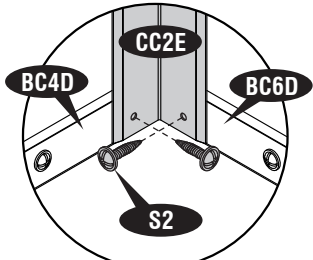
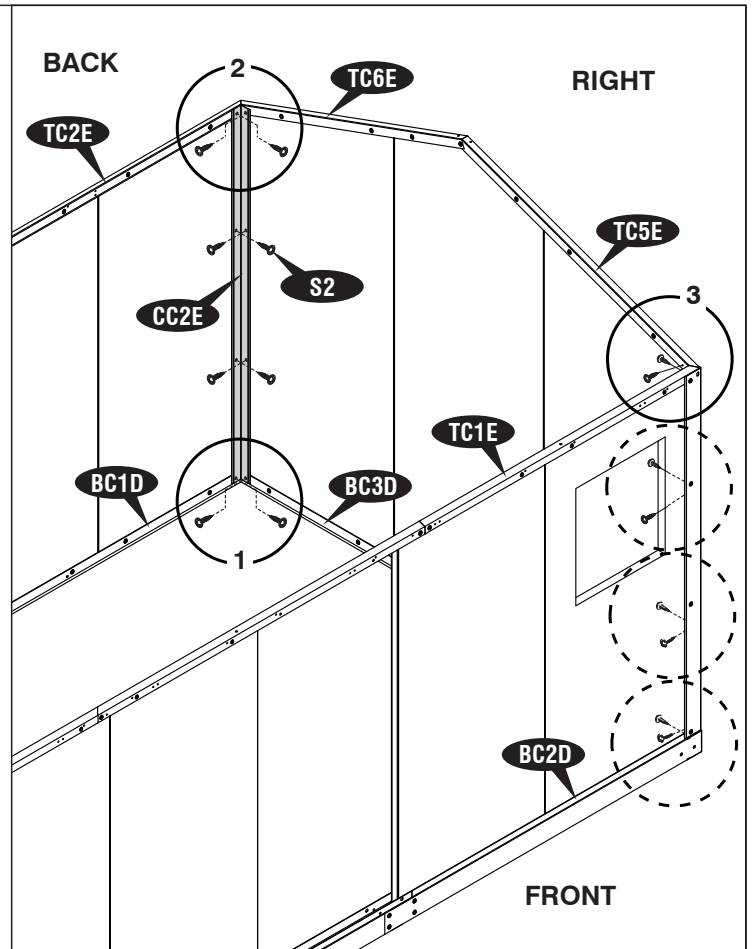


Fig. 1

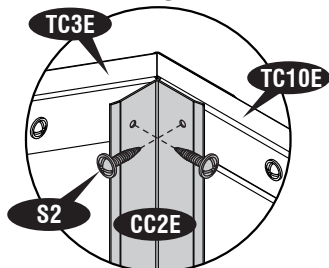


Fig. 2

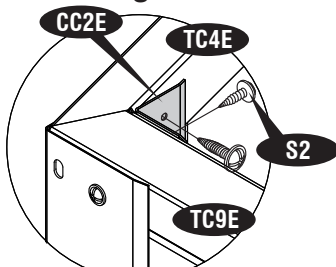
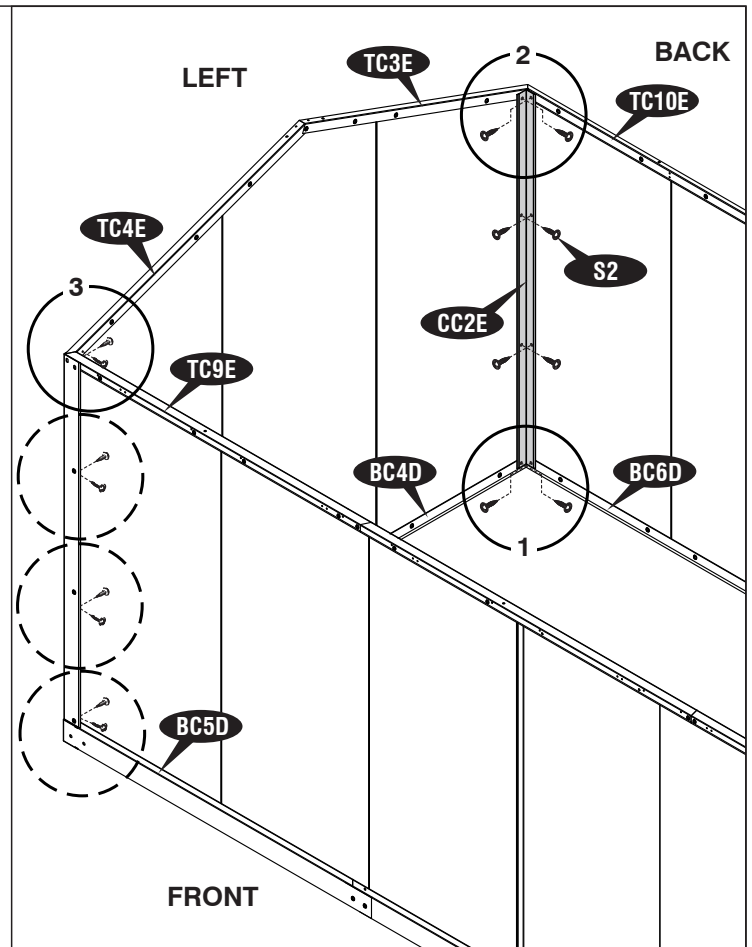
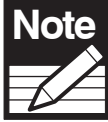


Fig. 3



IMPORTANT : USE HAND GLOVES TO PREVENT INJURY.



Note If the Door is assembling any other positions (1,3 or 4), Please follow page 46-47

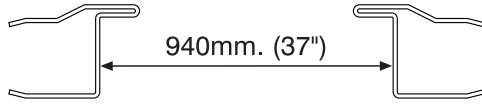


Fig. 1

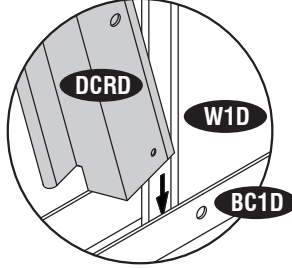


Fig. 2

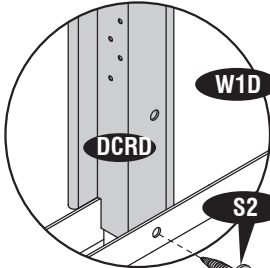


Fig. 3

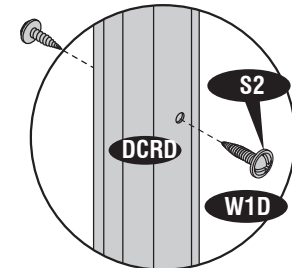
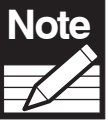
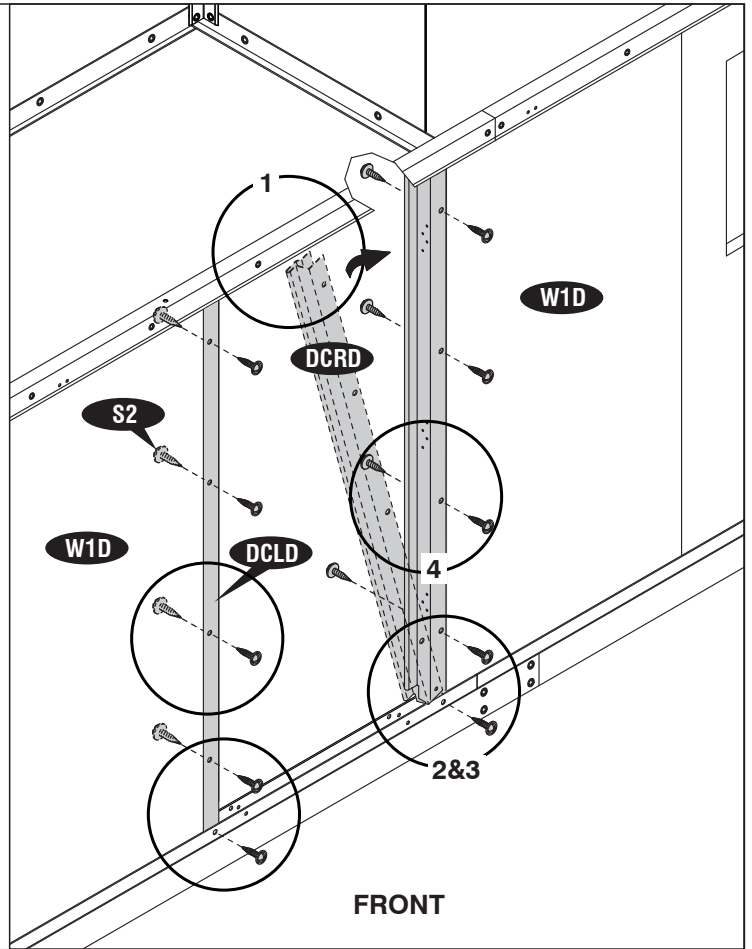


Fig. 4



Note If the Door is assembling any other positions (1,3 or 4), Please follow page 46-47

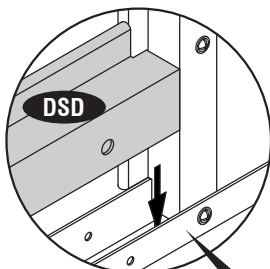


Fig. 1

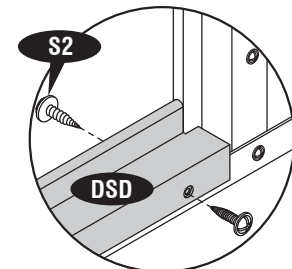
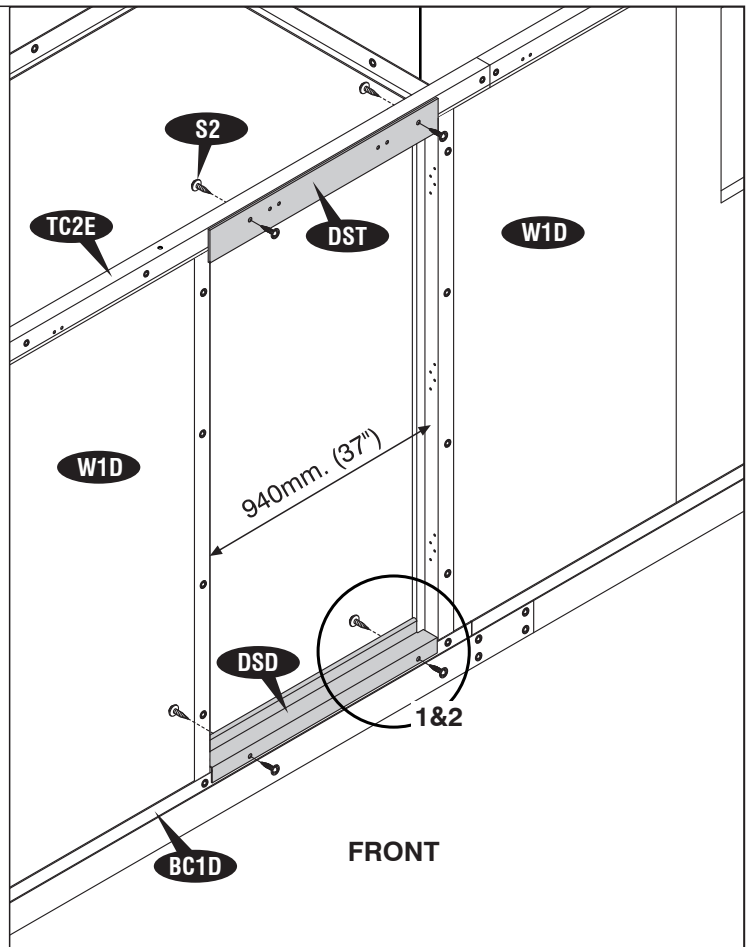
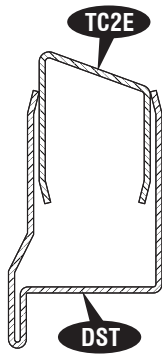


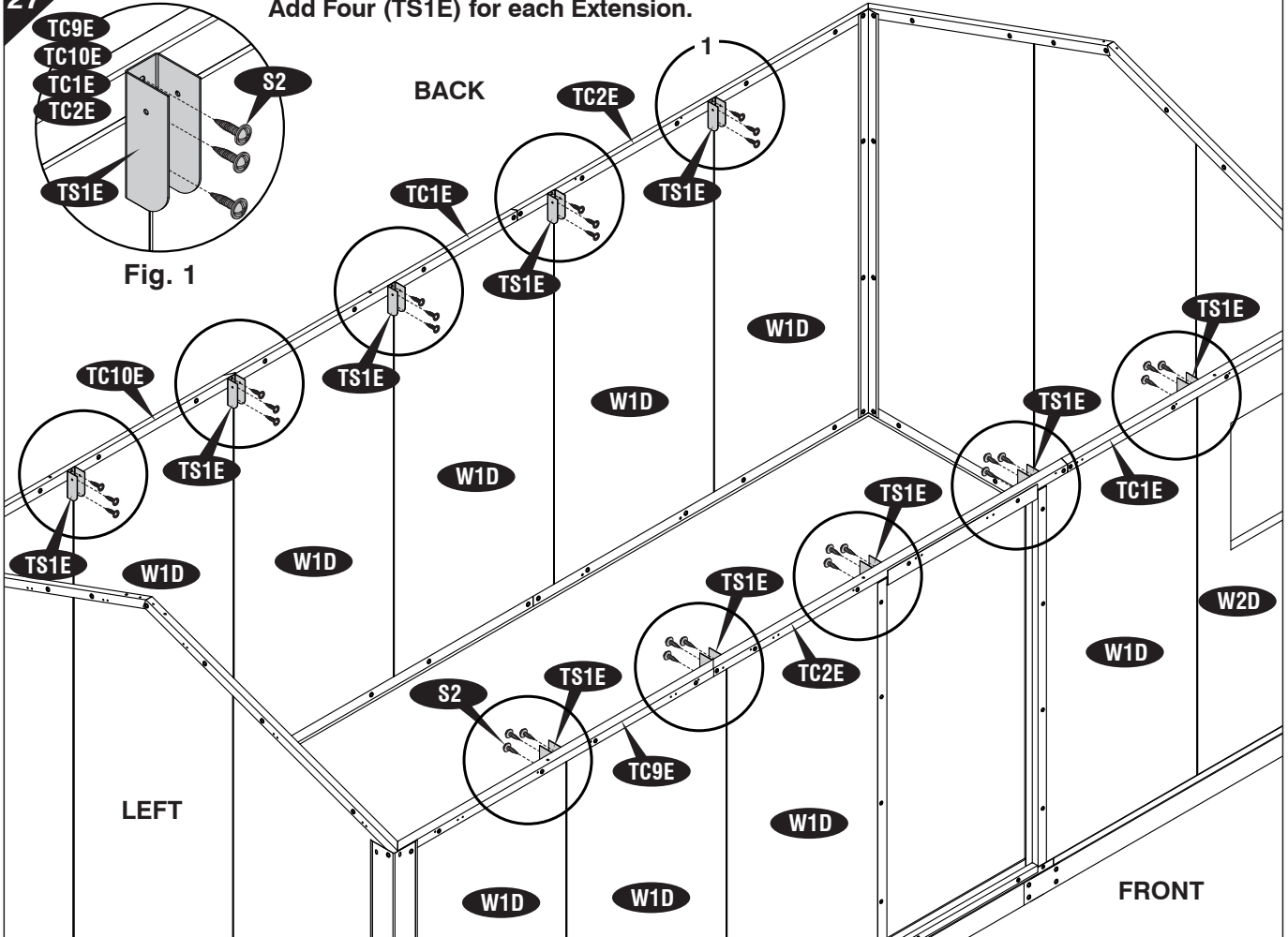
Fig. 2



IMPORTANT : USE HAND GLOVES TO PREVENT INJURY.

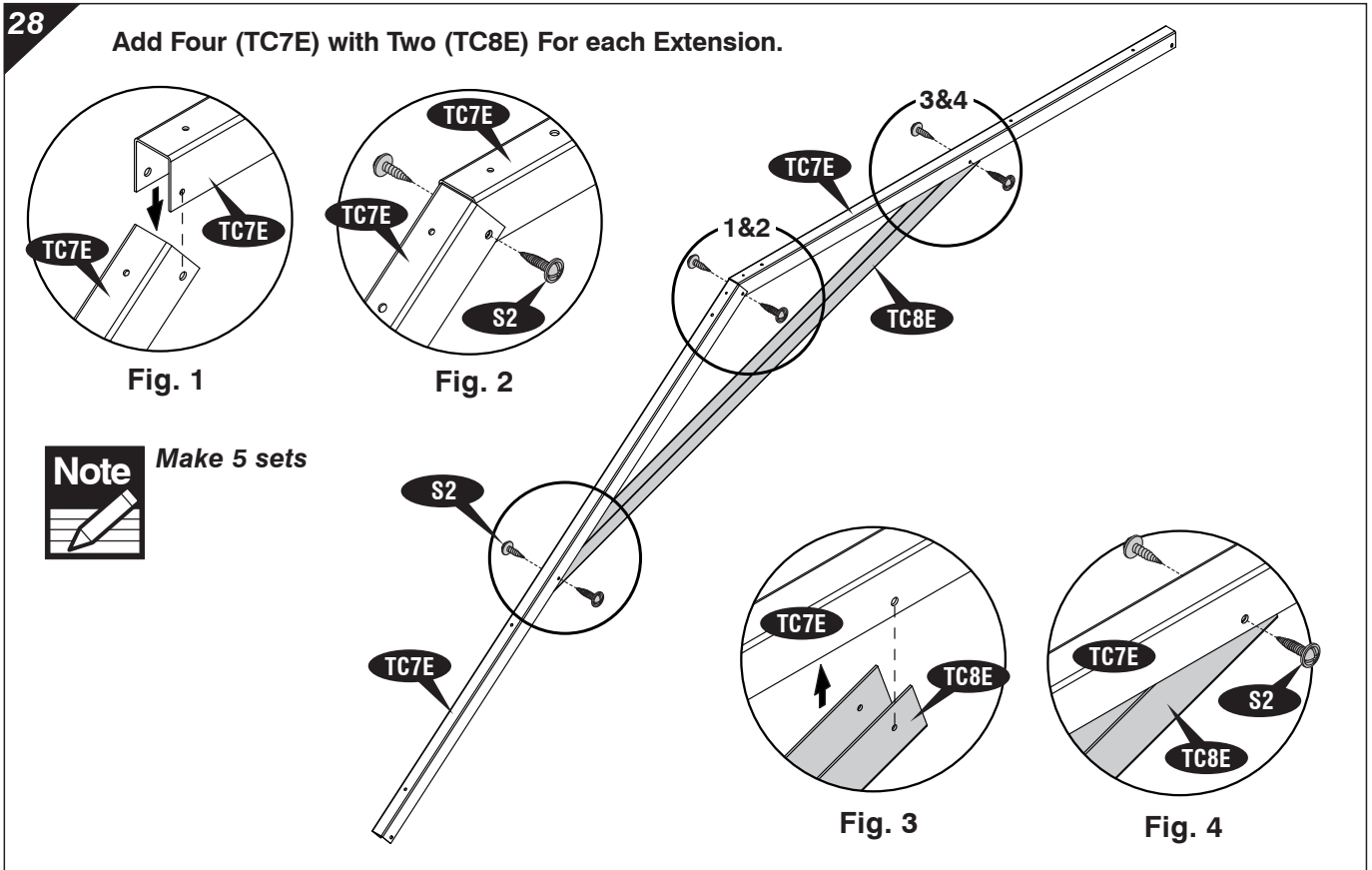
27

Add Four (TS1E) for each Extension.



28

Add Four (TC7E) with Two (TC8E) For each Extension.



IMPORTANT : USE HAND GLOVES TO PREVENT INJURY.

29

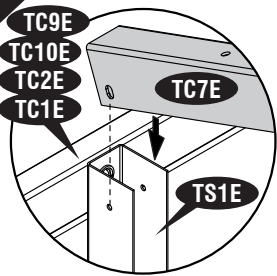


Fig. 1

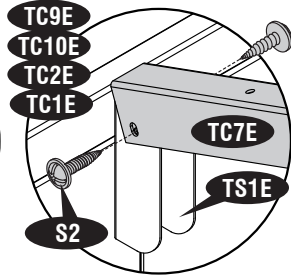
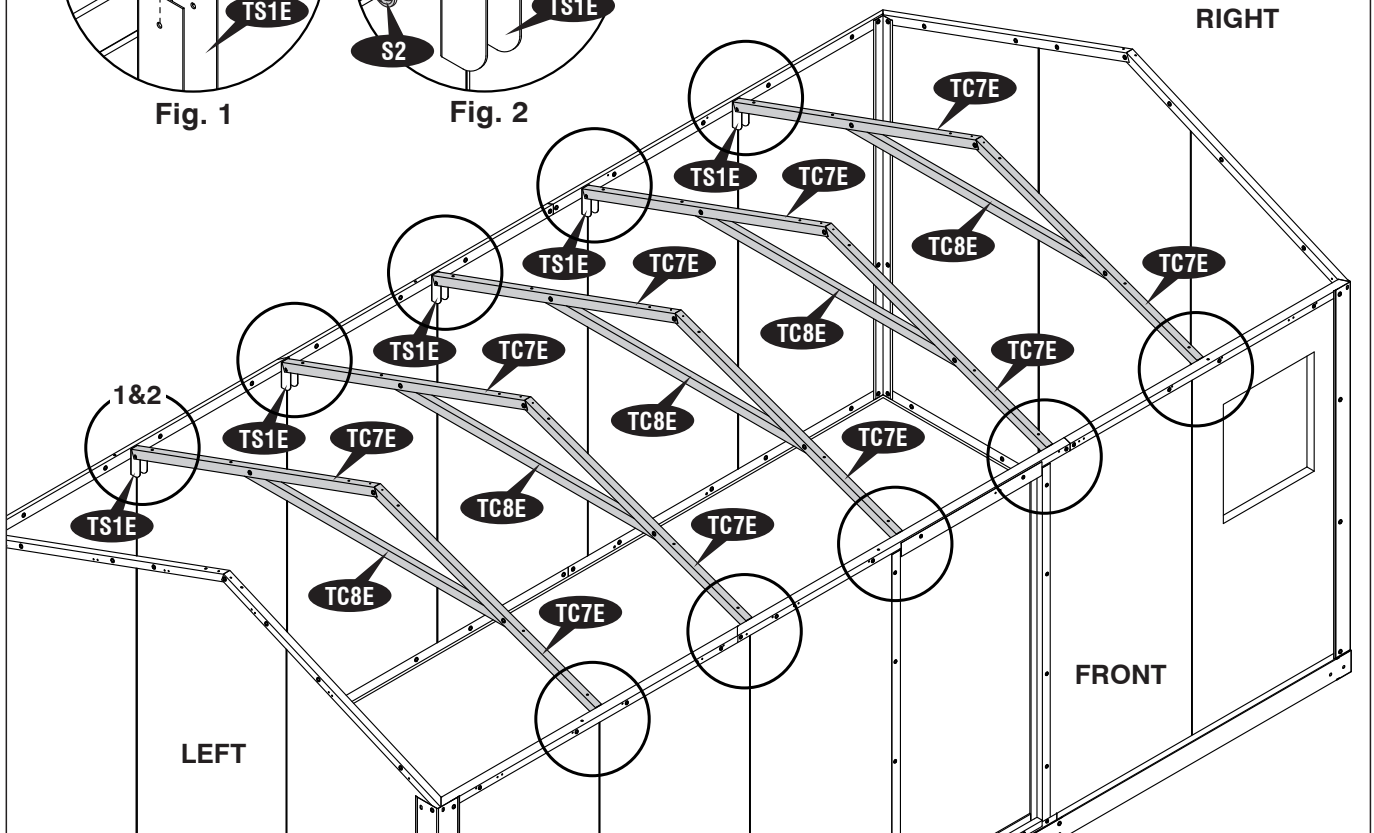


Fig. 2

Add Four (TC7E & TS1E) with Two (TC8E) For each Extension.



30

Add One (RFTE) for each Extension.

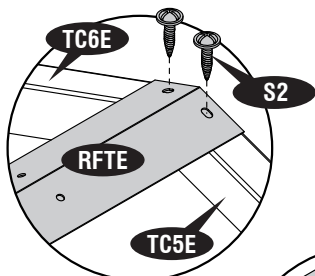


Fig. 1

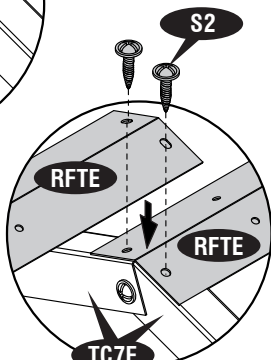


Fig. 2

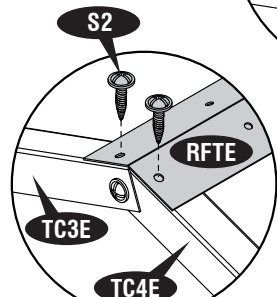
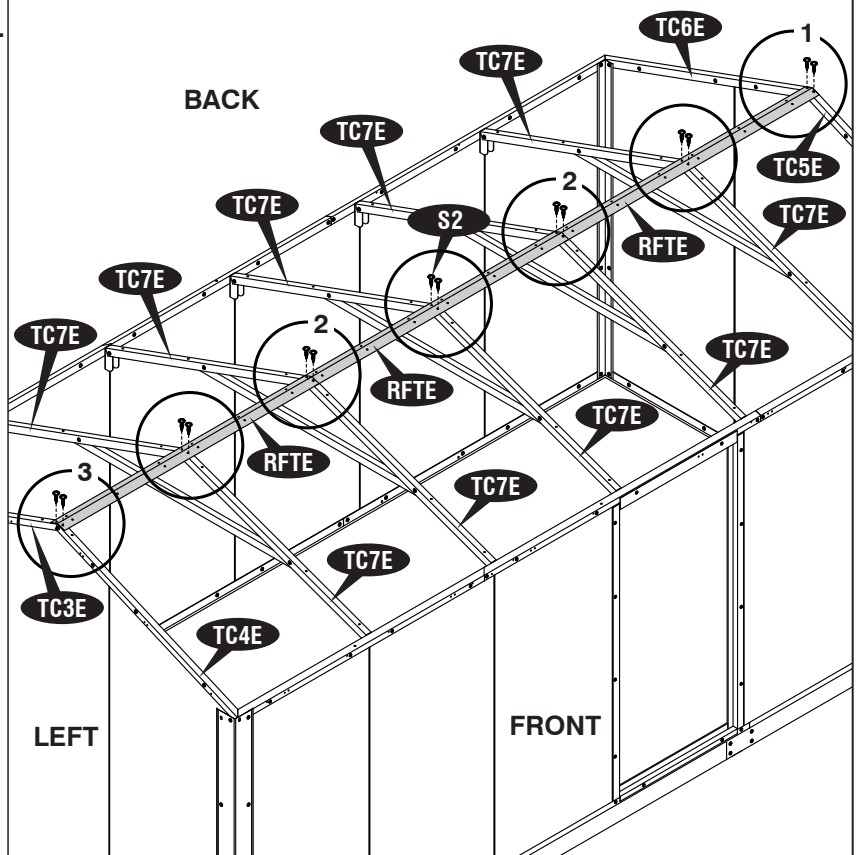


Fig. 3



23

IMPORTANT : USE HAND GLOVES TO PREVENT INJURY.

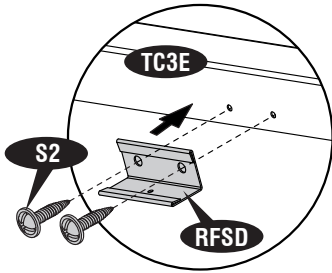


Fig. 1

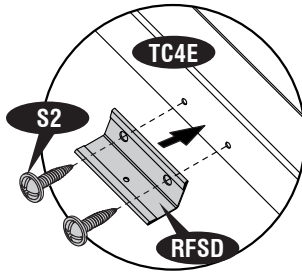


Fig. 2

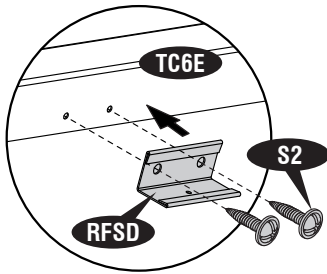
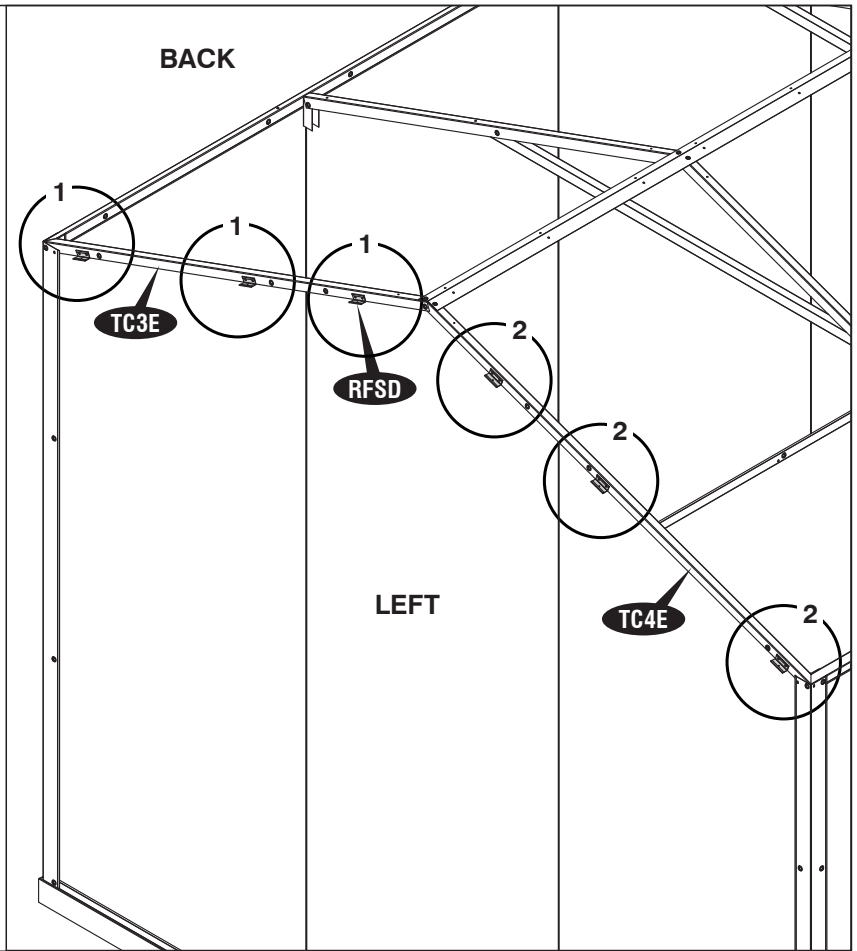


Fig. 1

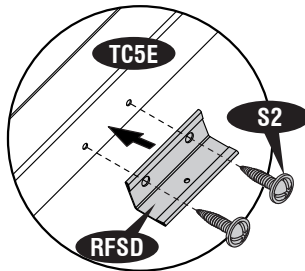
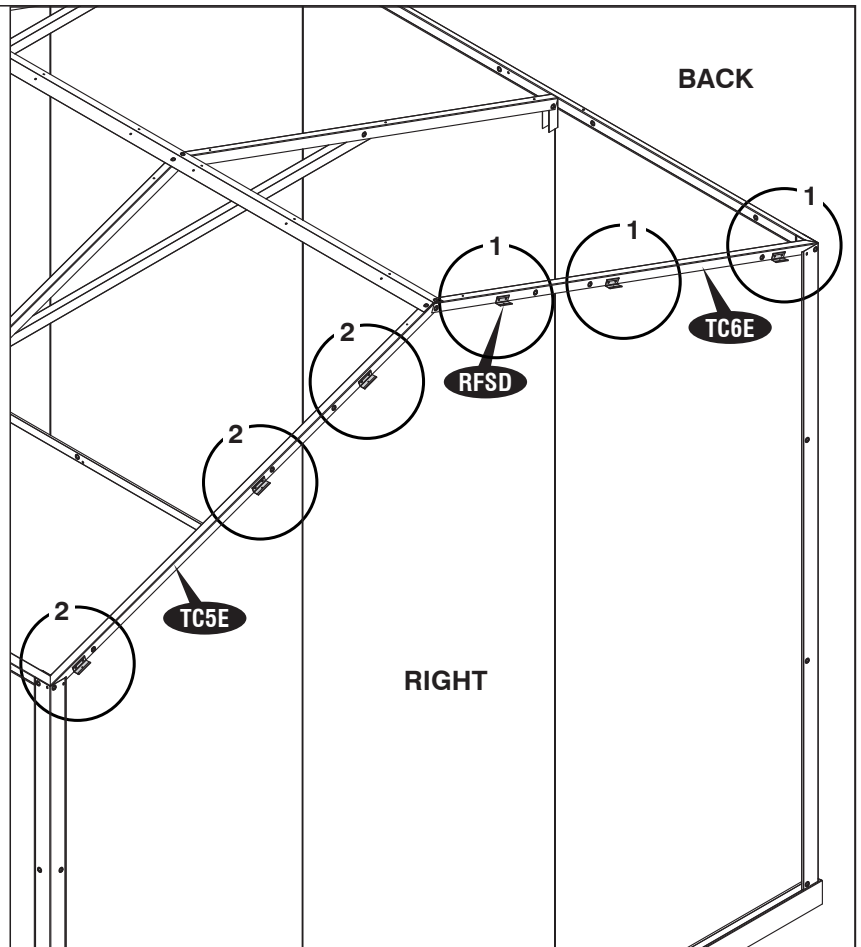


Fig. 2



IMPORTANT : USE HAND GLOVES TO PREVENT INJURY.

C. Roof Assembly

Parts needed:

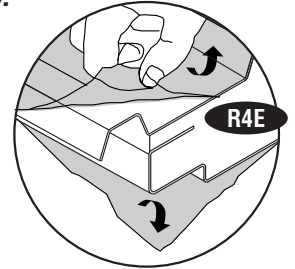
CODE	QTY	CODE	QTY
R1E	1	GBRE	1
R2E	2	GJE	2
R3E	1	GSE	8
R4E	1	PC1D	2
R5E	2	PC2D	2
R6E	1	P2BE	4
RF1E	1	DFA4	2
RF2E	1	DNS	2
RF3E	1	DCV4	2
RF4E	1	S2	116
RFLE	1	S3	4
RFRE	1	S8	4
GLE	1	S15	24
GRE	1	S16	44
GBLE	1	S10	44
		S21	18

Parts needed for each extension:

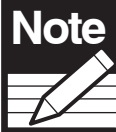
CODE	QTY	CODE	QTY
R2E	2	GSE	4
R5E	2	S2	50
RF5E	1	S16	16
G1E	1	S10	16
G2E	1	S21	22
GJE	2		



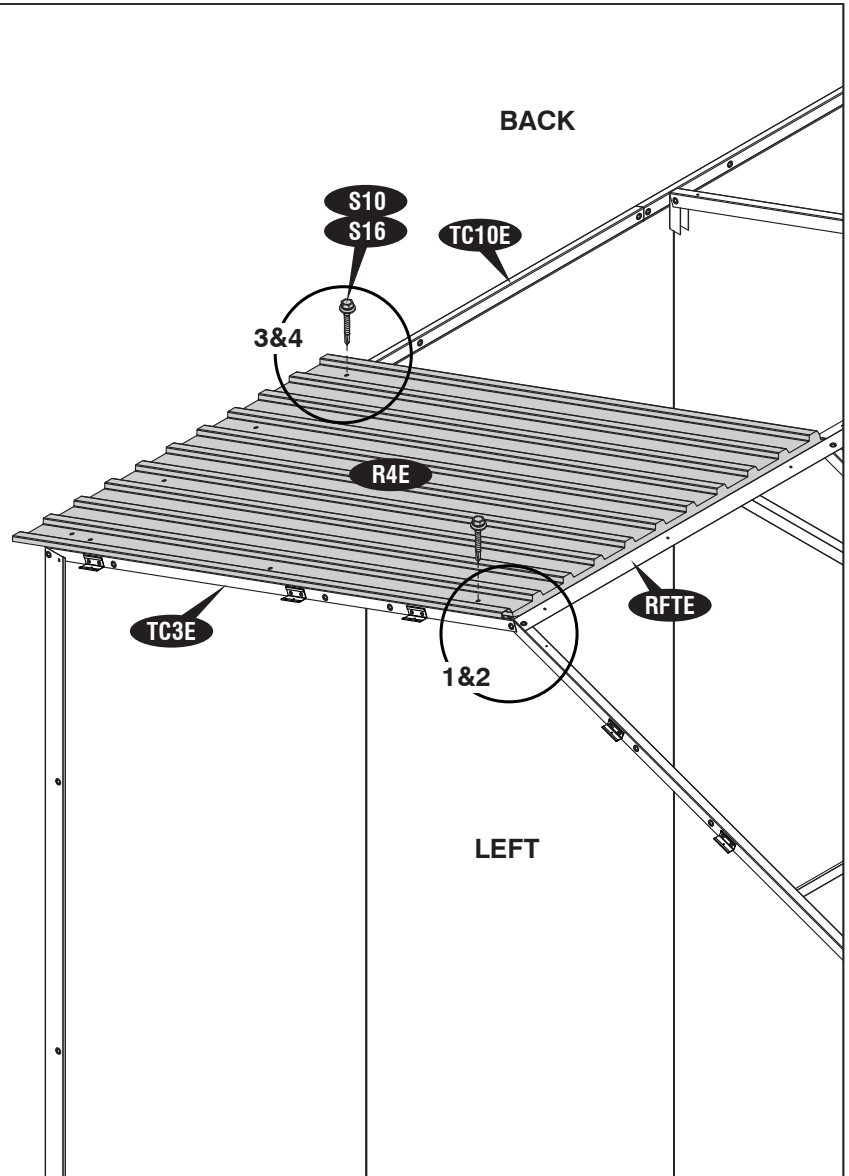
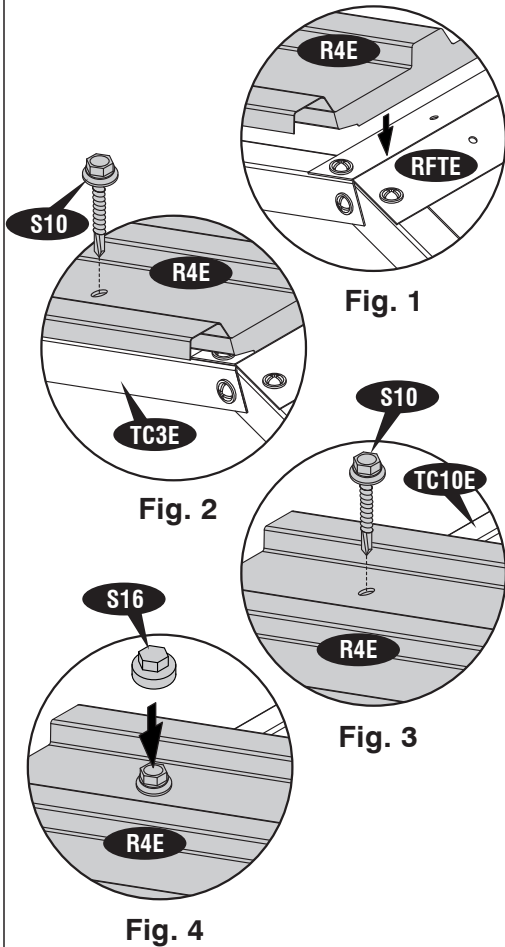
Note Remove the protective films before start assembly.



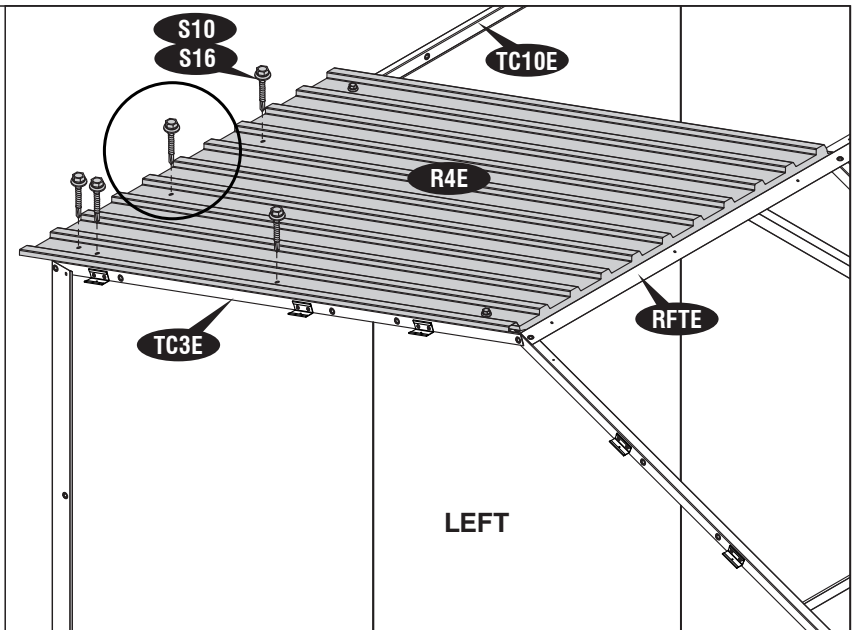
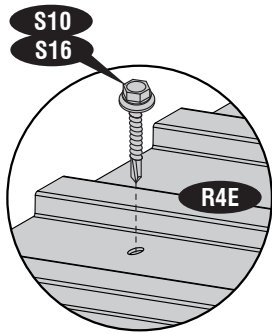
1



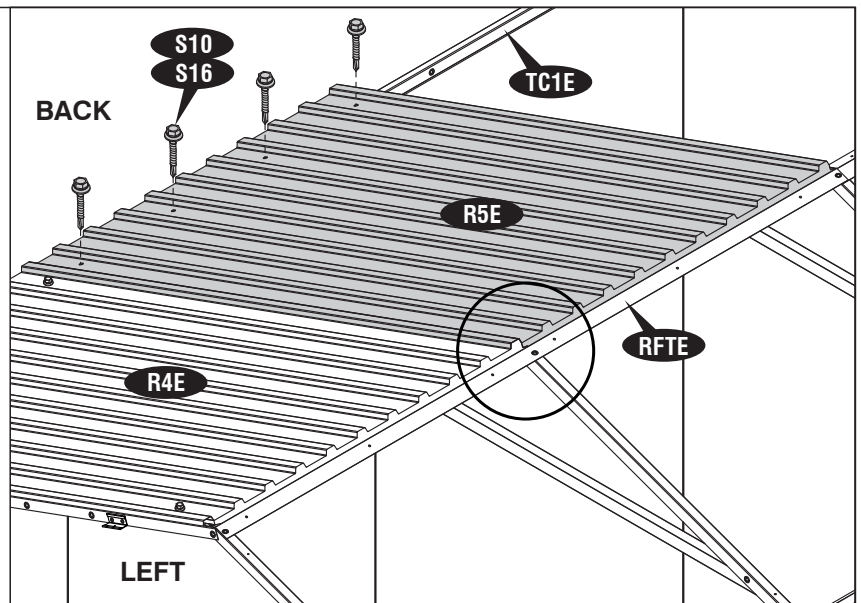
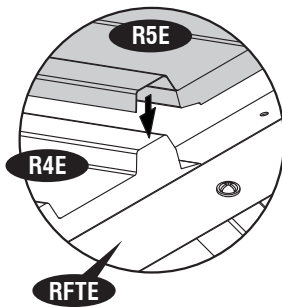
Note On top 'U' channel these 2 holes are Pre-drilled for reference, align the holes and secure.



2

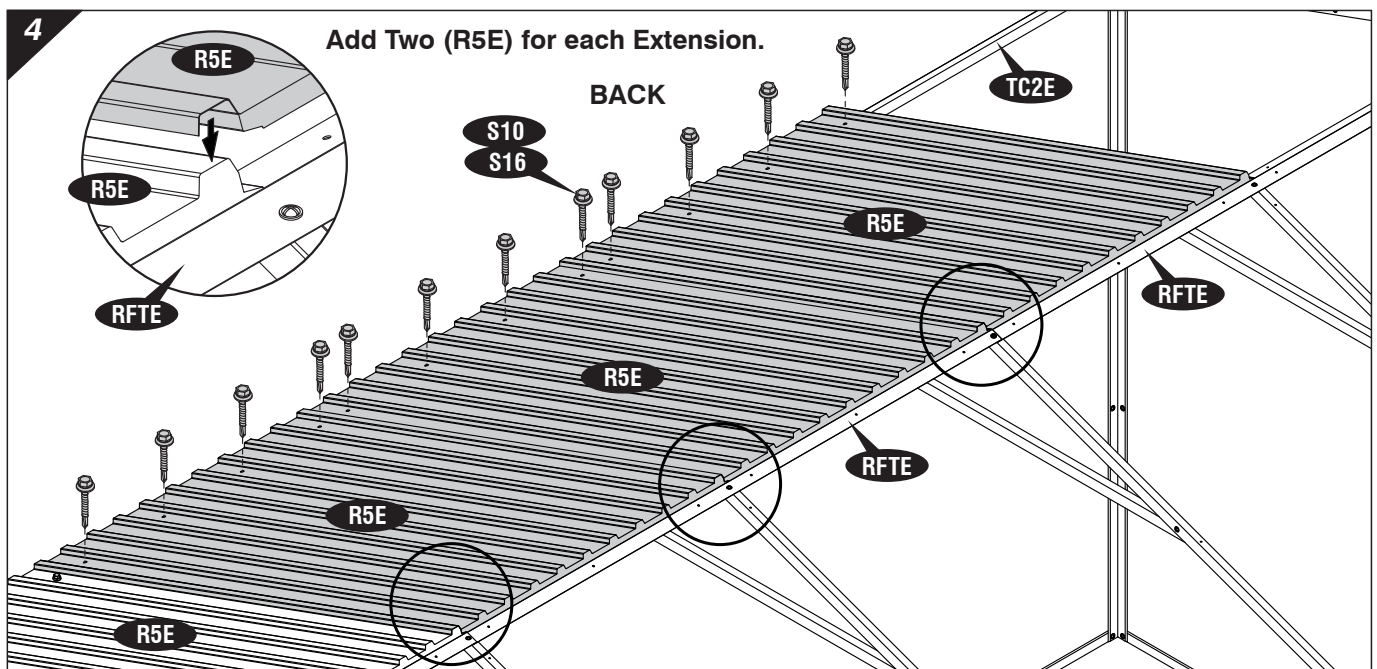
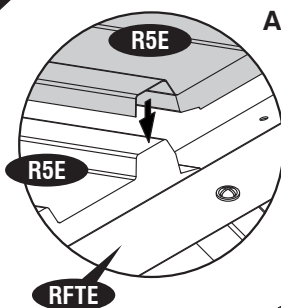


3



4

Add Two (R5E) for each Extension.



IMPORTANT : USE HAND GLOVES TO PREVENT INJURY.

5

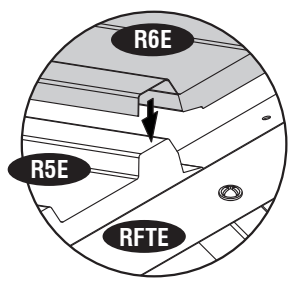


Fig. 1

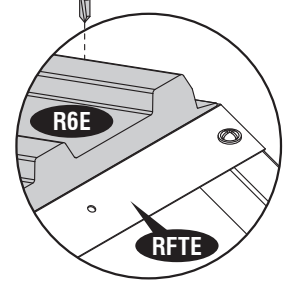
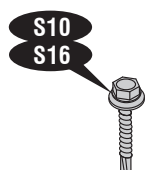
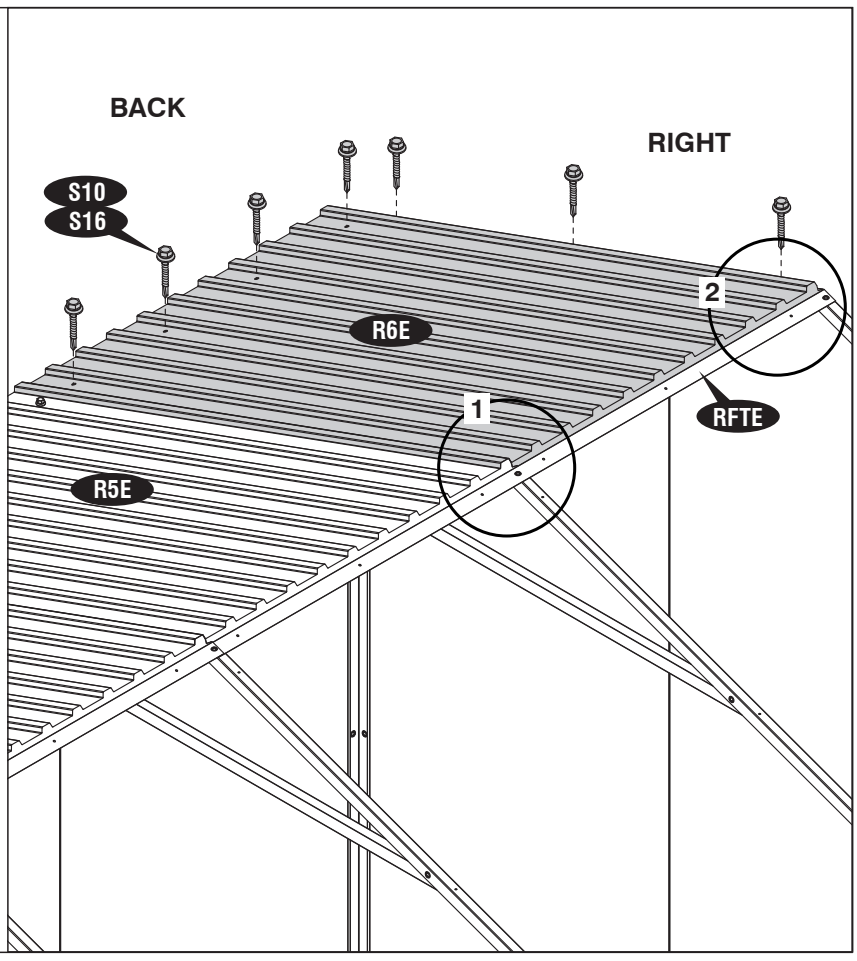
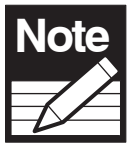


Fig. 2



6



Note On top 'U' channel these 2 holes are Pre-drilled for reference, align the holes and secure.

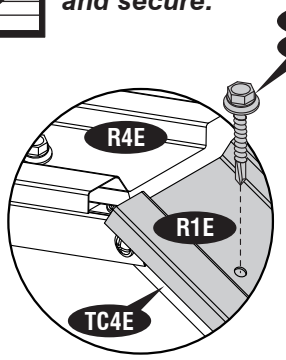


Fig. 1

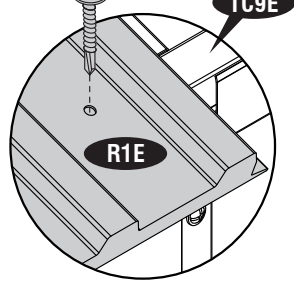
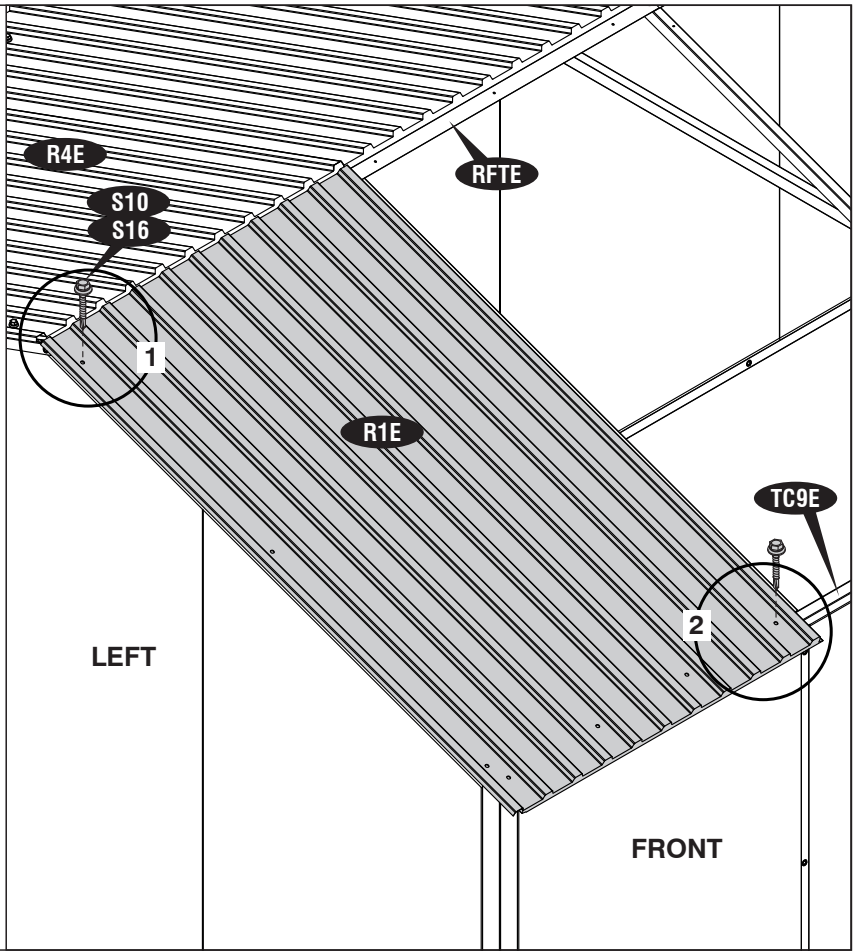
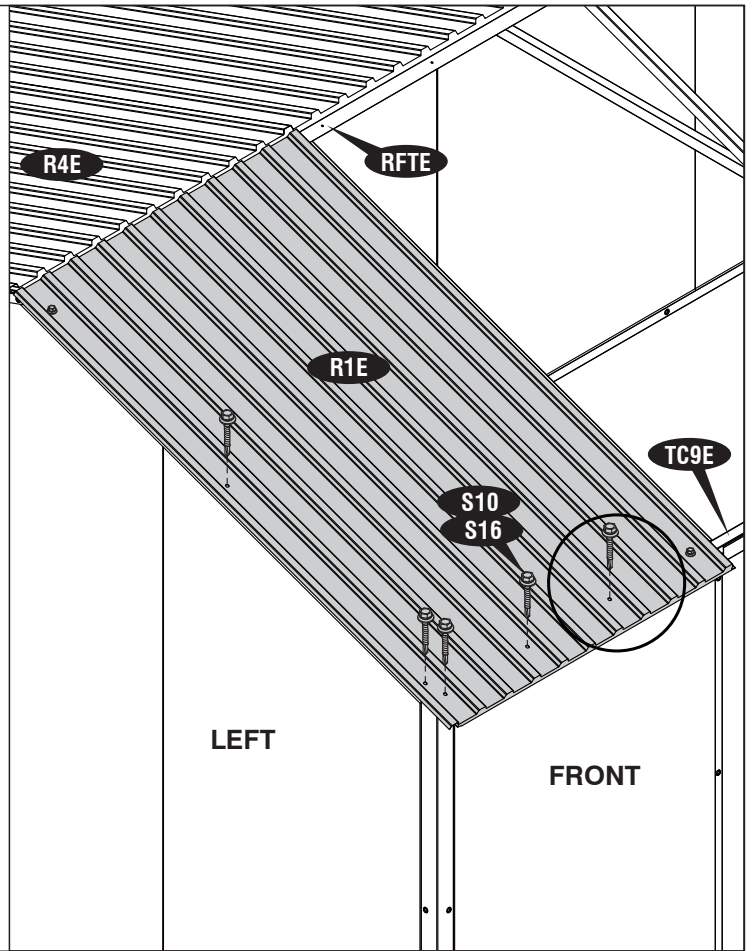
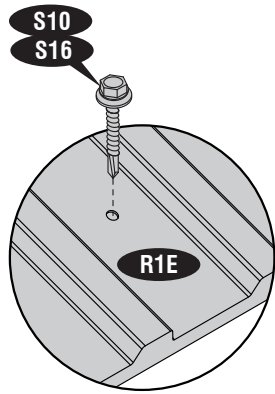


Fig. 2



IMPORTANT : USE HAND GLOVES TO PREVENT INJURY.

7



8

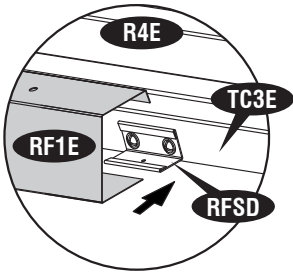


Fig. 1

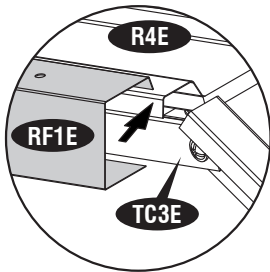


Fig. 2

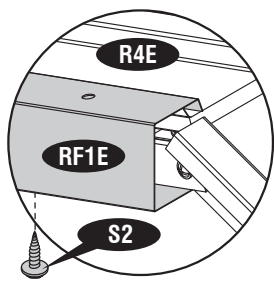


Fig. 3

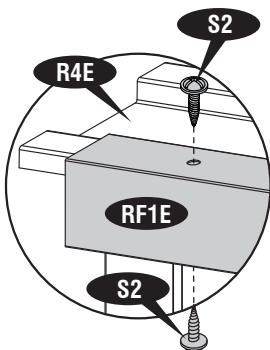
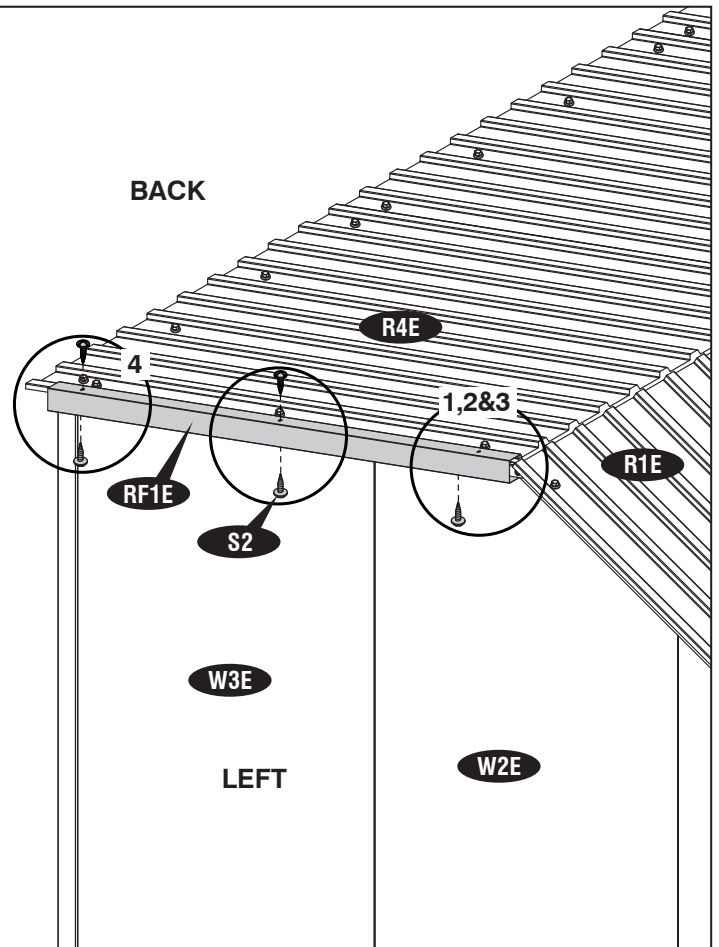


Fig. 4



28

IMPORTANT : USE HAND GLOVES TO PREVENT INJURY.

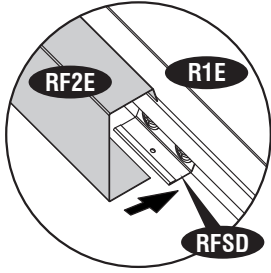


Fig. 1

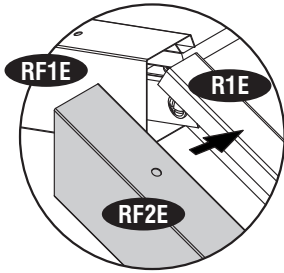


Fig. 2

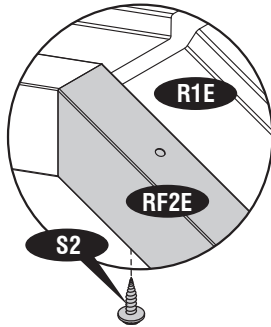


Fig. 3

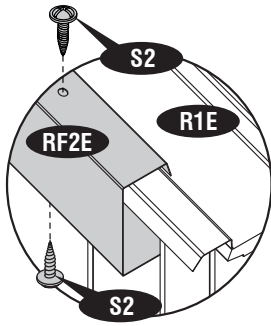
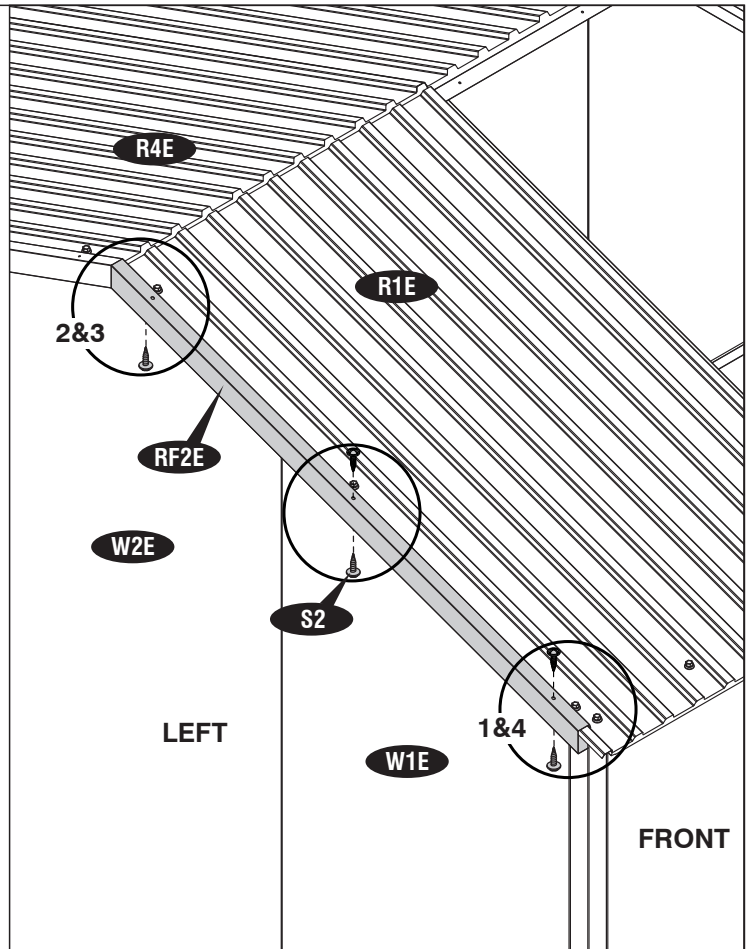


Fig. 4



Add One (RF5E) for each Extension.

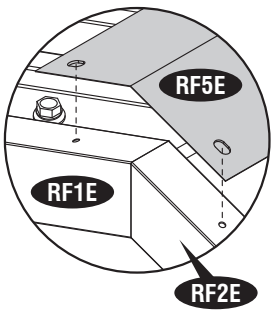


Fig. 1

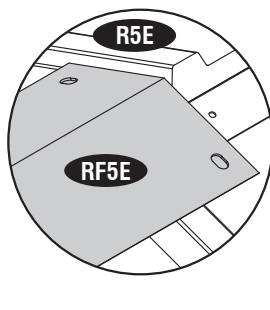


Fig. 2

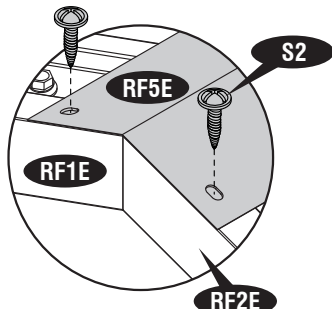
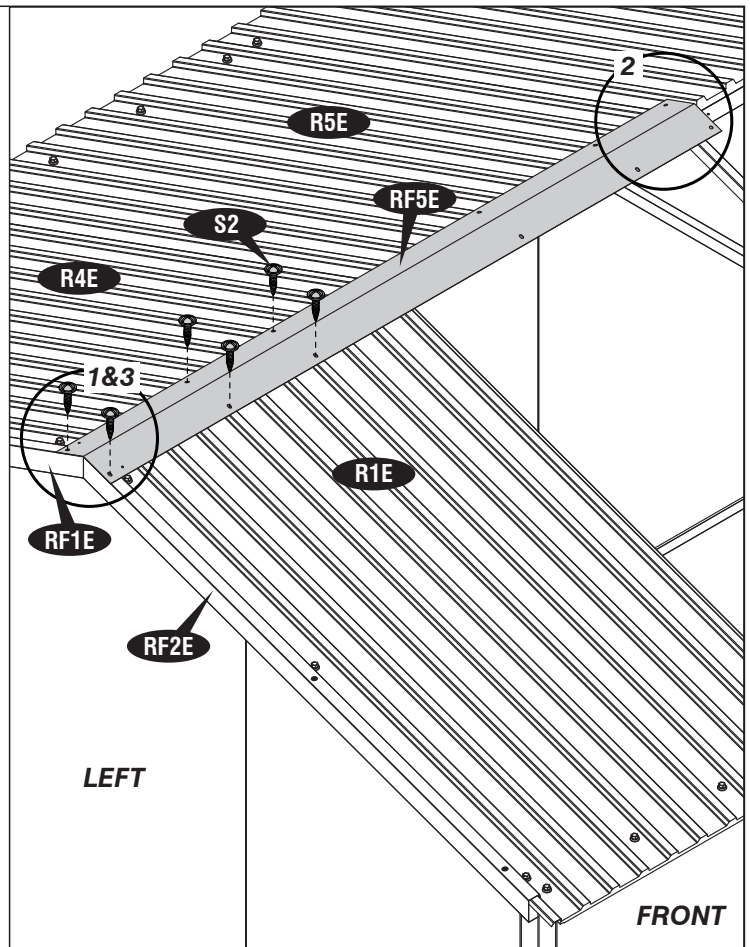


Fig. 3



IMPORTANT : USE HAND GLOVES TO PREVENT INJURY.

Add Two (R2E) for each Extension.

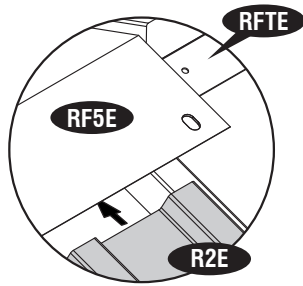


Fig. 1

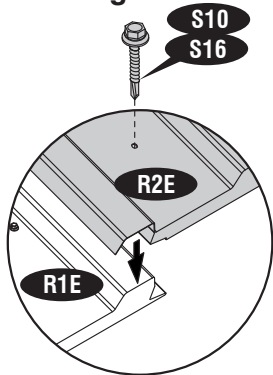


Fig. 2

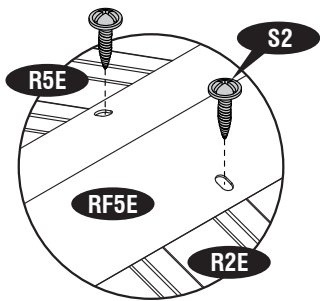
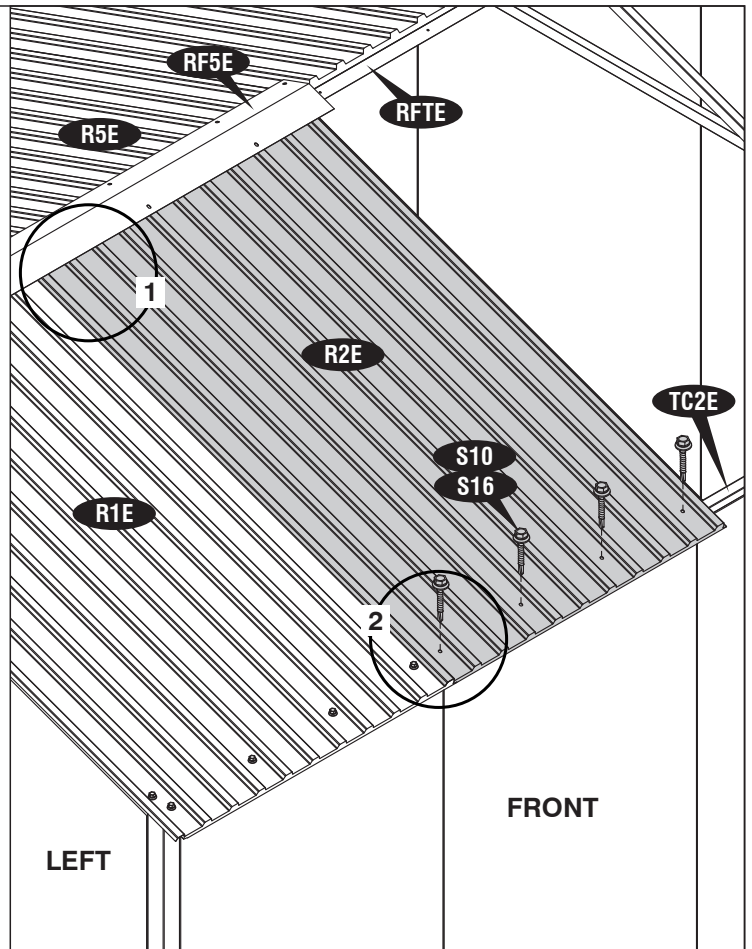


Fig. 1

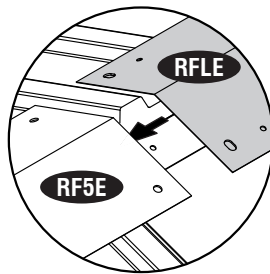


Fig. 2

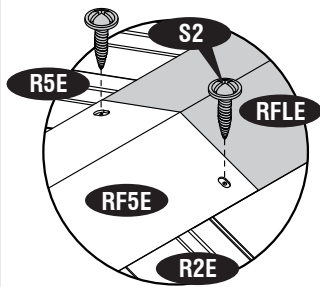


Fig. 3

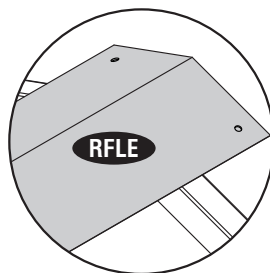
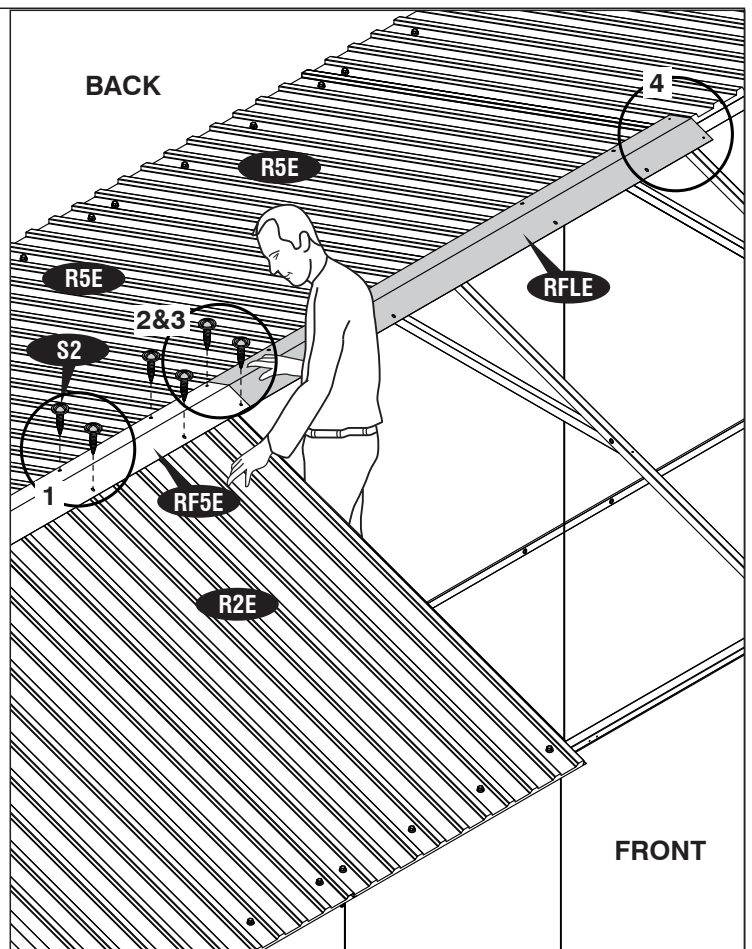


Fig. 4



IMPORTANT : USE HAND GLOVES TO PREVENT INJURY.

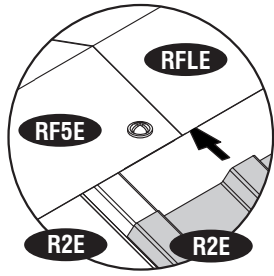


Fig. 1

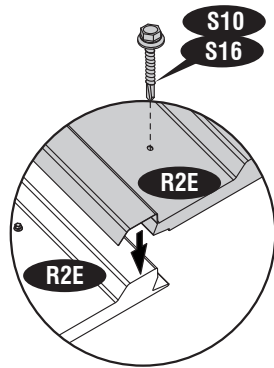


Fig. 2

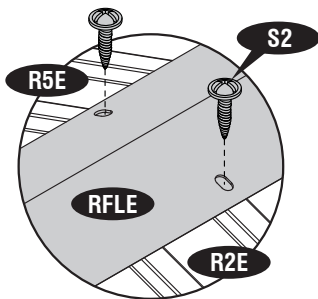
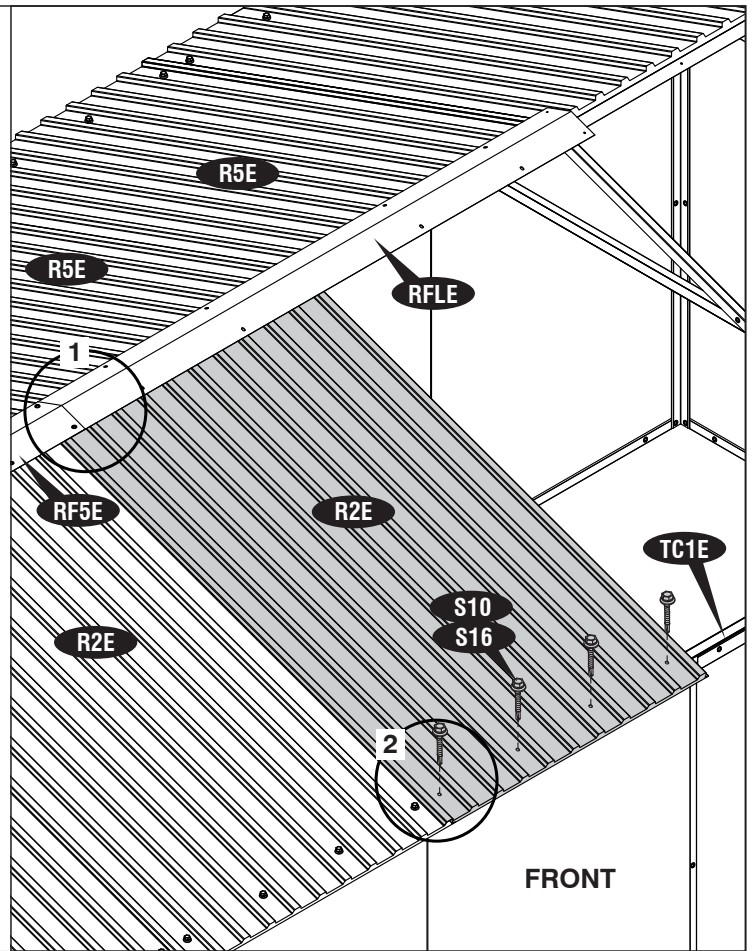
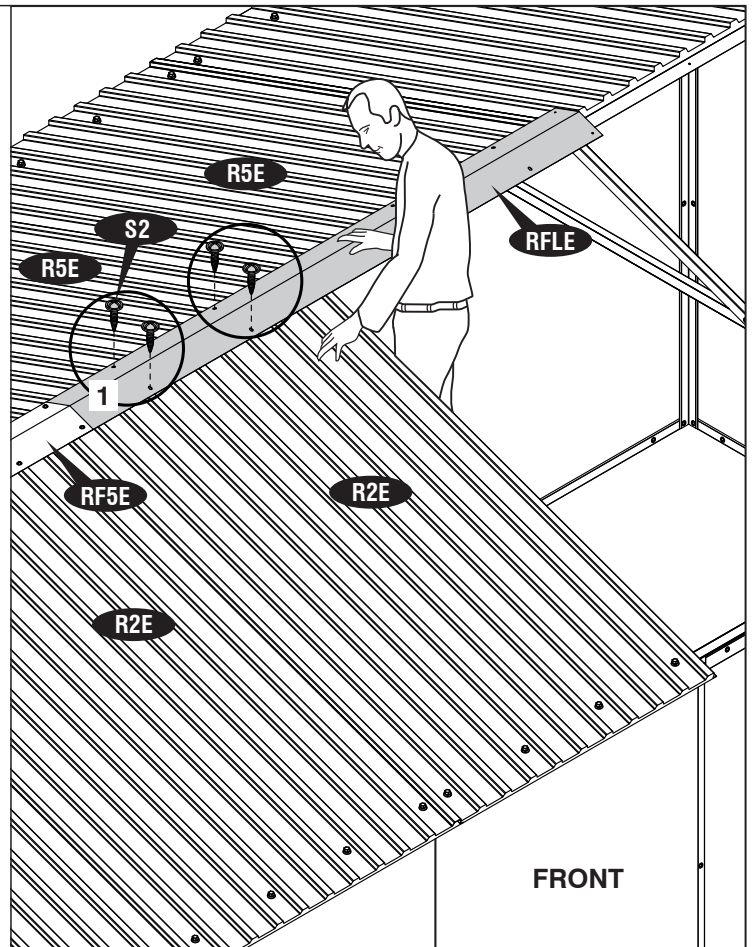


Fig. 1



IMPORTANT : USE HAND GLOVES TO PREVENT INJURY.

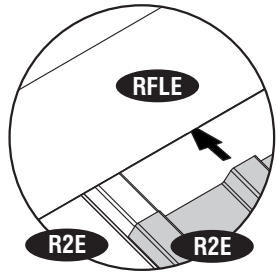


Fig. 1

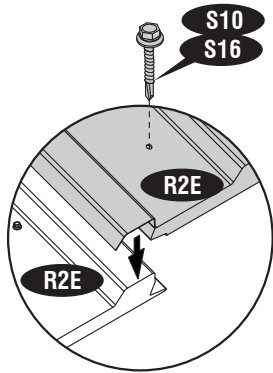


Fig. 2

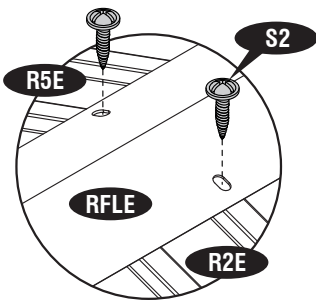
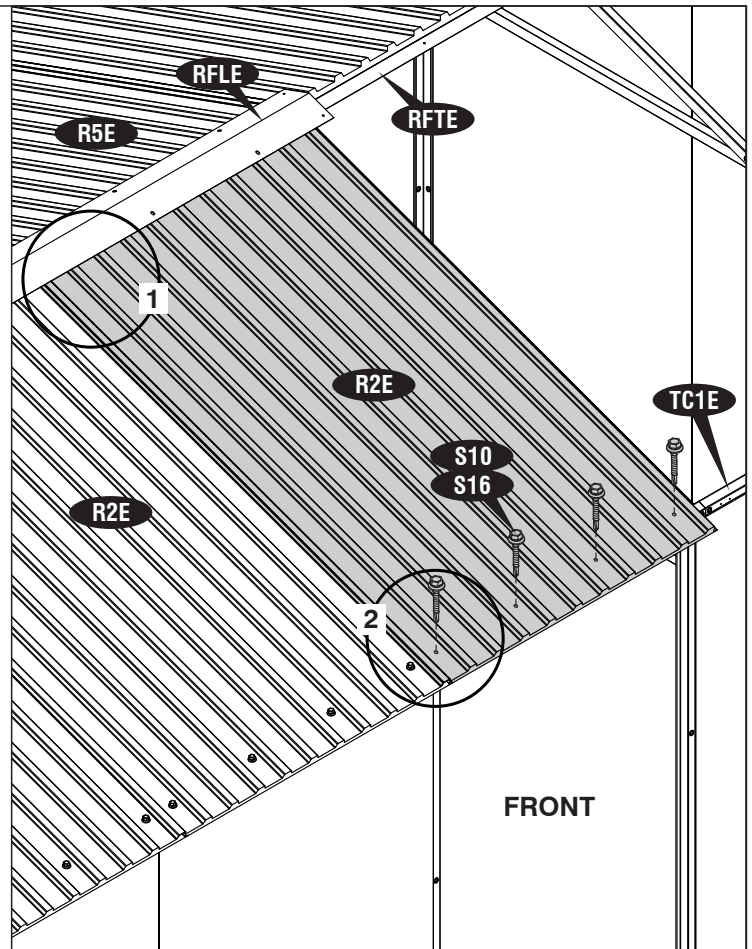


Fig. 1

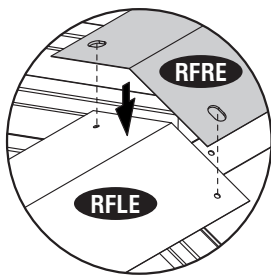


Fig. 2

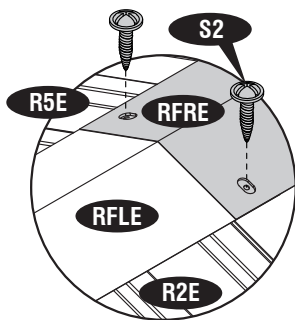


Fig. 3

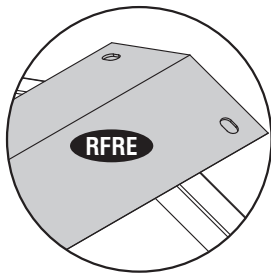
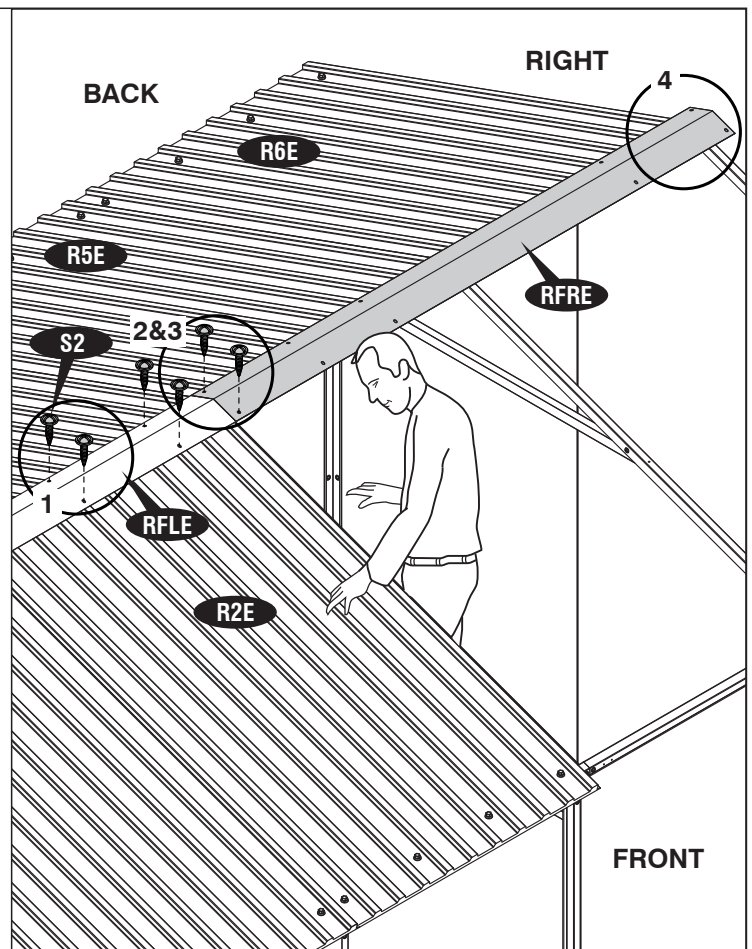


Fig. 4



IMPORTANT : USE HAND GLOVES TO PREVENT INJURY.

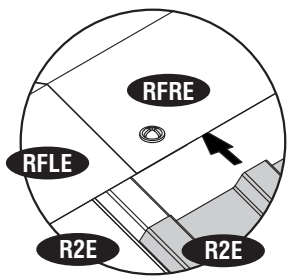


Fig. 1

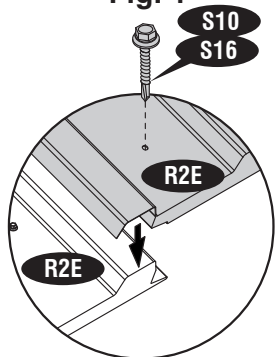
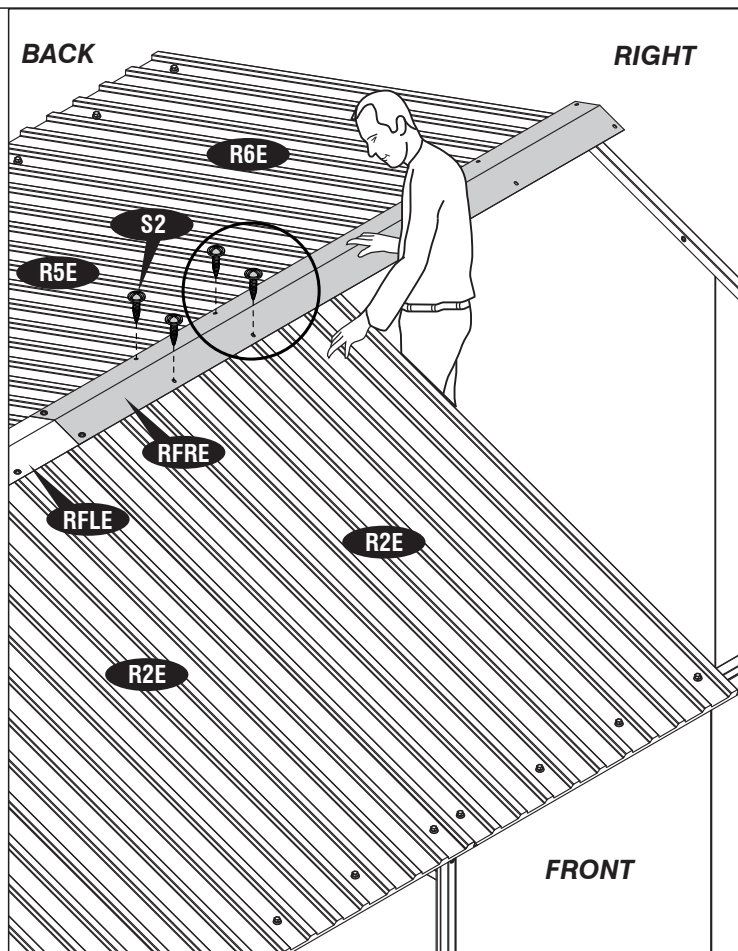
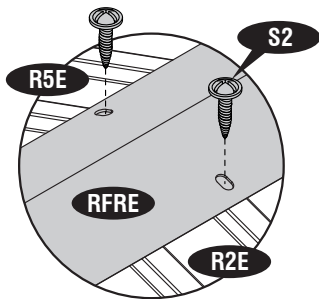
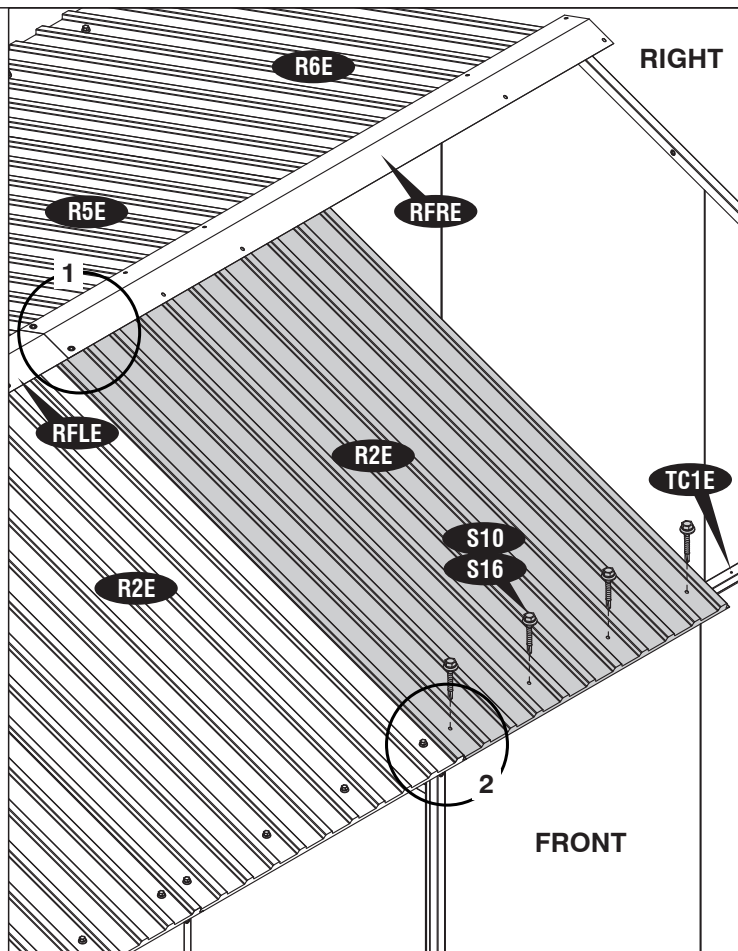


Fig. 2



IMPORTANT : USE HAND GLOVES TO PREVENT INJURY.

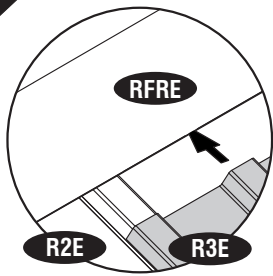


Fig. 1

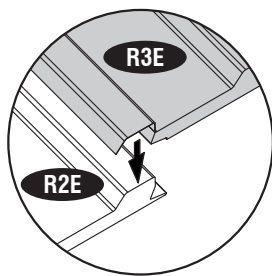


Fig. 2

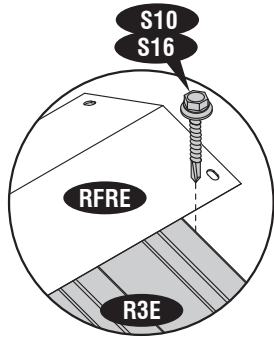


Fig. 3

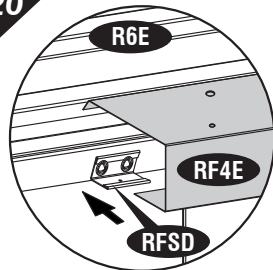
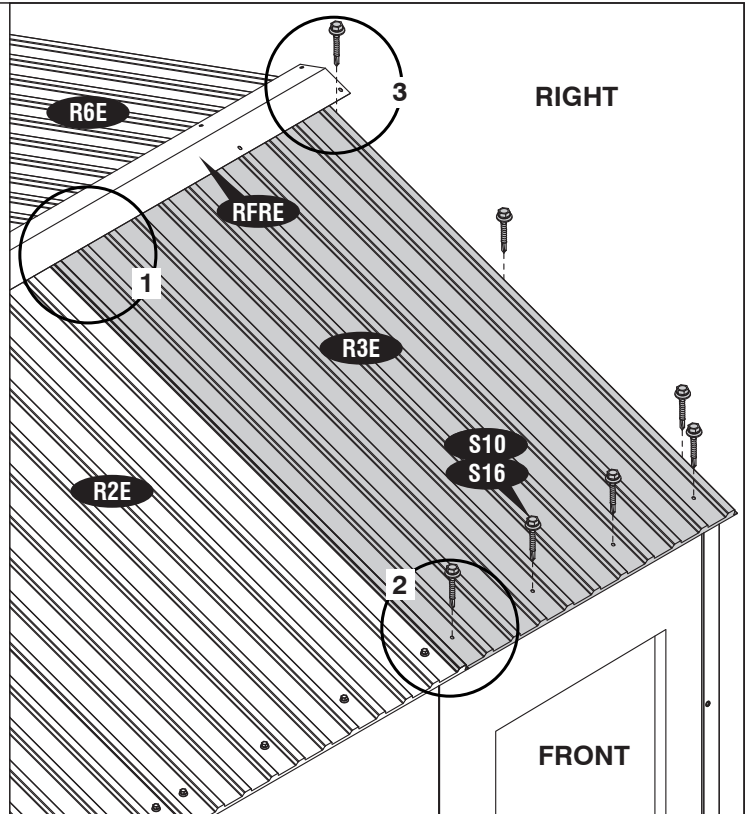


Fig. 1

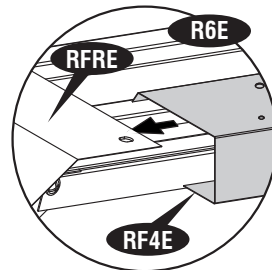


Fig. 2

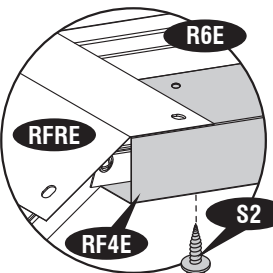


Fig. 3

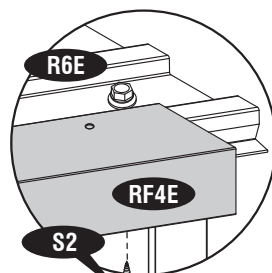


Fig. 4

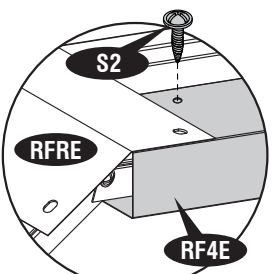


Fig. 5

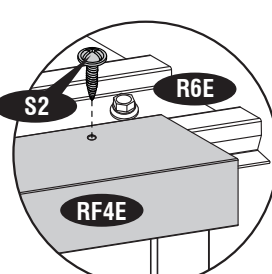
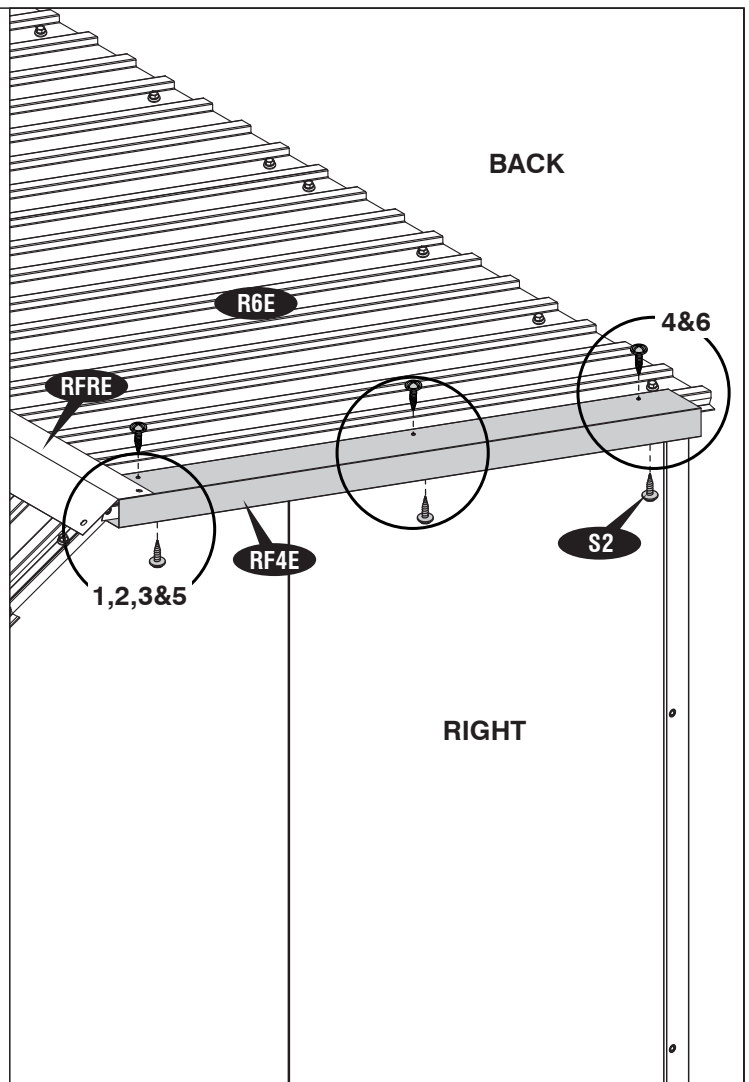


Fig. 6



IMPORTANT : USE HAND GLOVES TO PREVENT INJURY.

21

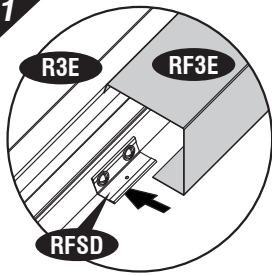


Fig. 1

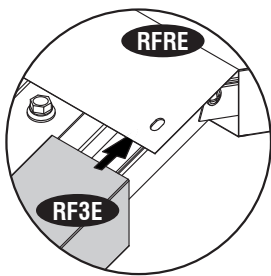


Fig. 2

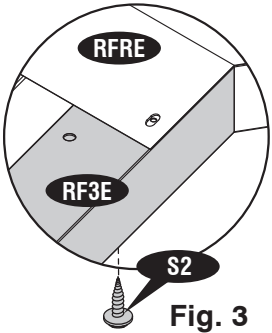


Fig. 3

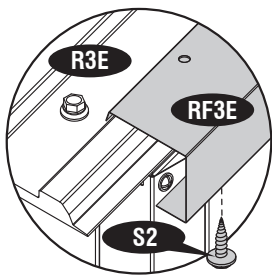


Fig. 4

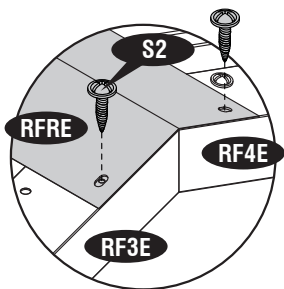


Fig. 5

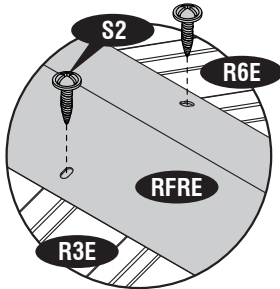
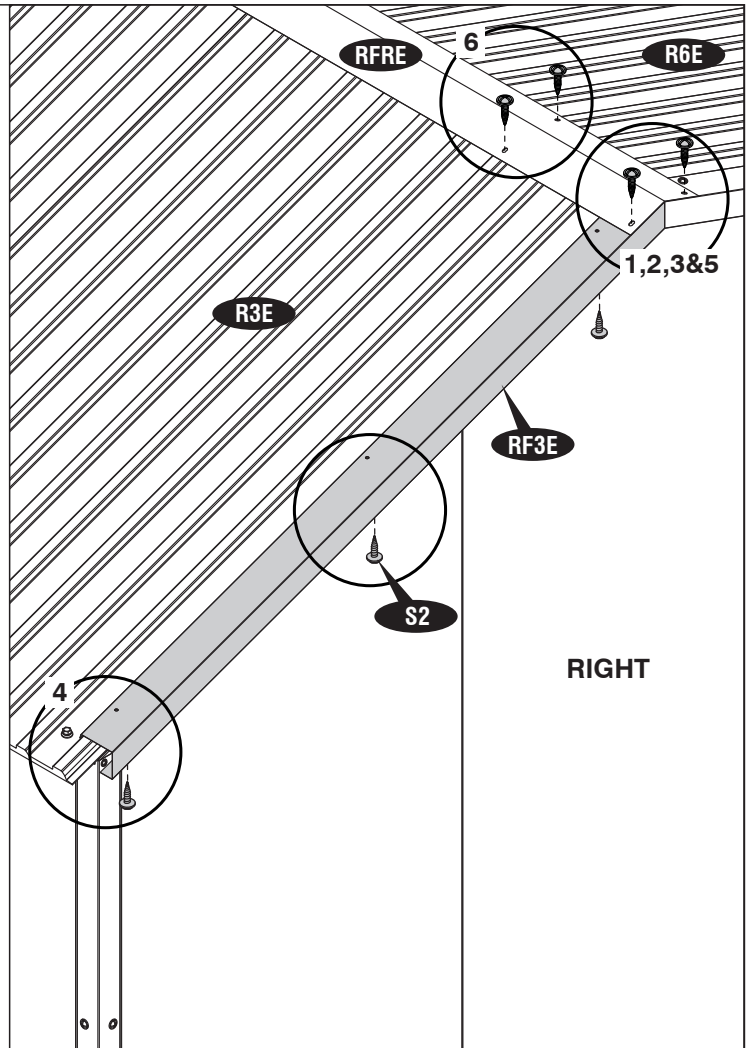


Fig. 6



22

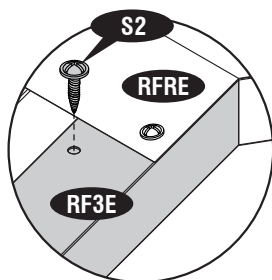


Fig. 1

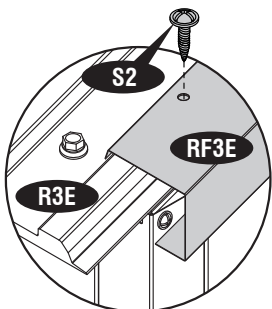
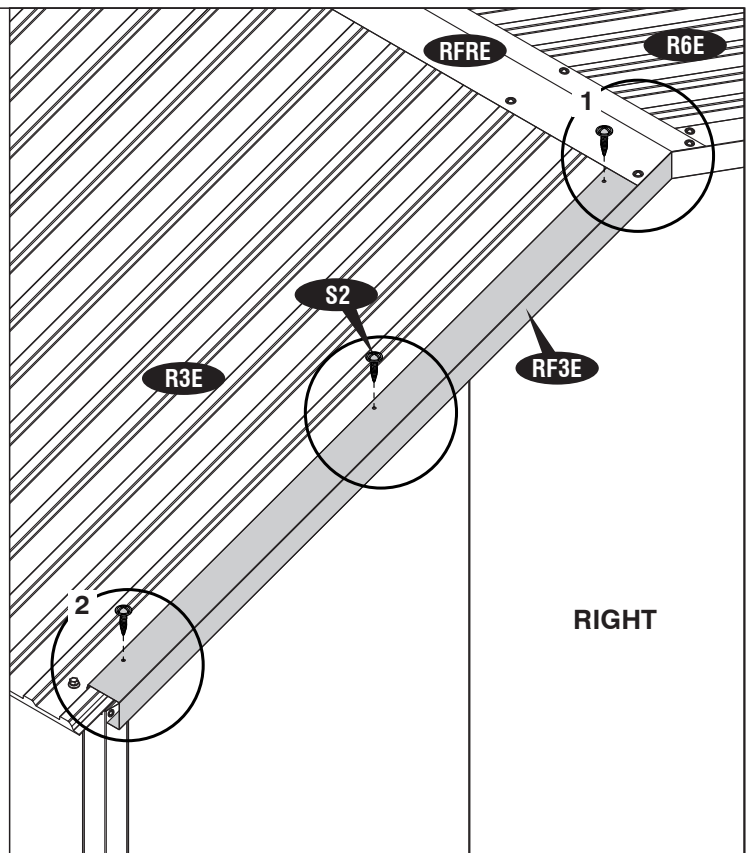


Fig. 2



35

IMPORTANT : USE HAND GLOVES TO PREVENT INJURY.

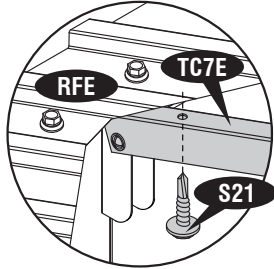
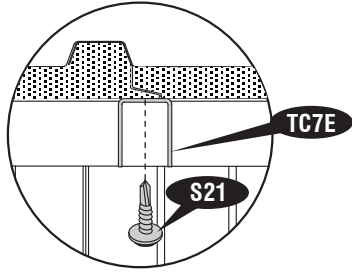


Fig. 1

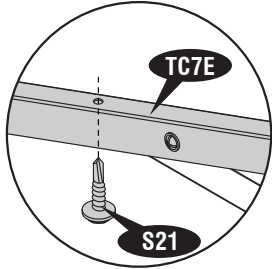


Fig. 2

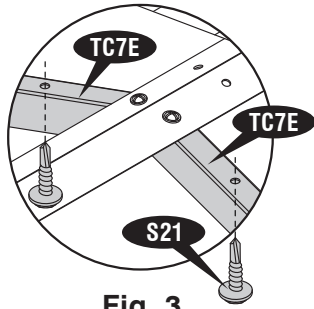
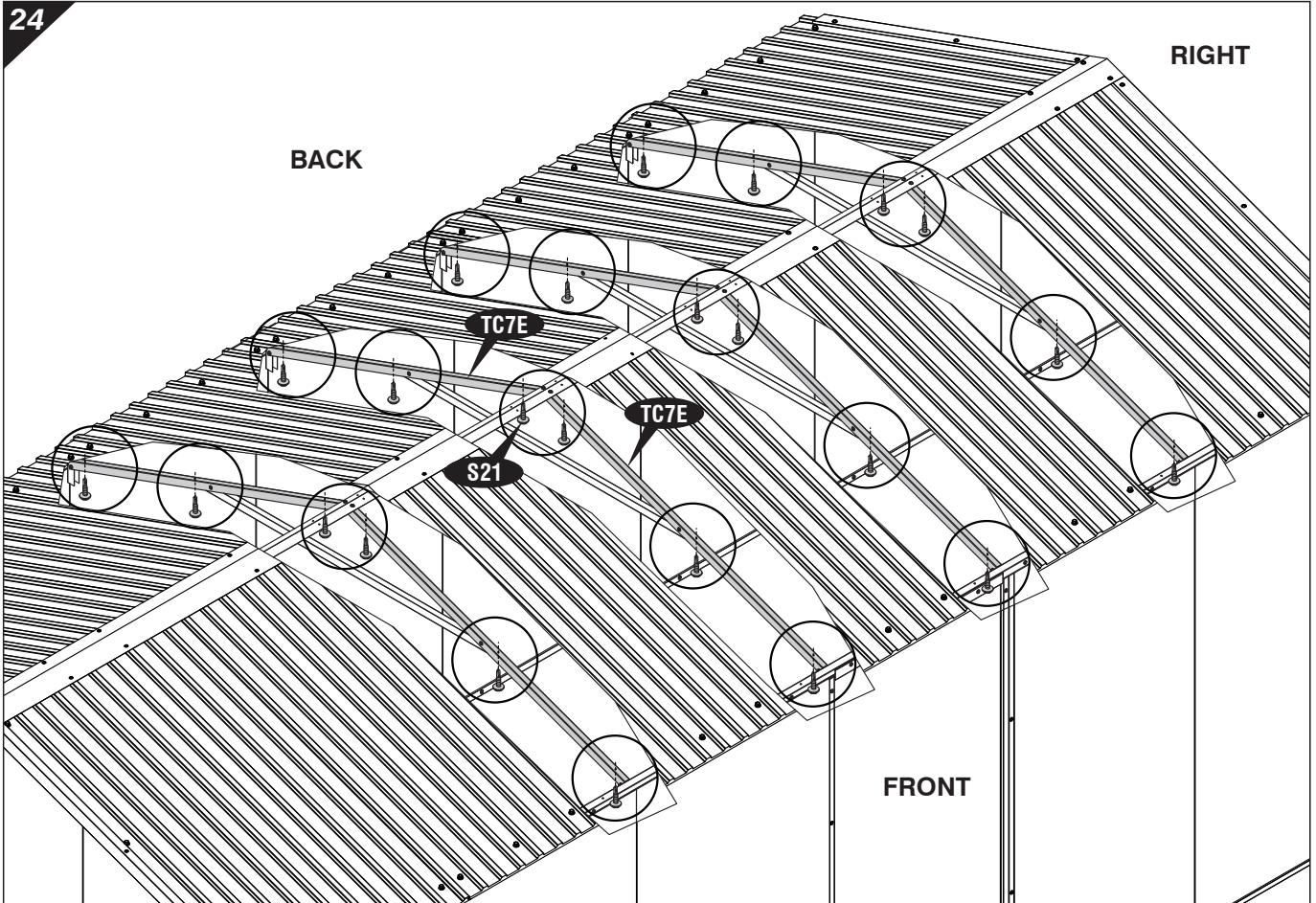
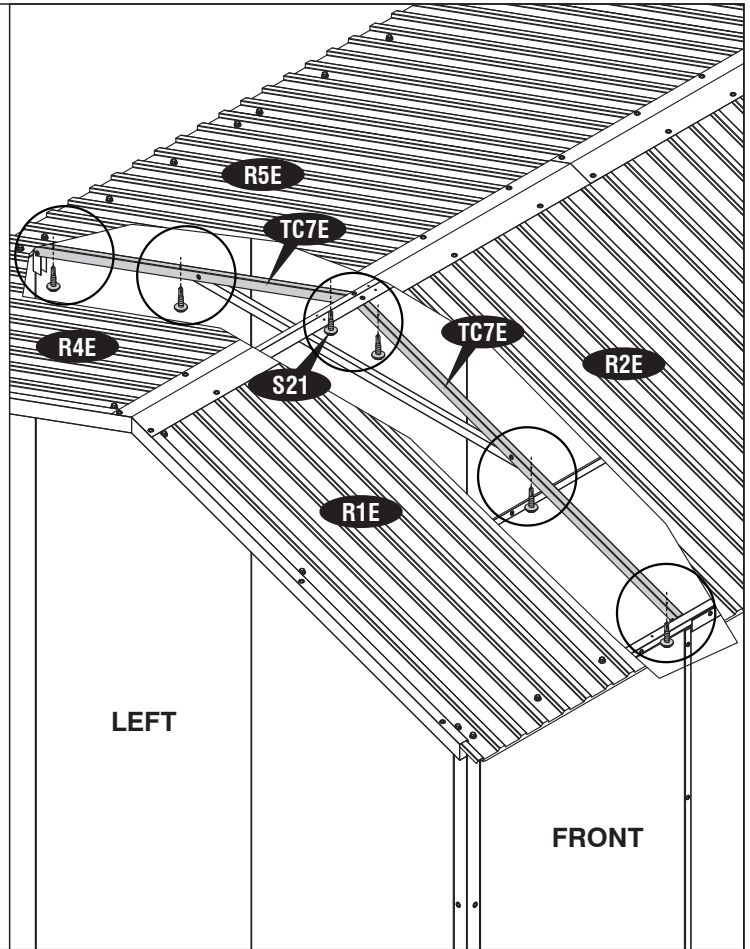
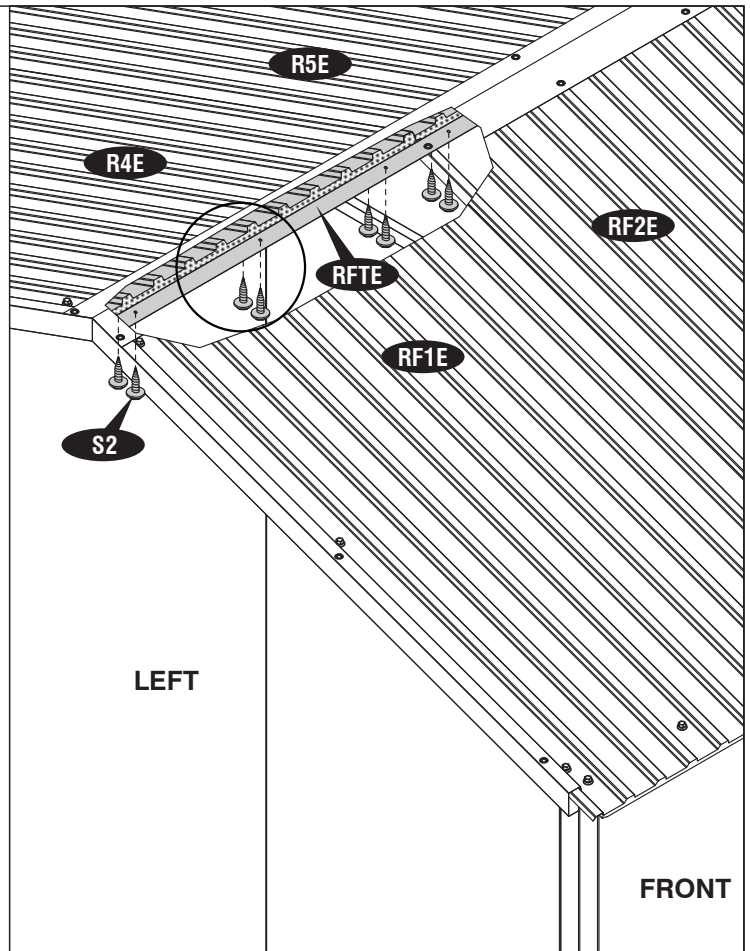
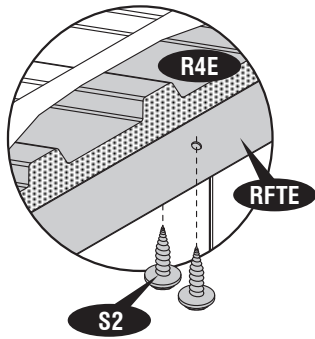
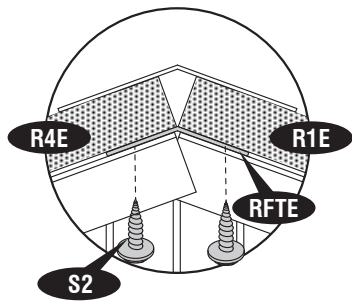


Fig. 3

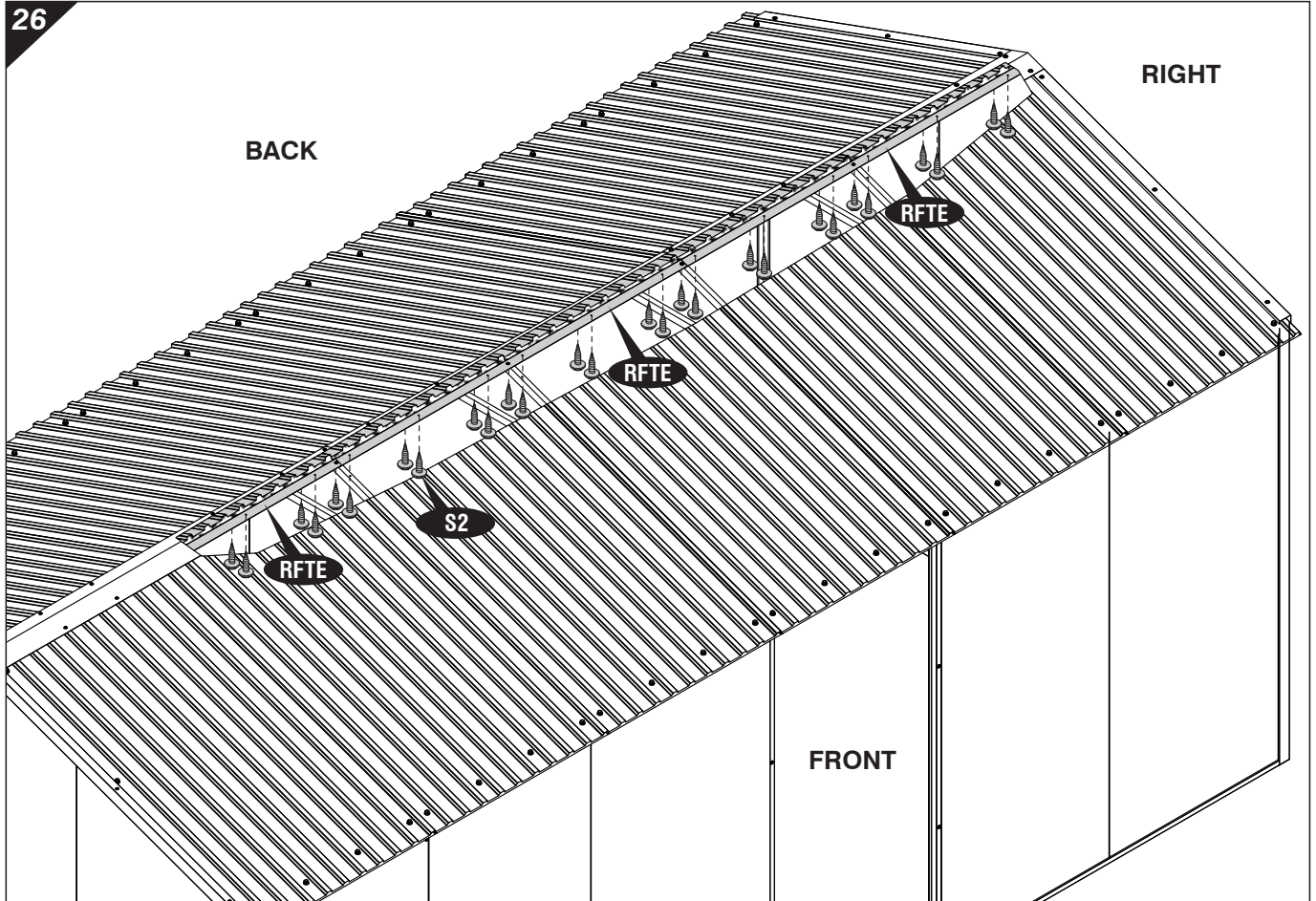


IMPORTANT : USE HAND GLOVES TO PREVENT INJURY.

25



26



37

IMPORTANT : USE HAND GLOVES TO PREVENT INJURY.

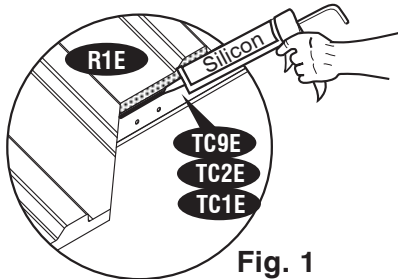
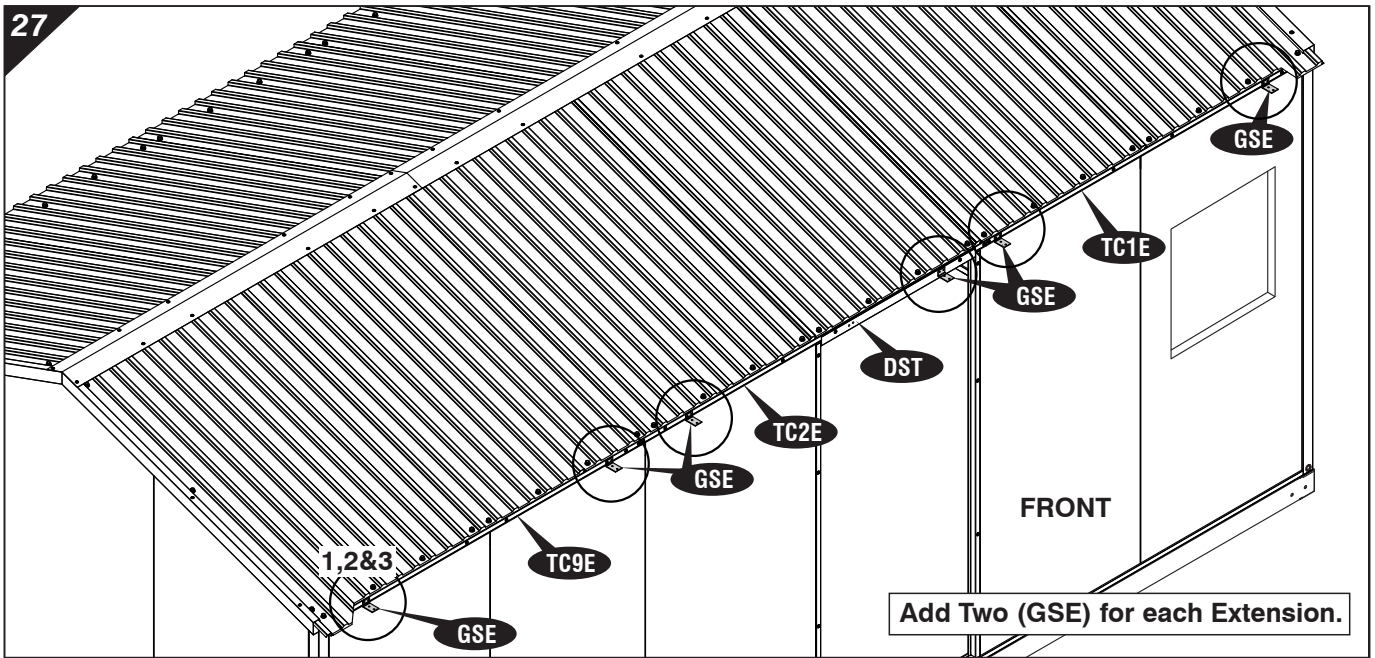


Fig. 1

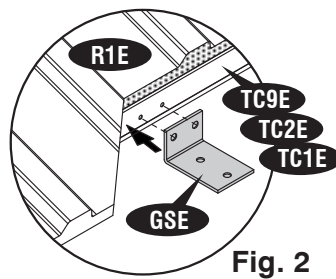


Fig. 2

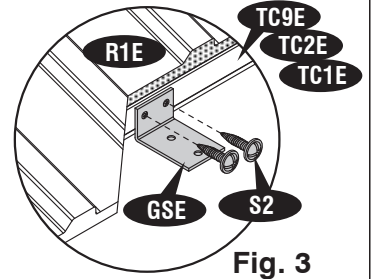


Fig. 3

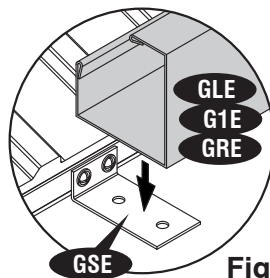
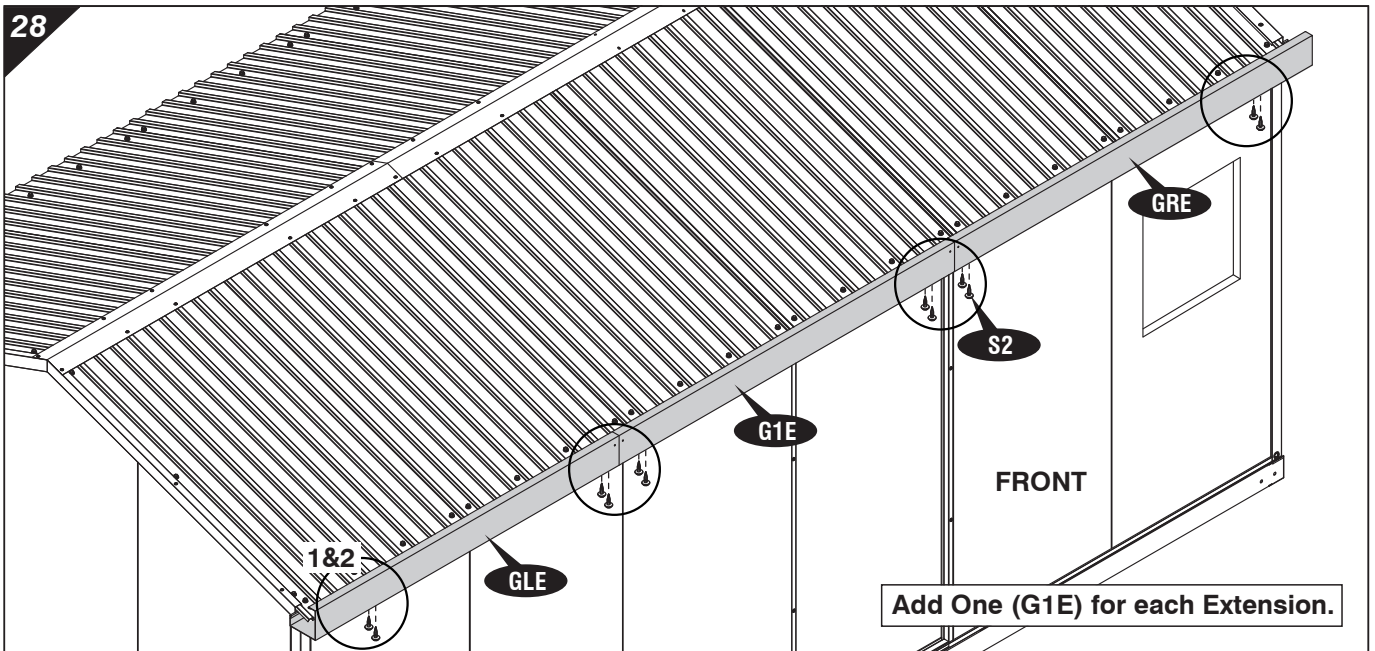


Fig. 1

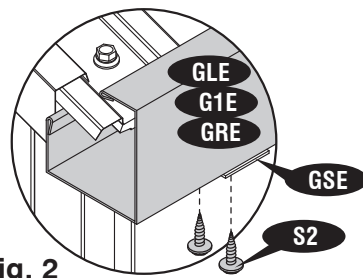


Fig. 2

IMPORTANT : USE HAND GLOVES TO PREVENT INJURY.

29

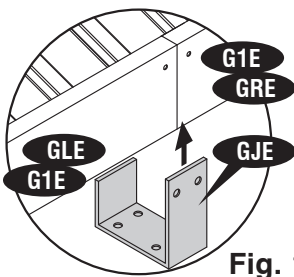
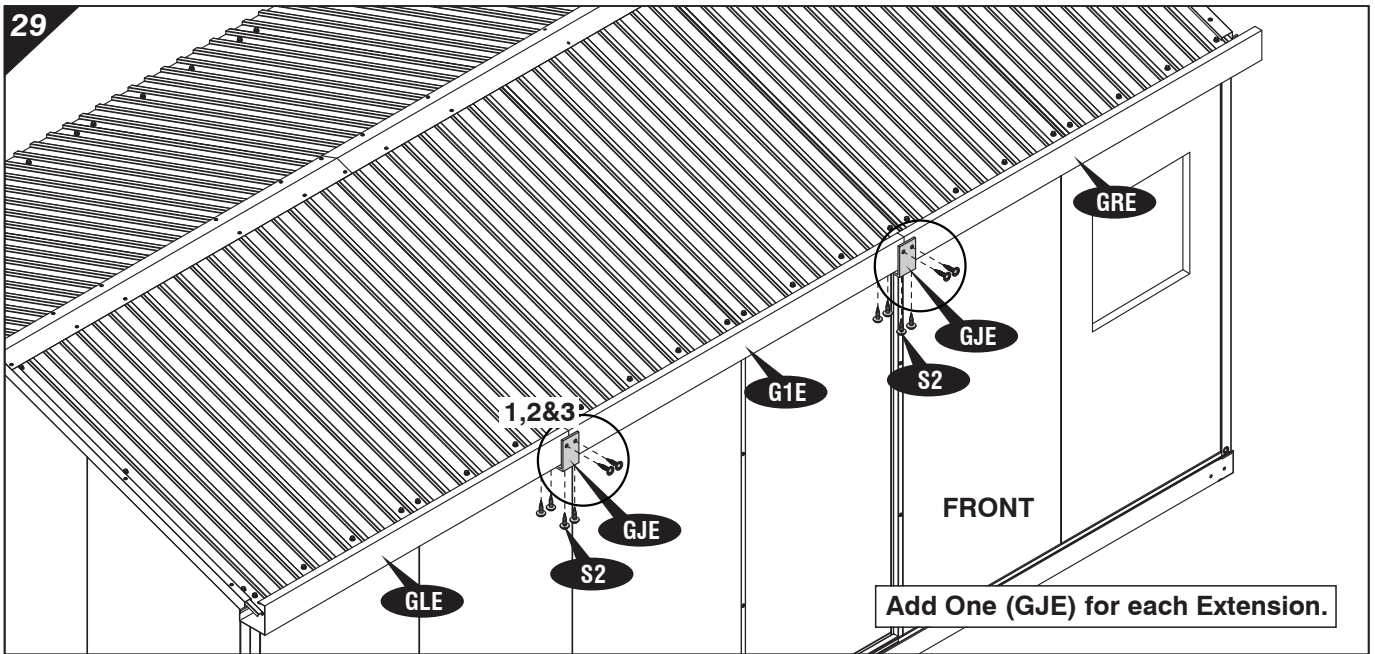


Fig. 1

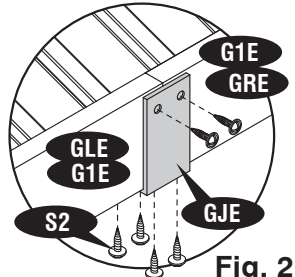


Fig. 2

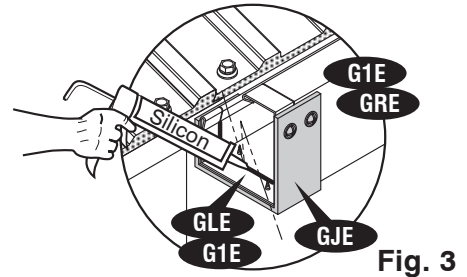


Fig. 3

30

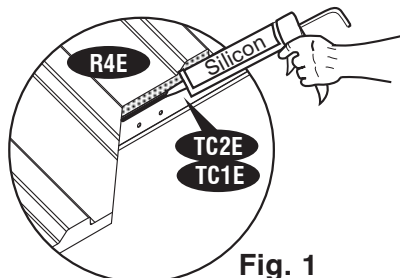
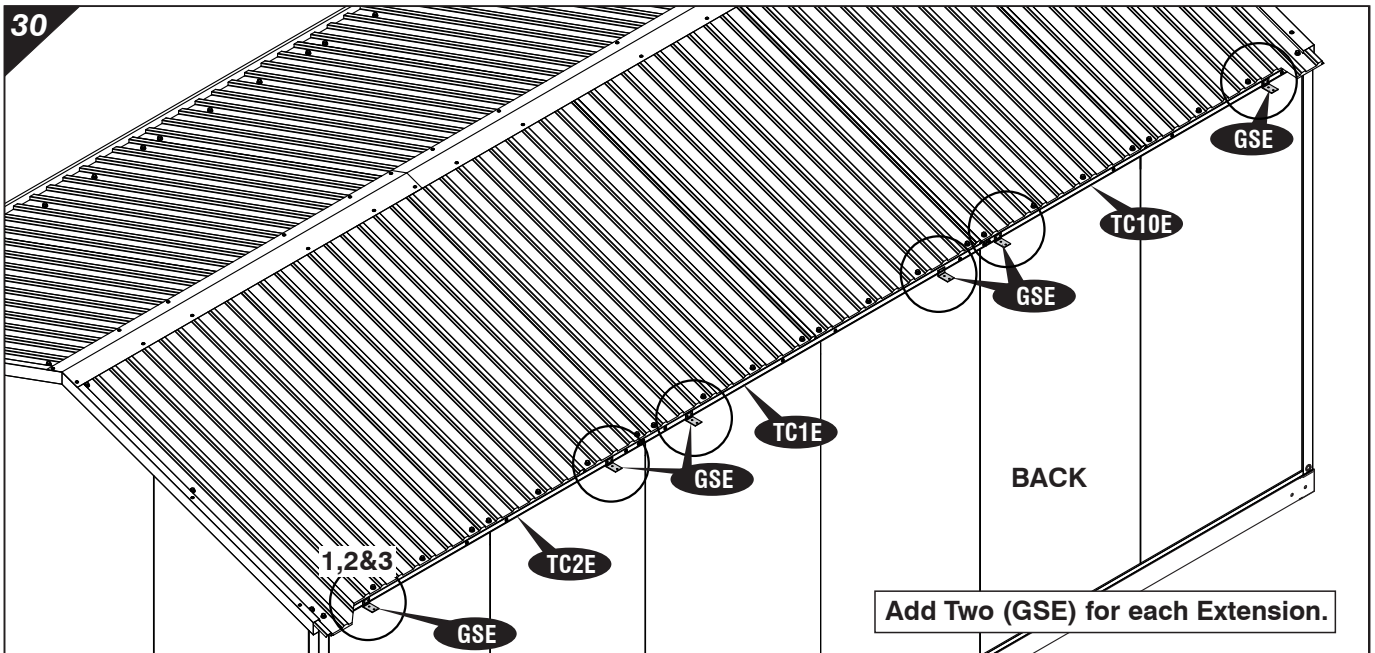


Fig. 1

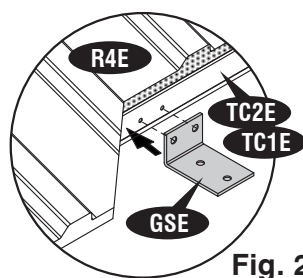


Fig. 2

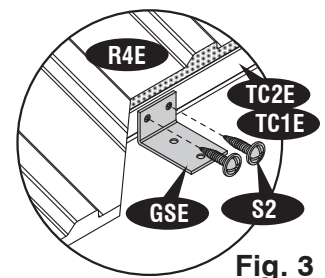


Fig. 3

39

IMPORTANT : USE HAND GLOVES TO PREVENT INJURY.

31

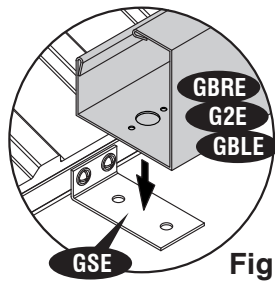
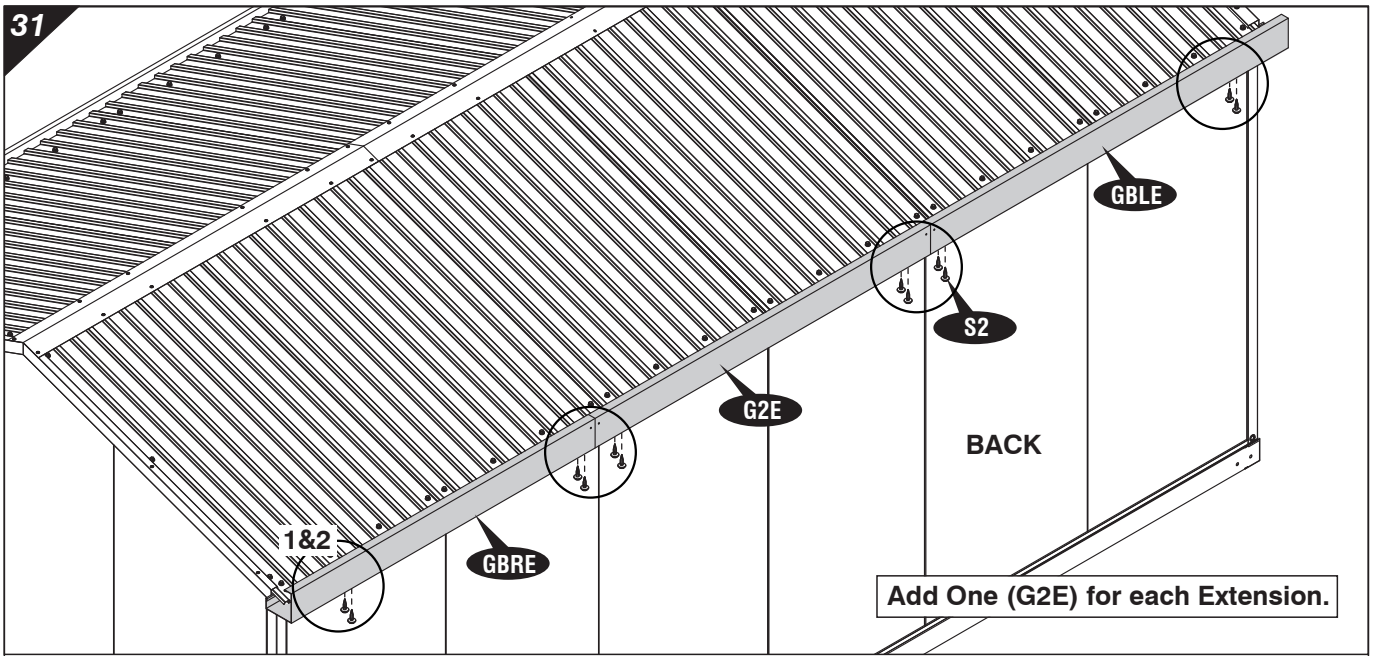


Fig. 1

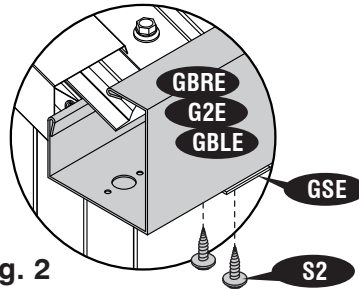


Fig. 2

32

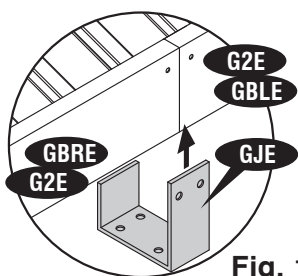
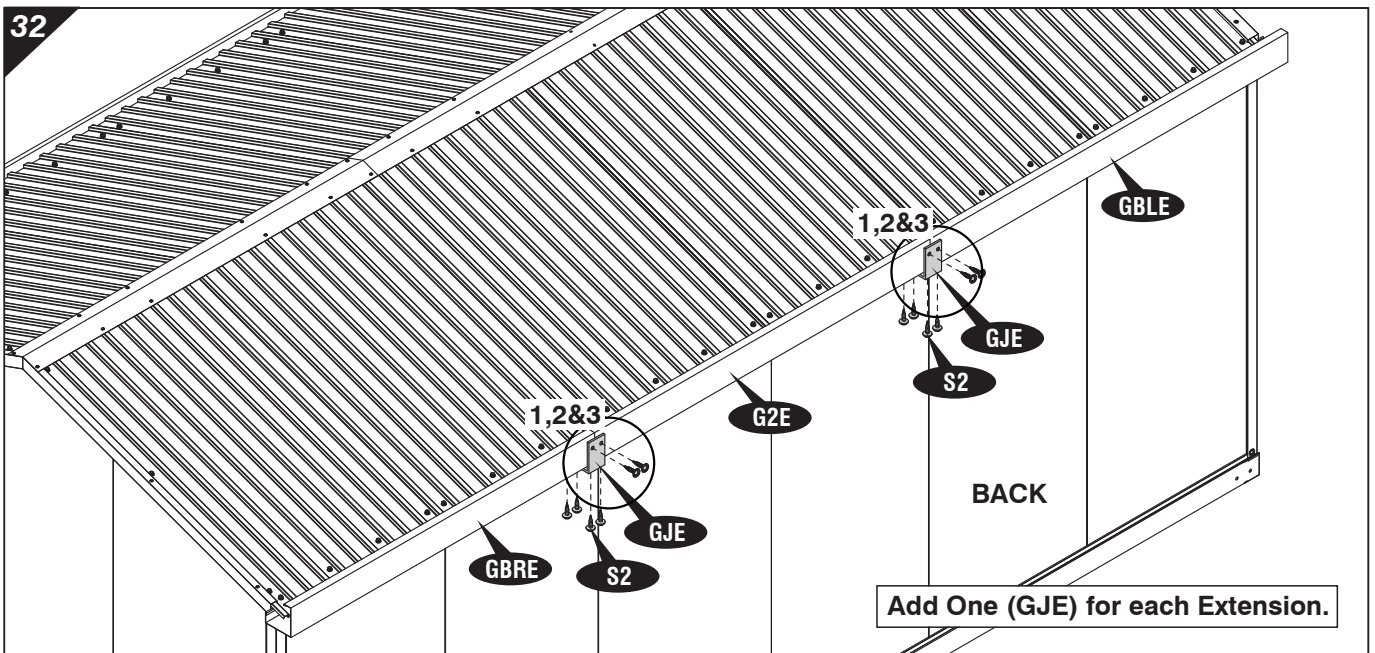


Fig. 1

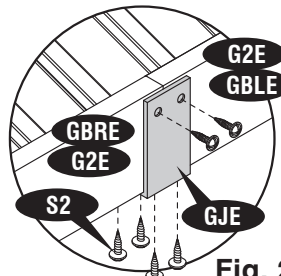


Fig. 2

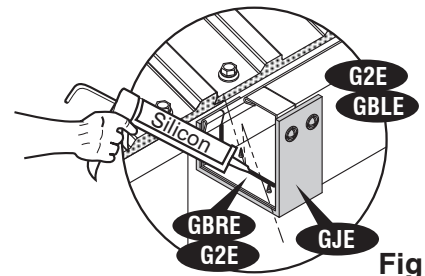


Fig. 3

40

IMPORTANT : USE HAND GLOVES TO PREVENT INJURY.

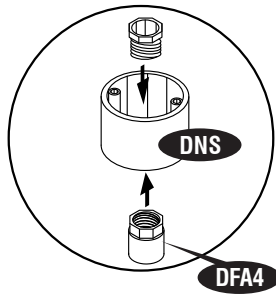


Fig. 1

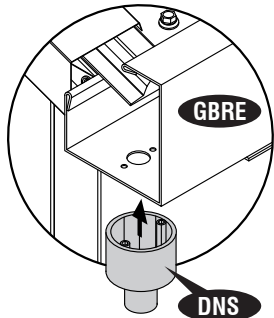


Fig. 2

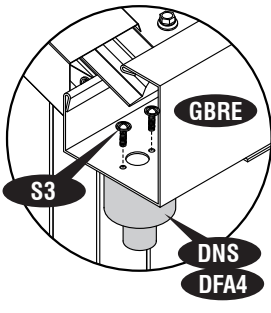


Fig. 3

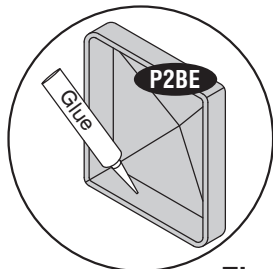
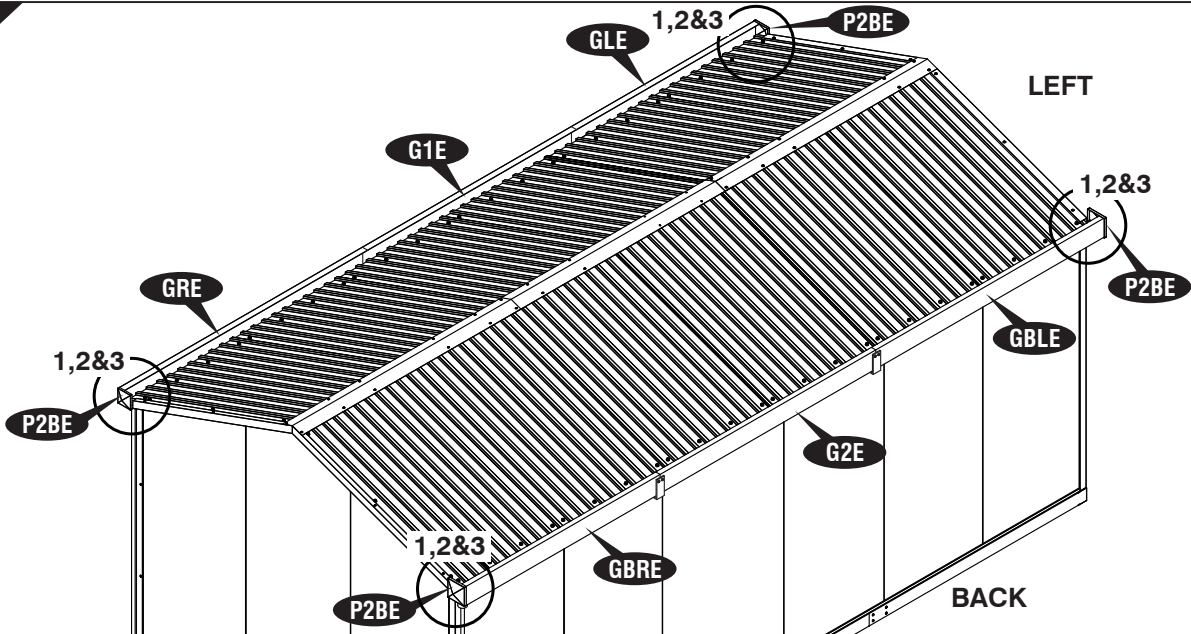
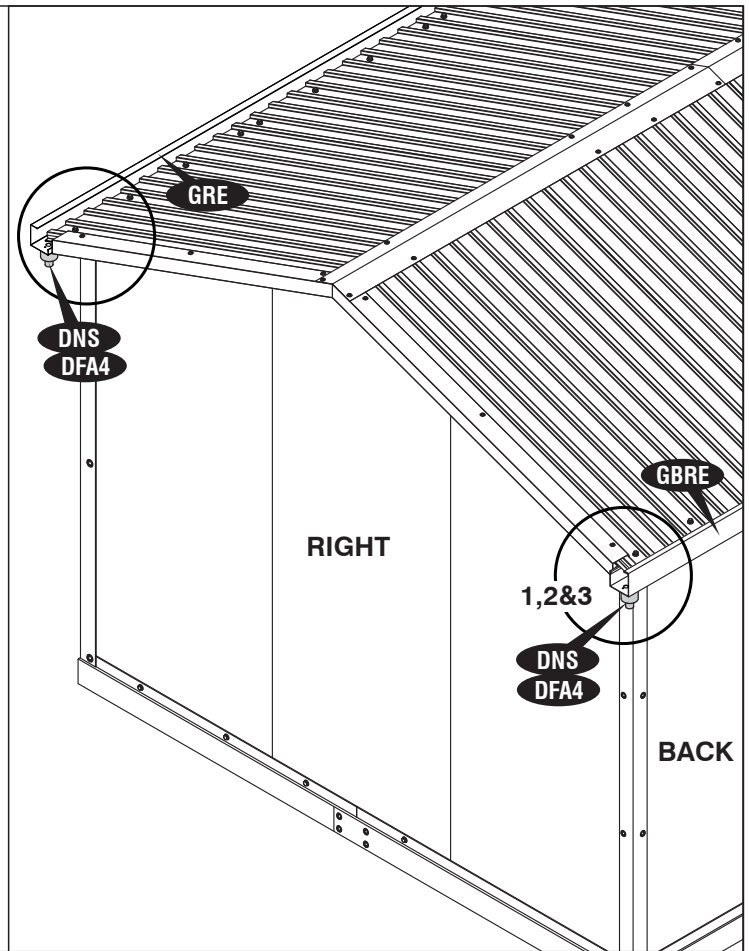


Fig. 1

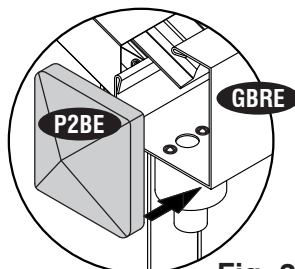


Fig. 2

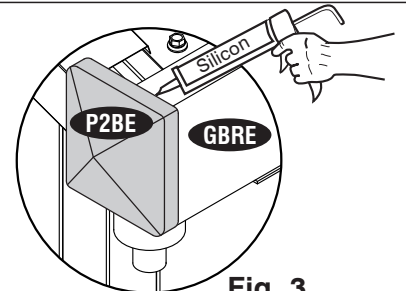


Fig. 3

IMPORTANT : USE HAND GLOVES TO PREVENT INJURY.

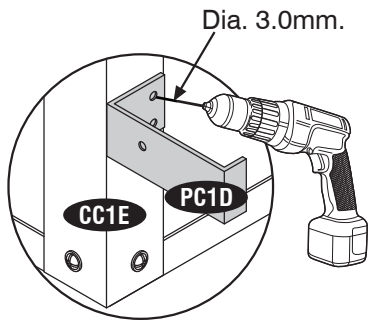


Fig. 1

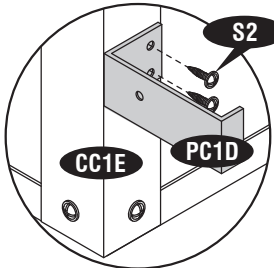


Fig. 2

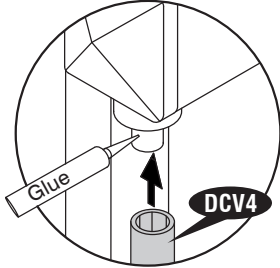


Fig. 3

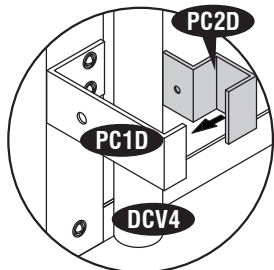


Fig. 4

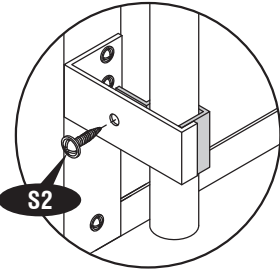


Fig. 5

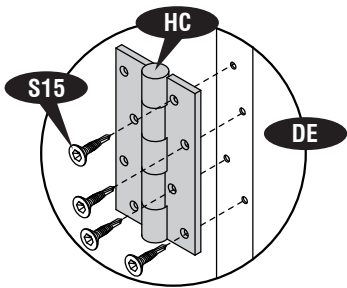
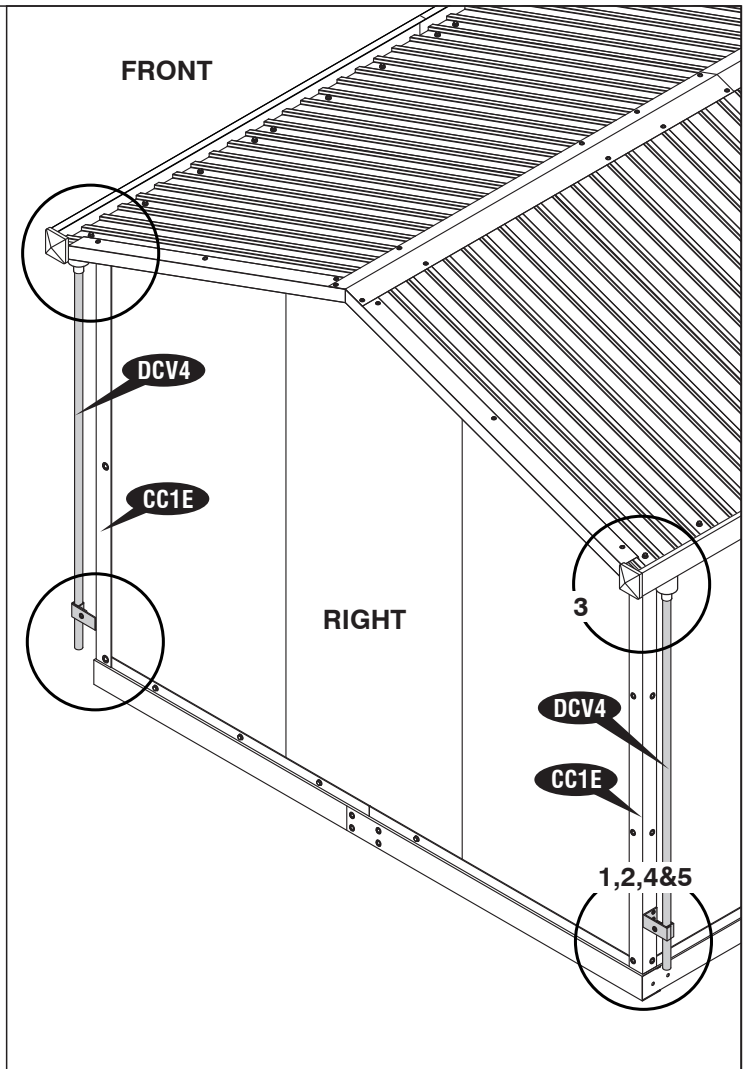


Fig.1

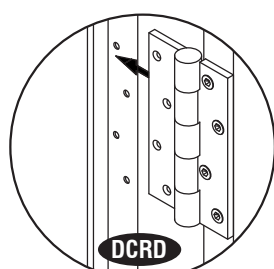


Fig.2

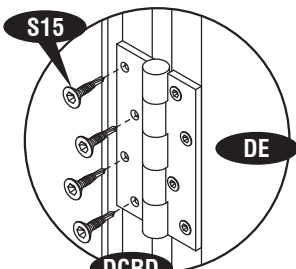
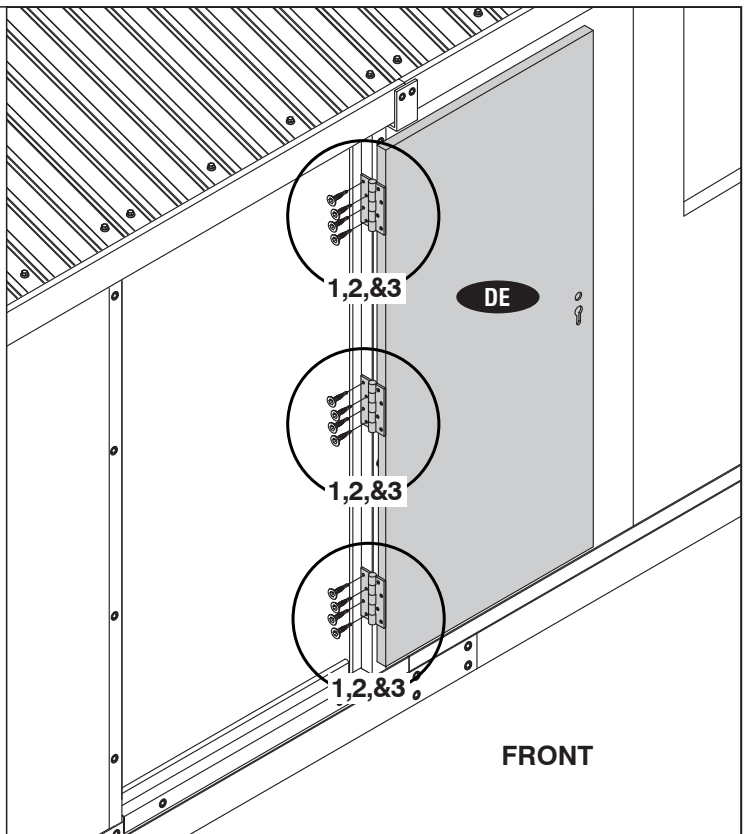


Fig.3



IMPORTANT : USE HAND GLOVES TO PREVENT INJURY.

37

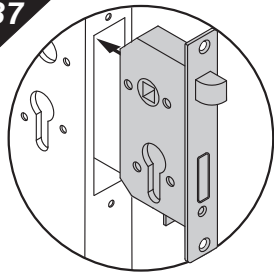


Fig.1

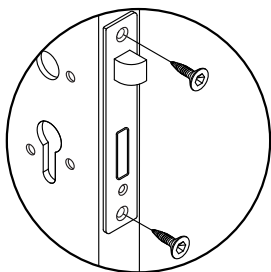


Fig.2

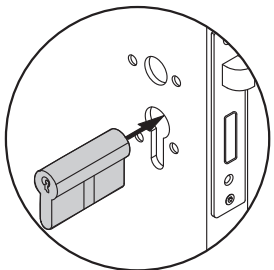


Fig.3

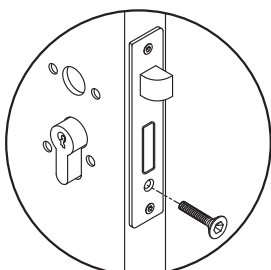


Fig.4

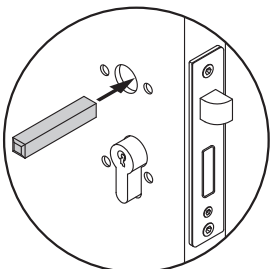


Fig.5

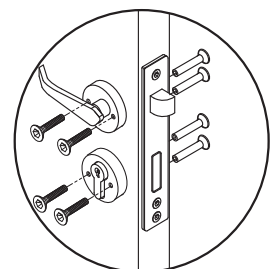


Fig.6

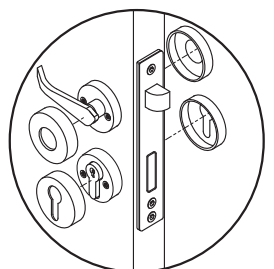


Fig.7

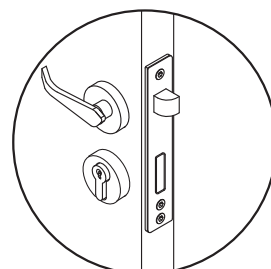
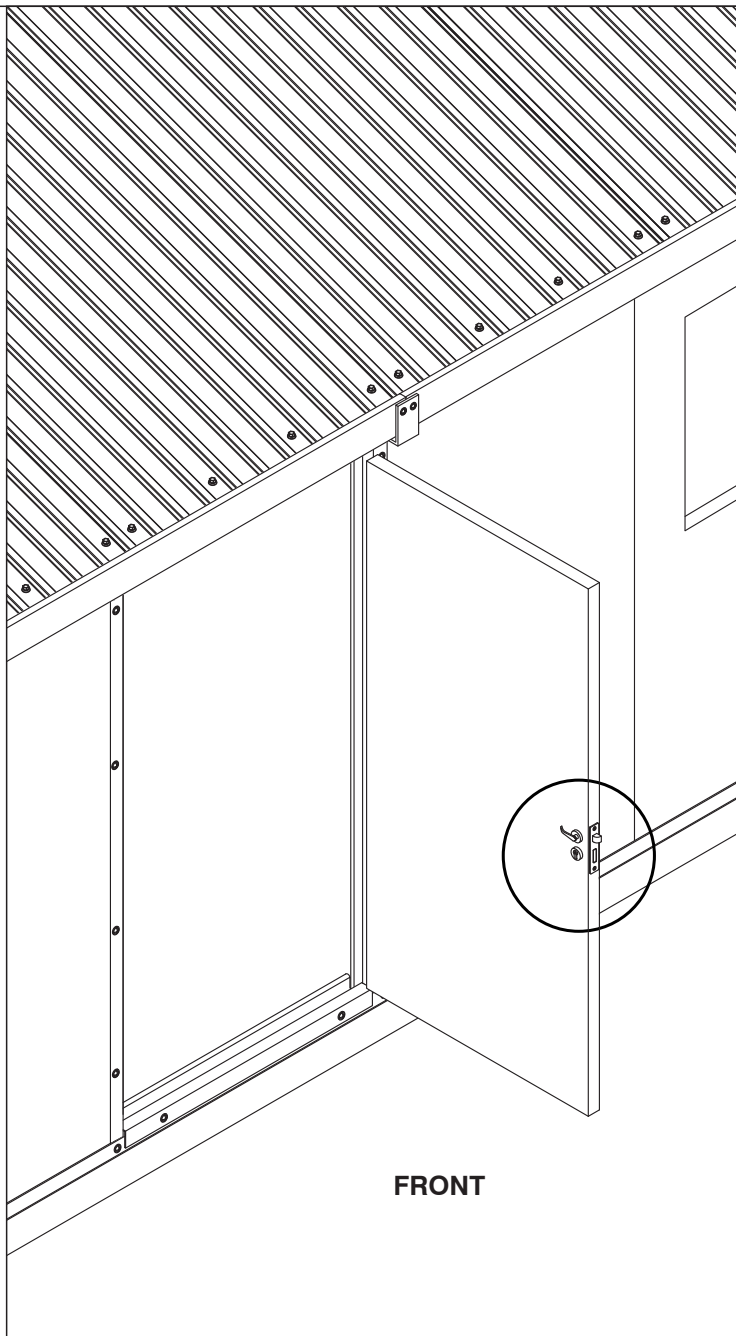
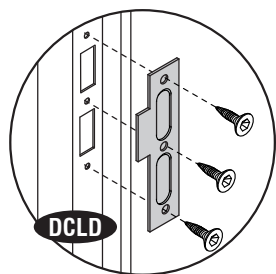


Fig.8

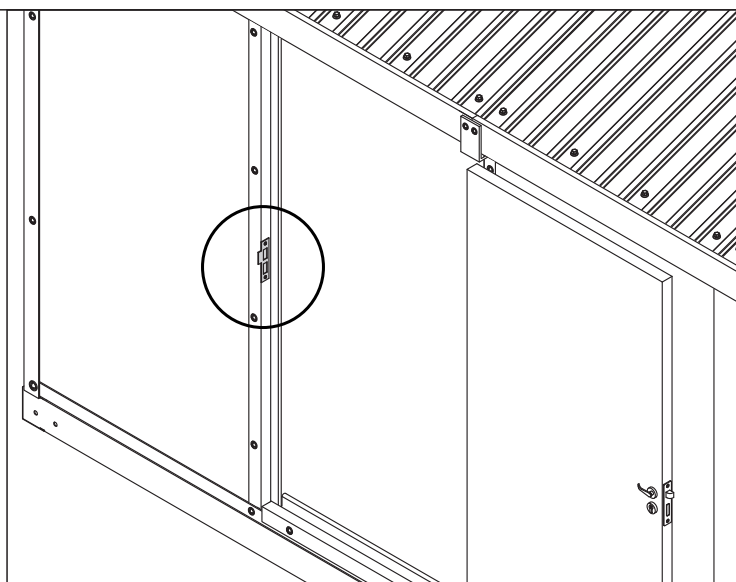


FRONT

38



DCLD

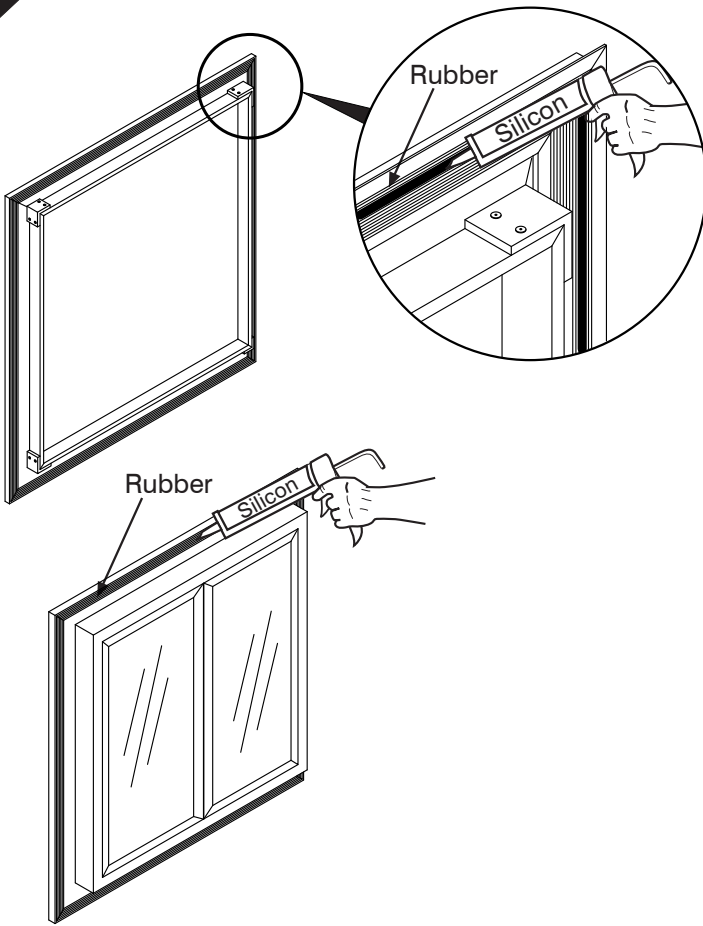


43

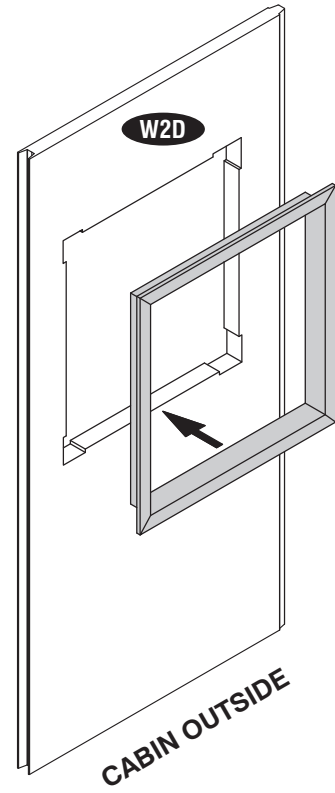
IMPORTANT : USE HAND GLOVES TO PREVENT INJURY.

Window Assembly

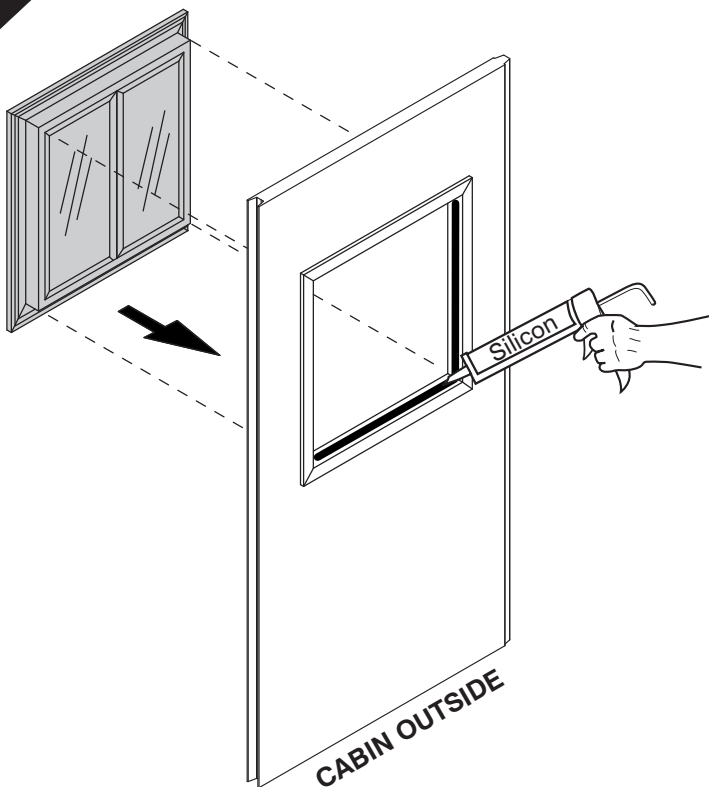
1



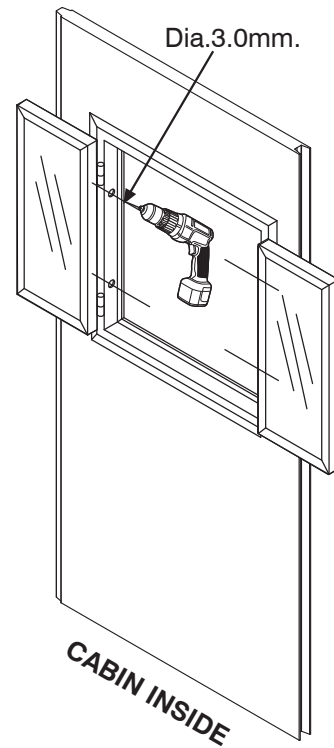
2



3

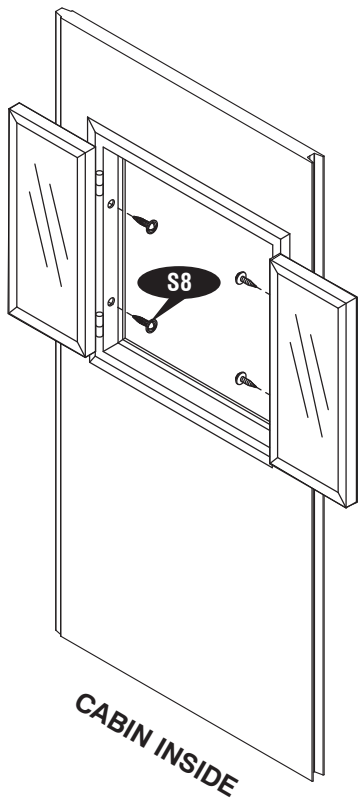


4

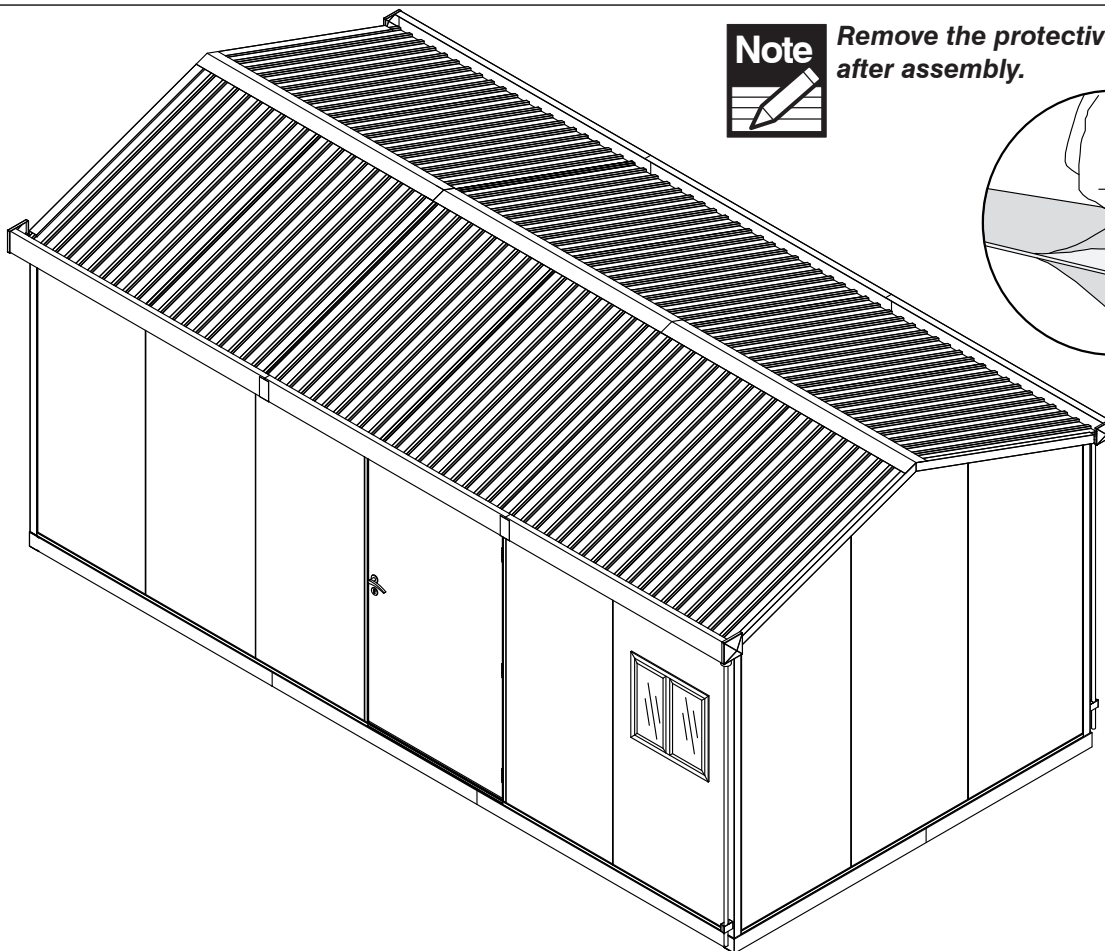
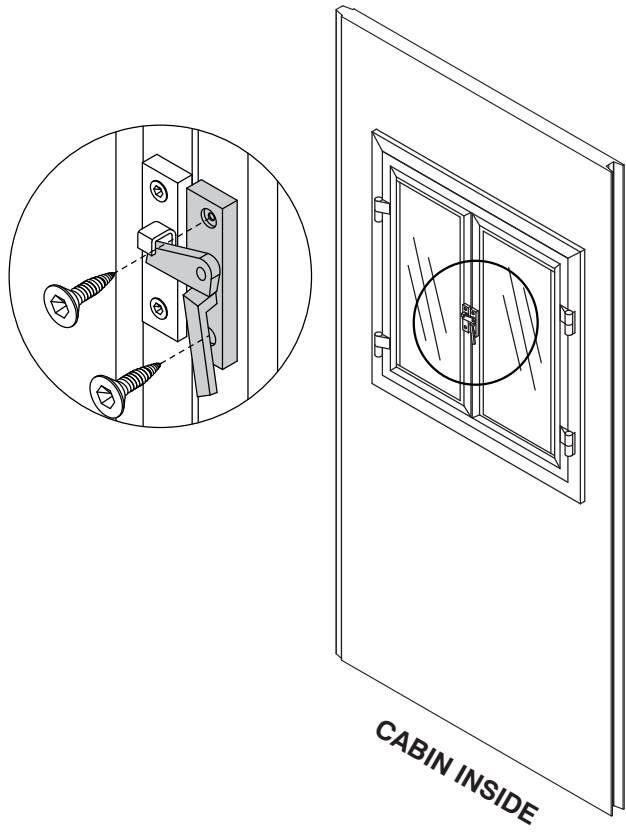


IMPORTANT : USE HAND GLOVES TO PREVENT INJURY.

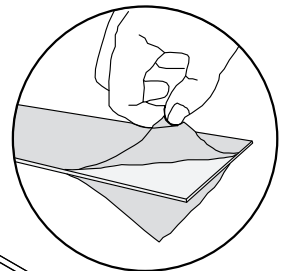
5



6



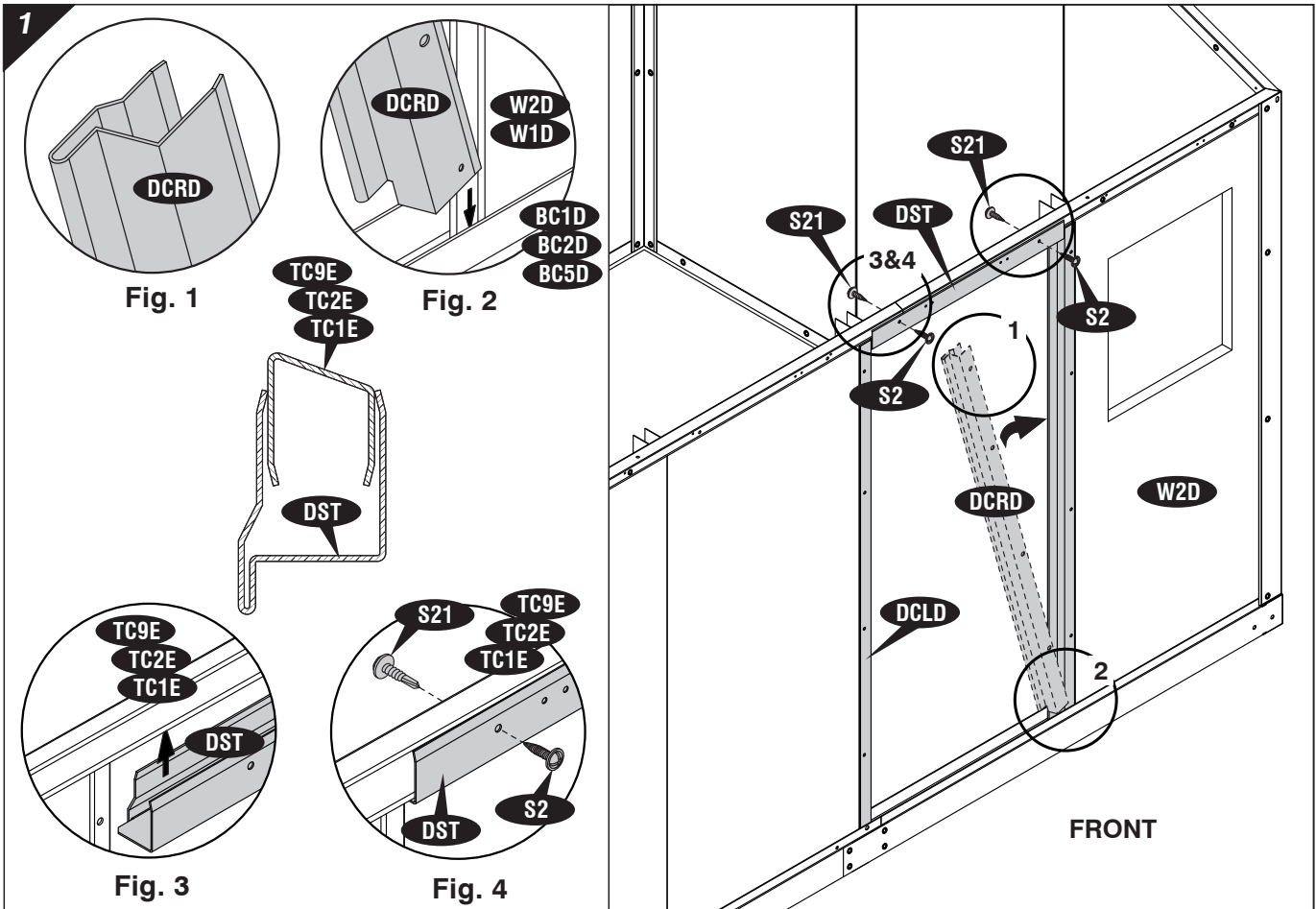
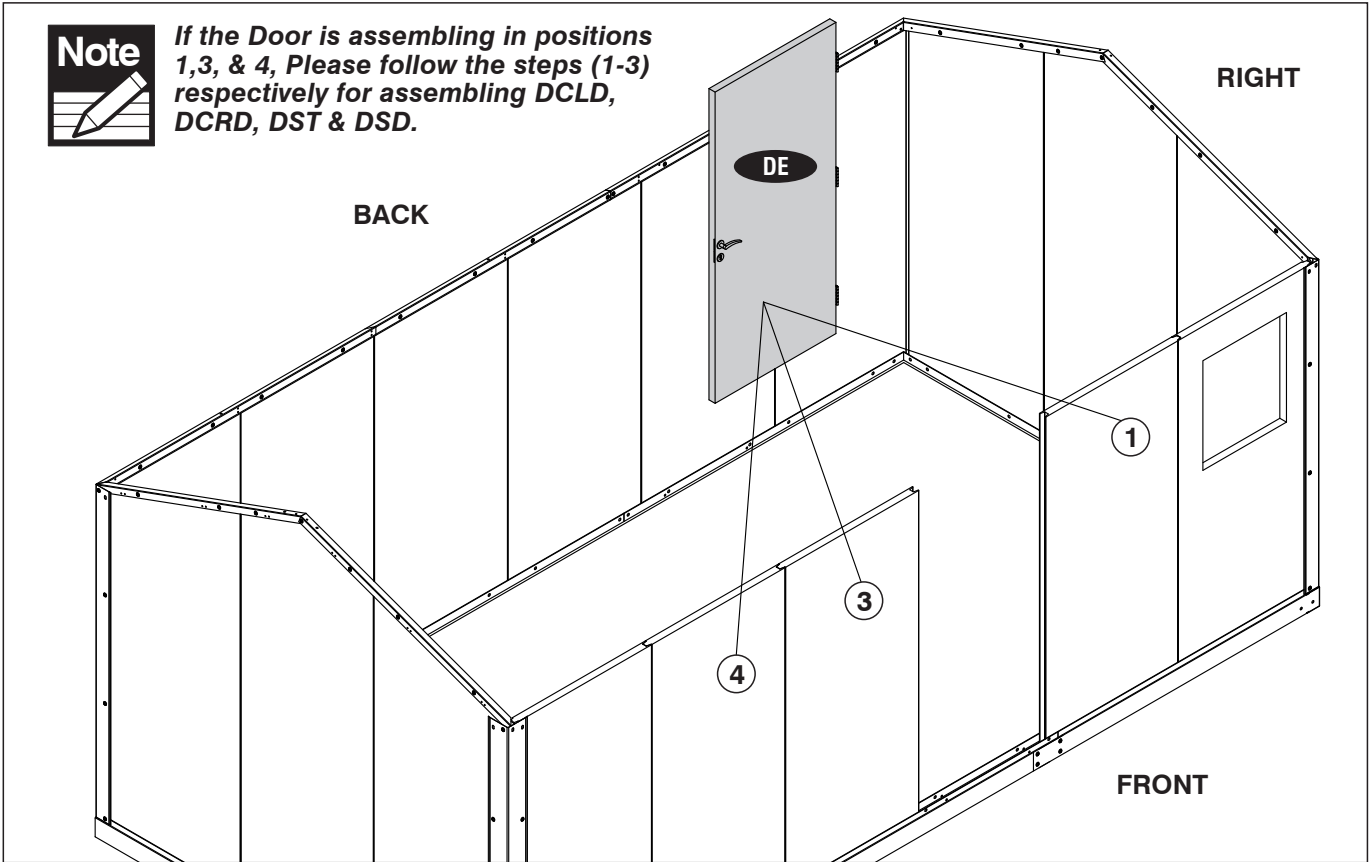
Note Remove the protective films after assembly.



Door Assembly in Positions 1,3 & 4

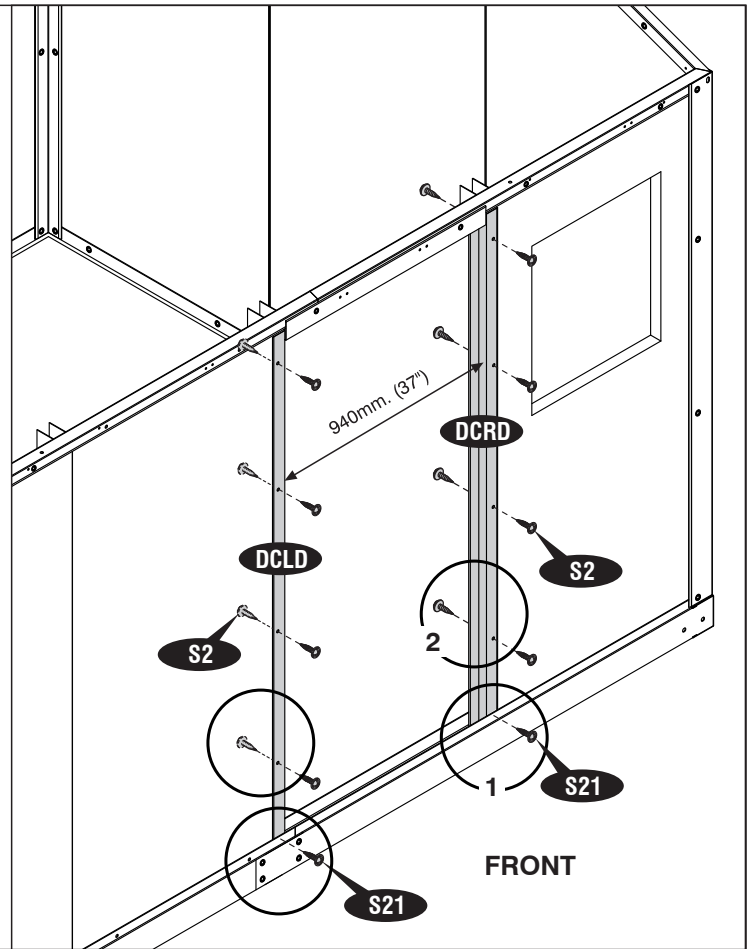
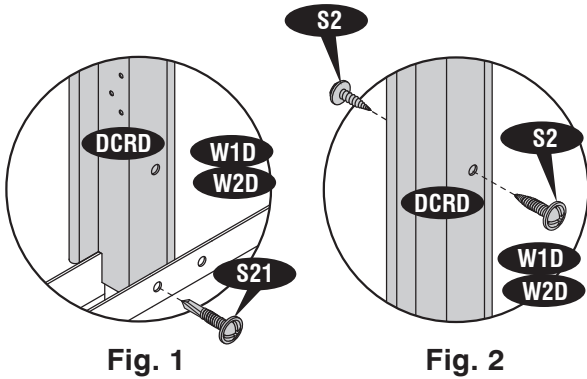
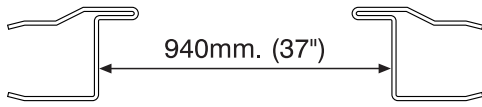


Note If the Door is assembling in positions 1,3, & 4, Please follow the steps (1-3) respectively for assembling DCLD, DCRD, DST & DSD.

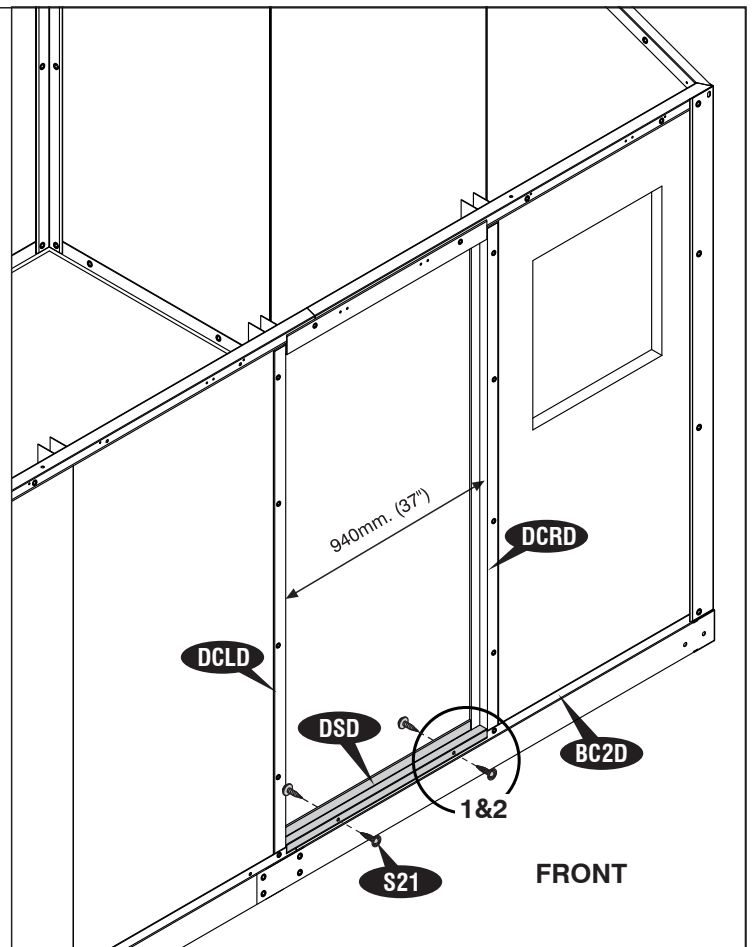
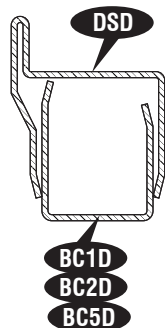
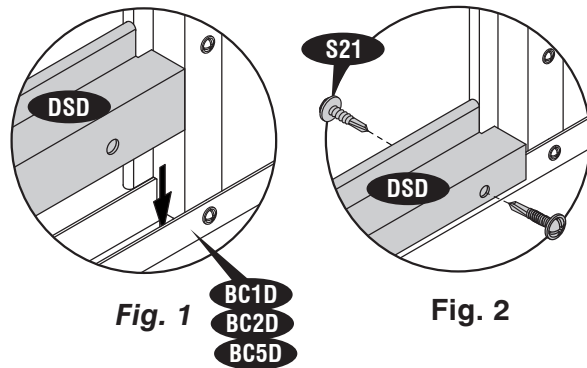


IMPORTANT : USE HAND GLOVES TO PREVENT INJURY.

2

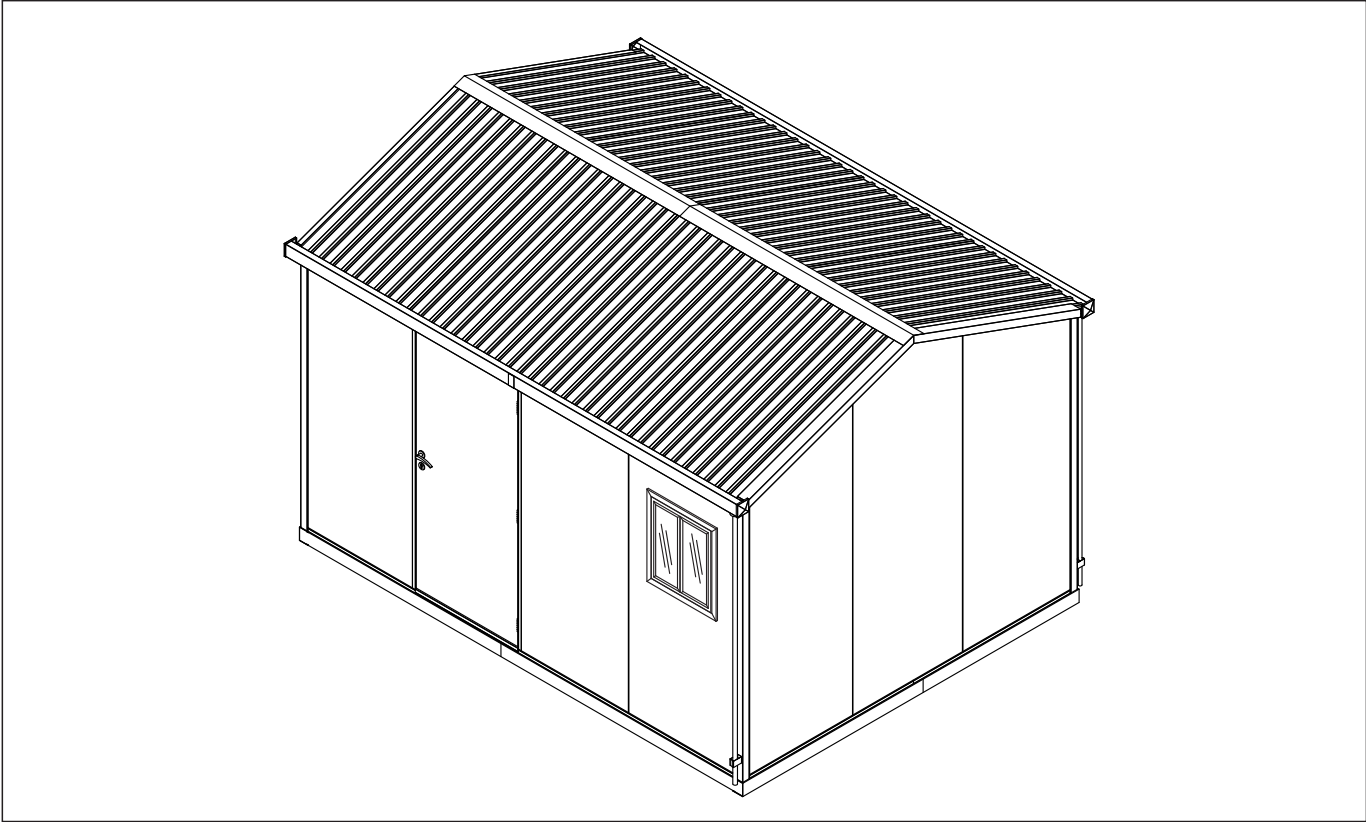


3

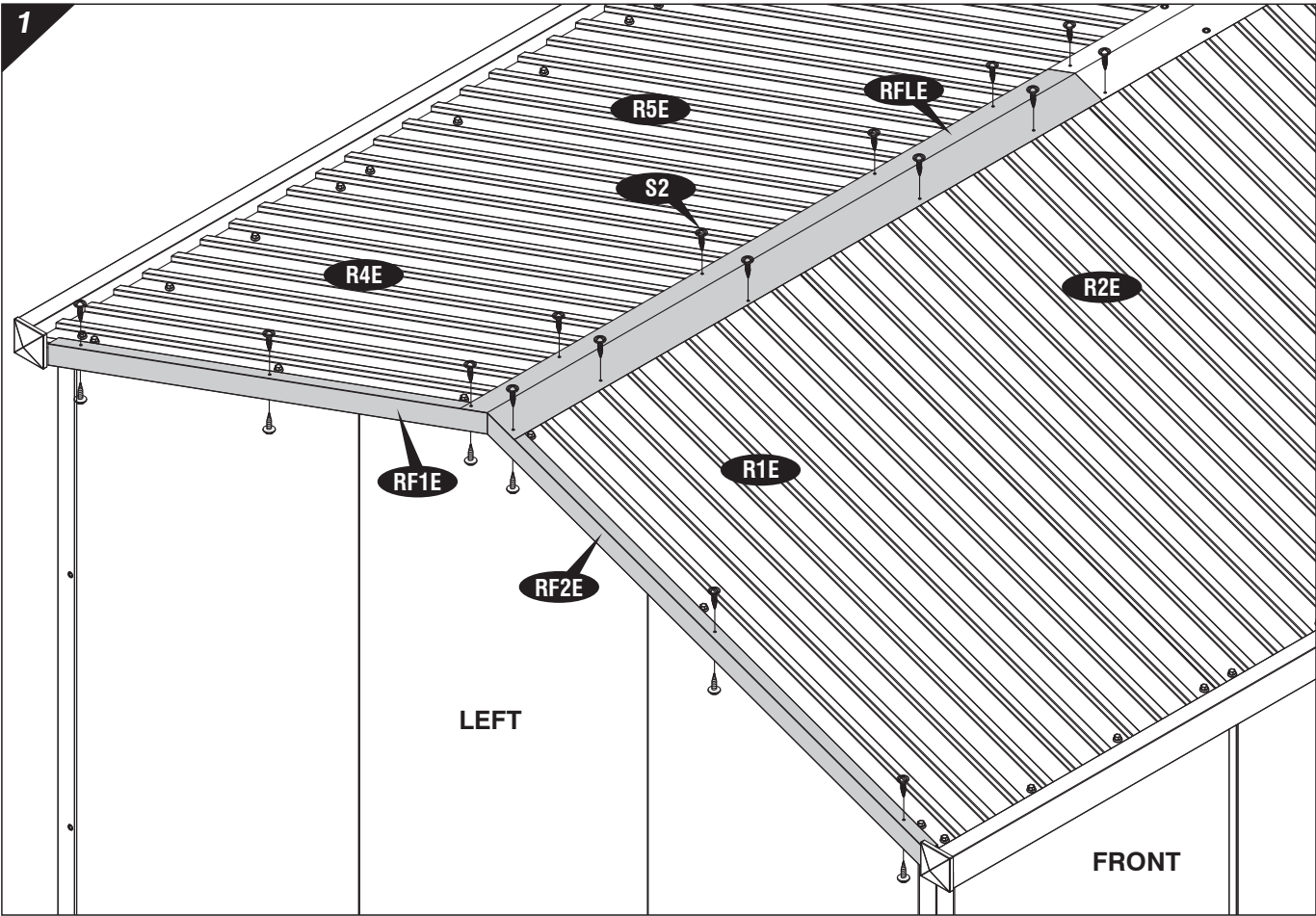


IMPORTANT : USE HAND GLOVES TO PREVENT INJURY.

PART 2 : Adding Extension Kit to Existing Cabin

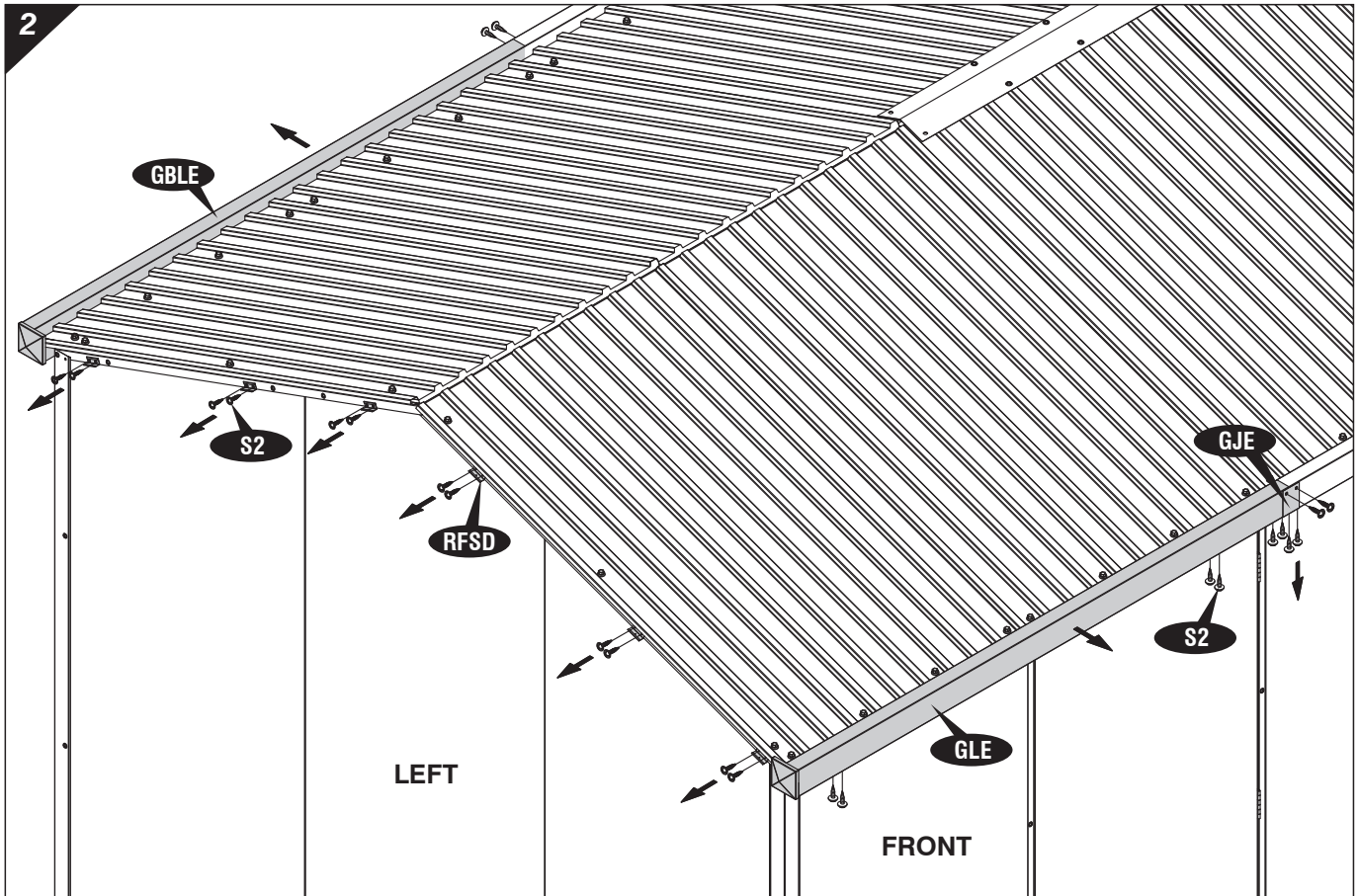


Step 1. Remove RFLE, RF1E & RF2E

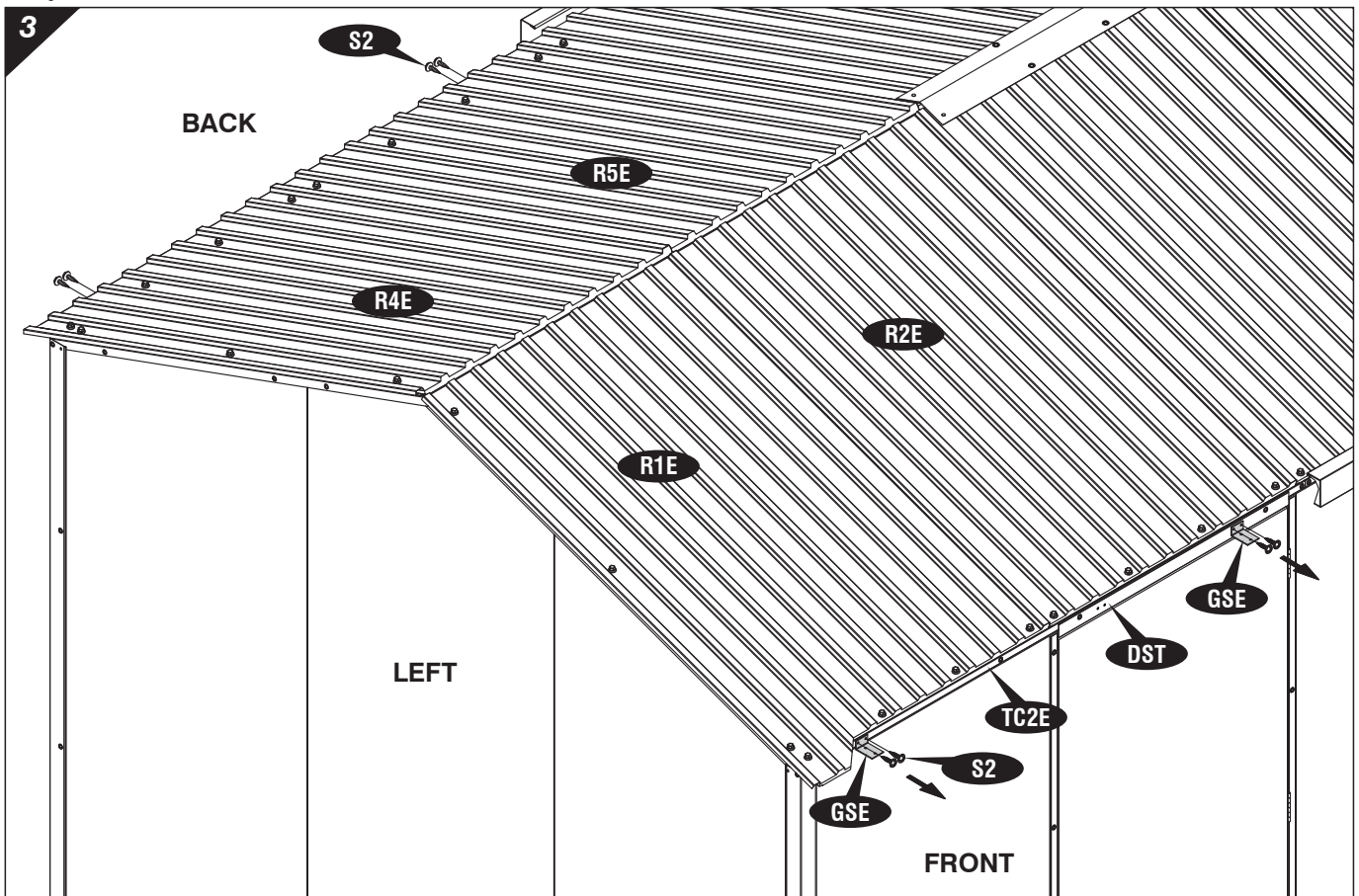


IMPORTANT : USE HAND GLOVES TO PREVENT INJURY.

Step 2. Remove GJE, GLE, GBLE & RFSD

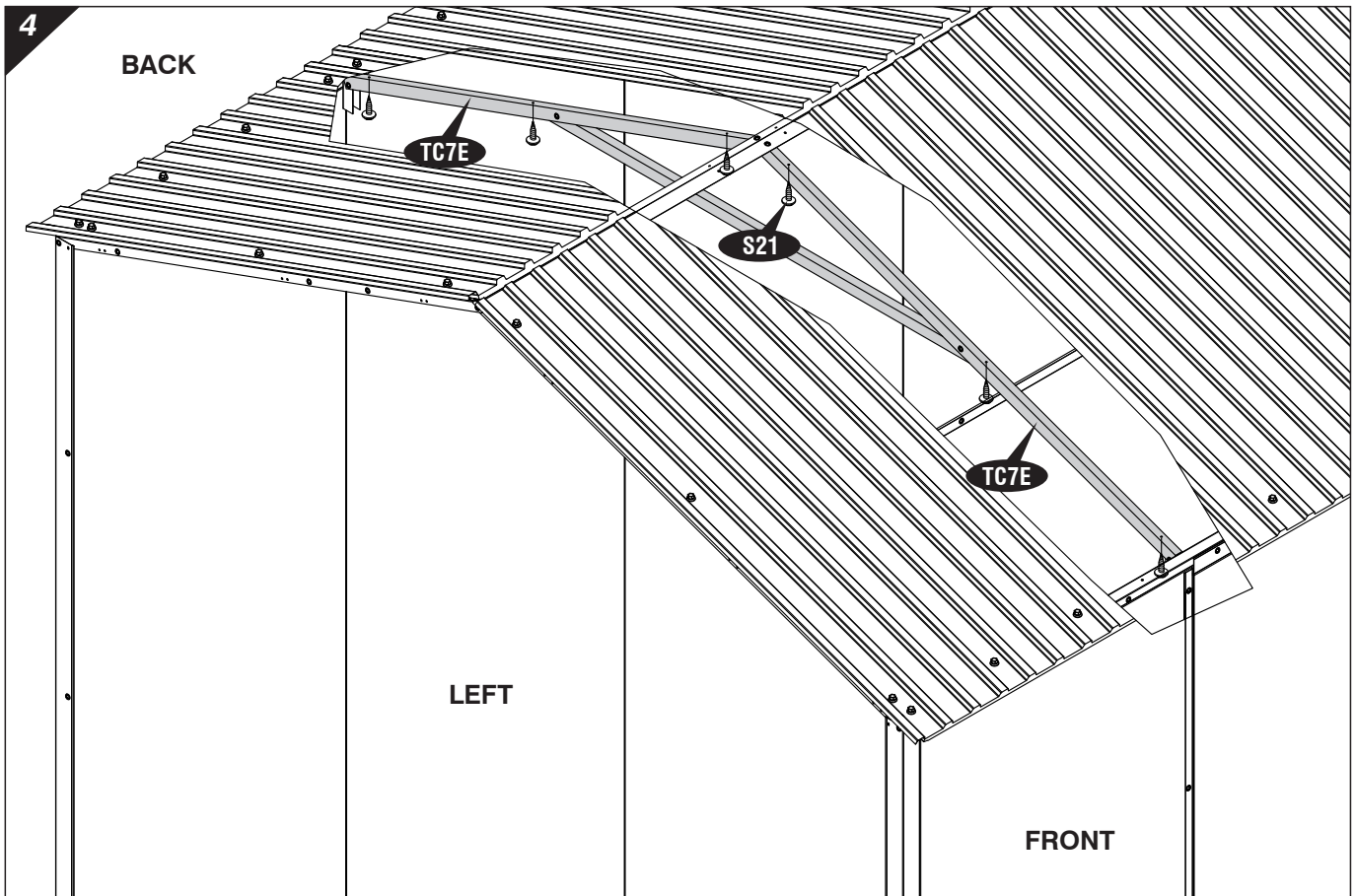


Step 3. Remove GSE

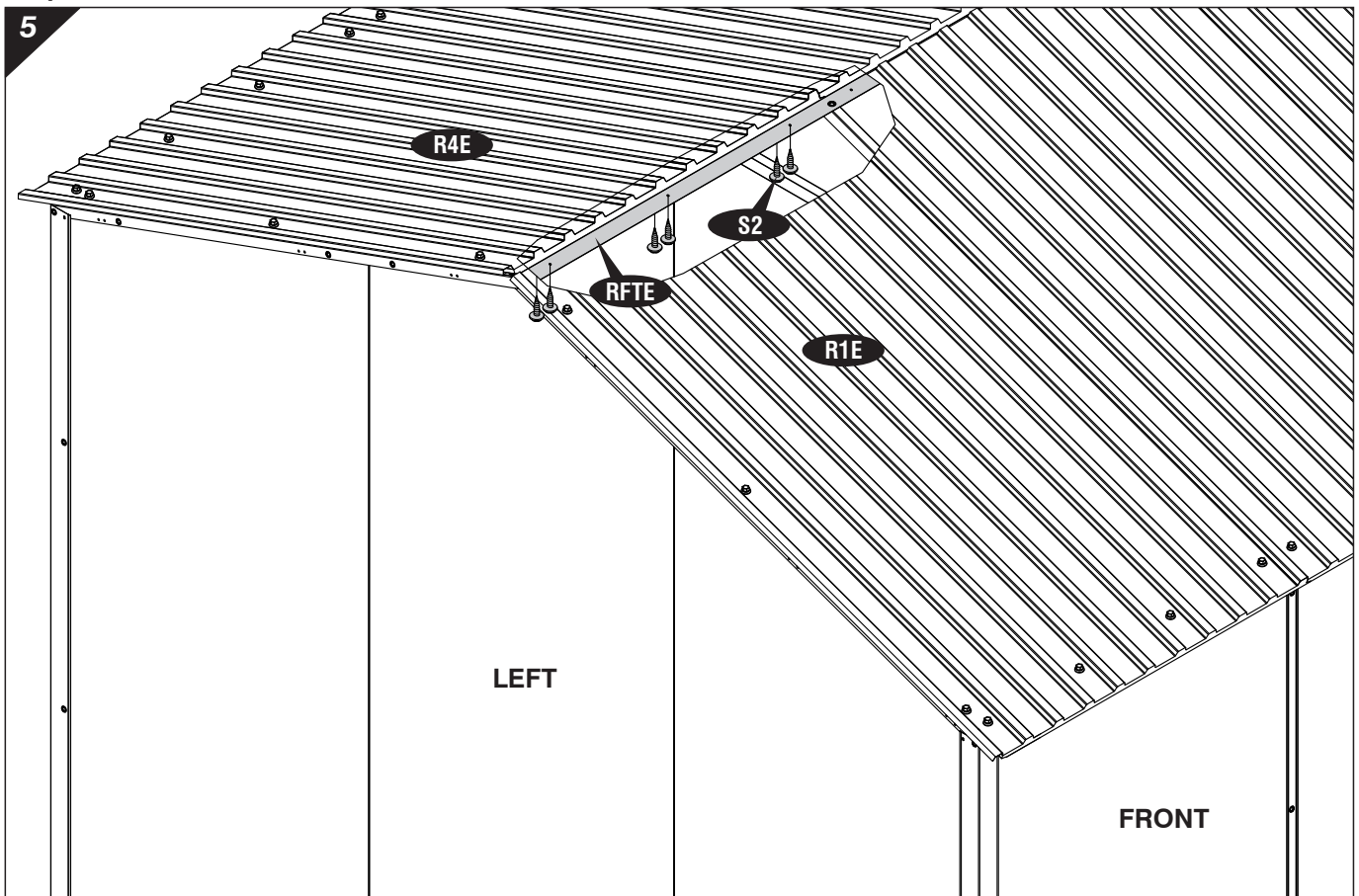


IMPORTANT : USE HAND GLOVES TO PREVENT INJURY.

Step 4. Remove S21 From TC7E

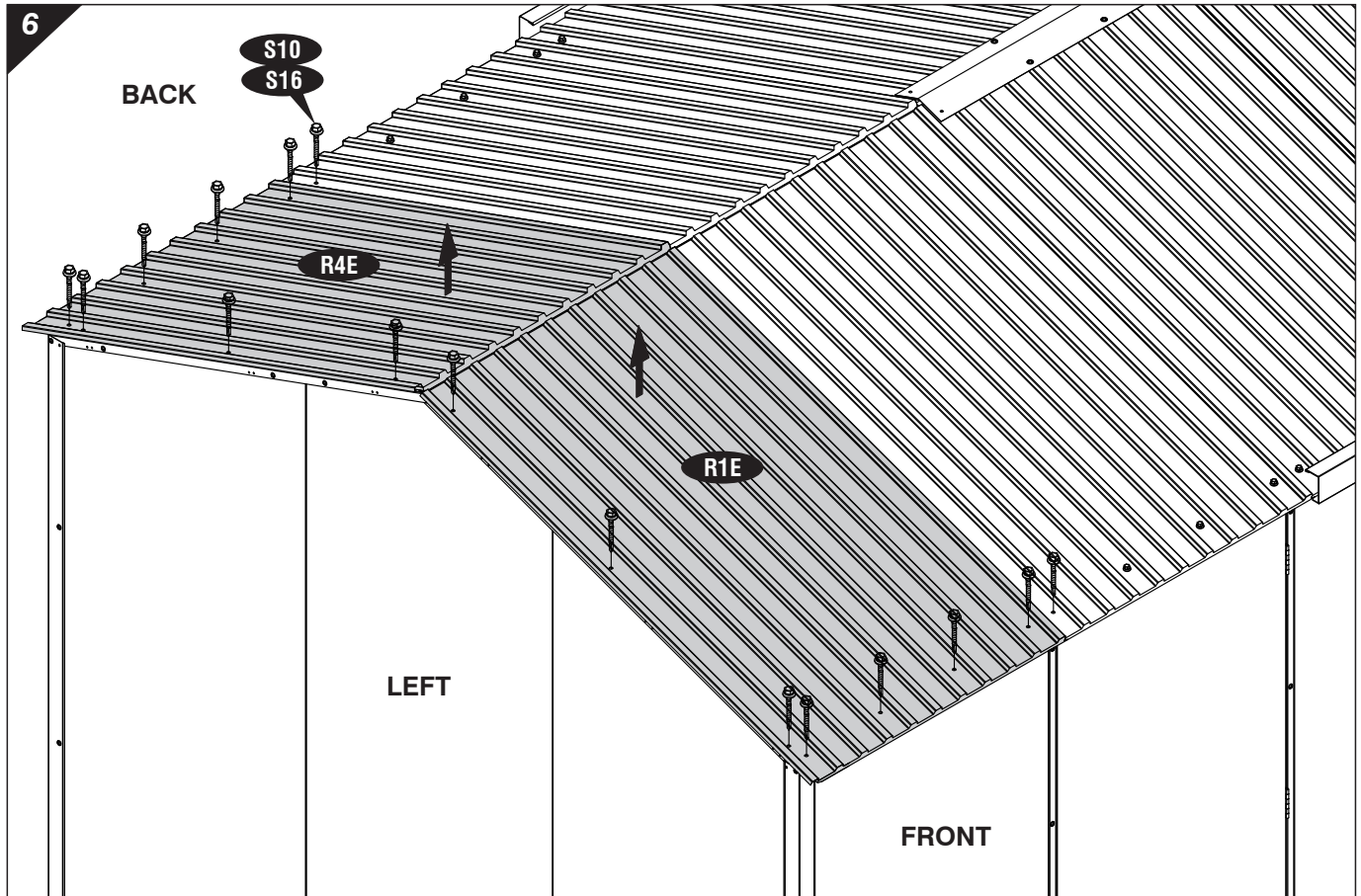


Step 5. Remove S2 From RFTE

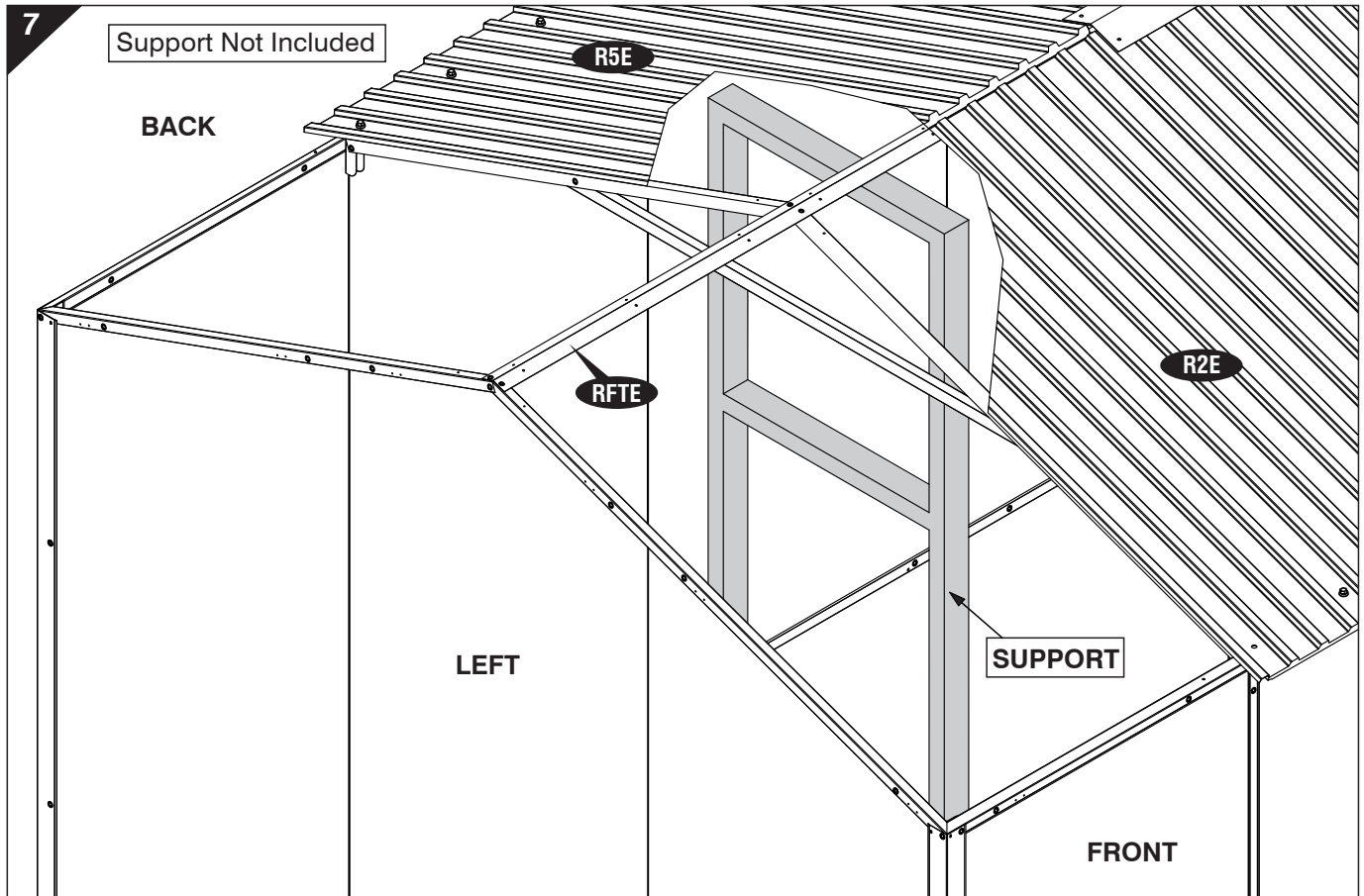


IMPORTANT : USE HAND GLOVES TO PREVENT INJURY.

Step 6. Remove R1E & R4E

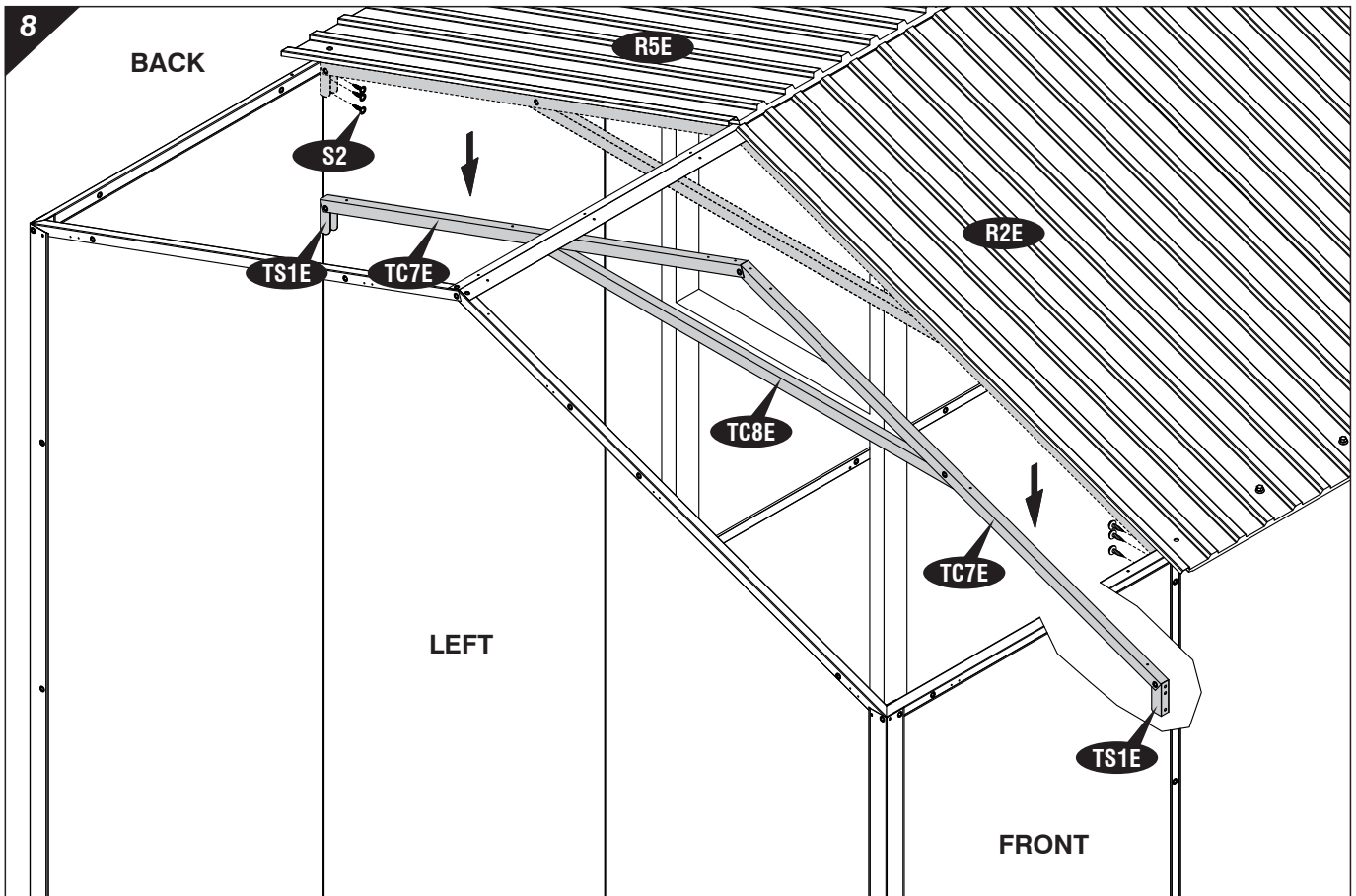


Step 7. Support the Roof Panel (R2E & R5E) by using an appropriate support to avoid the structure from collapsing.

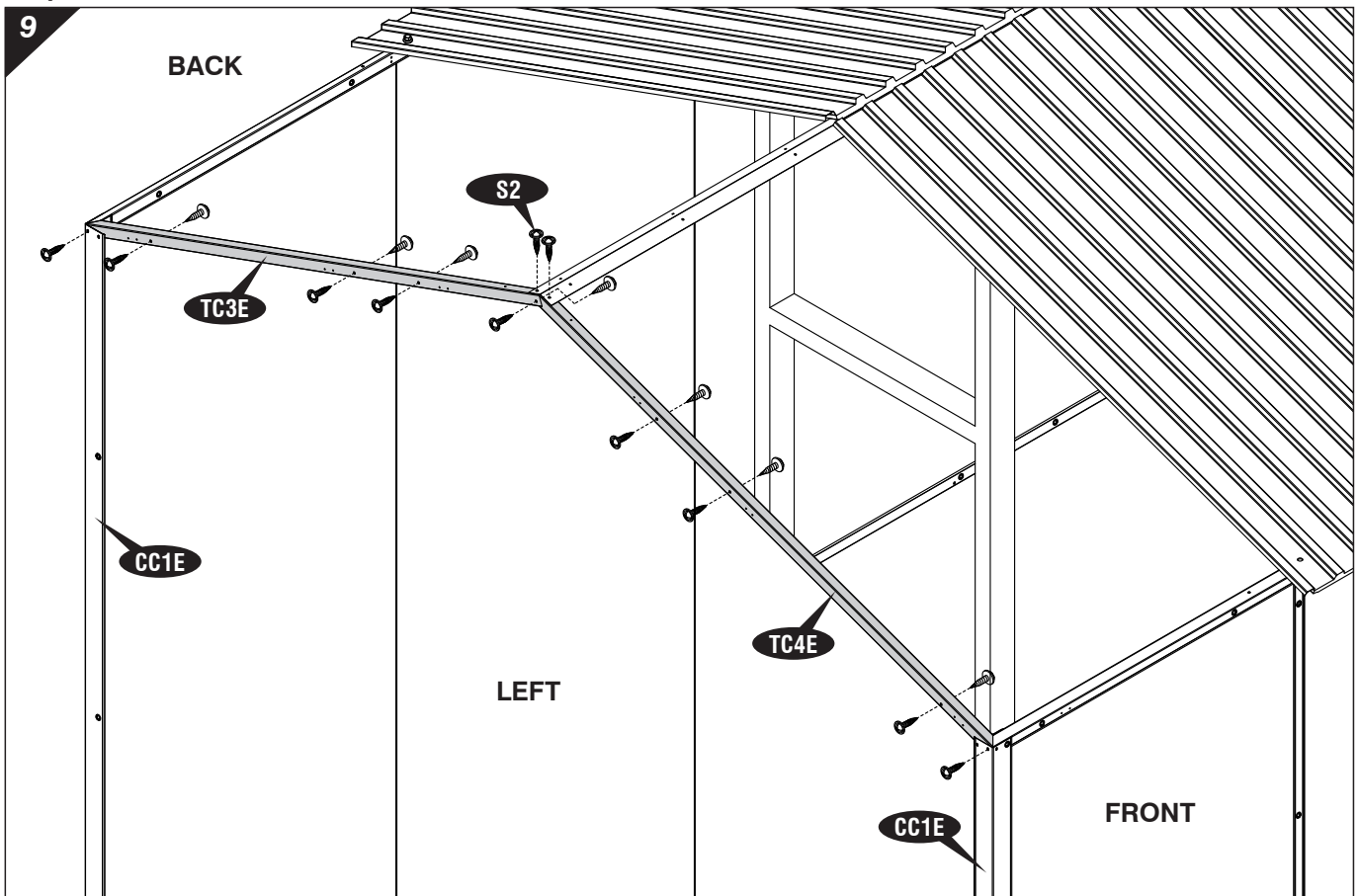


IMPORTANT : USE HAND GLOVES TO PREVENT INJURY.

Step 8. Remove Roof Structure (TS1E, TC7E & TC8E)

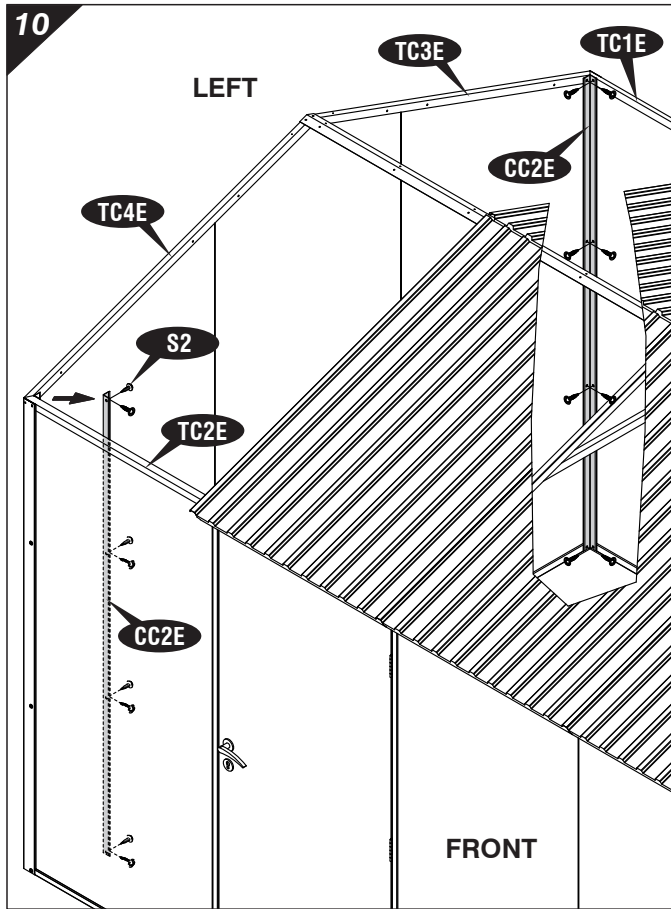


Step 9. Remove S2 From TC3E & TC4E

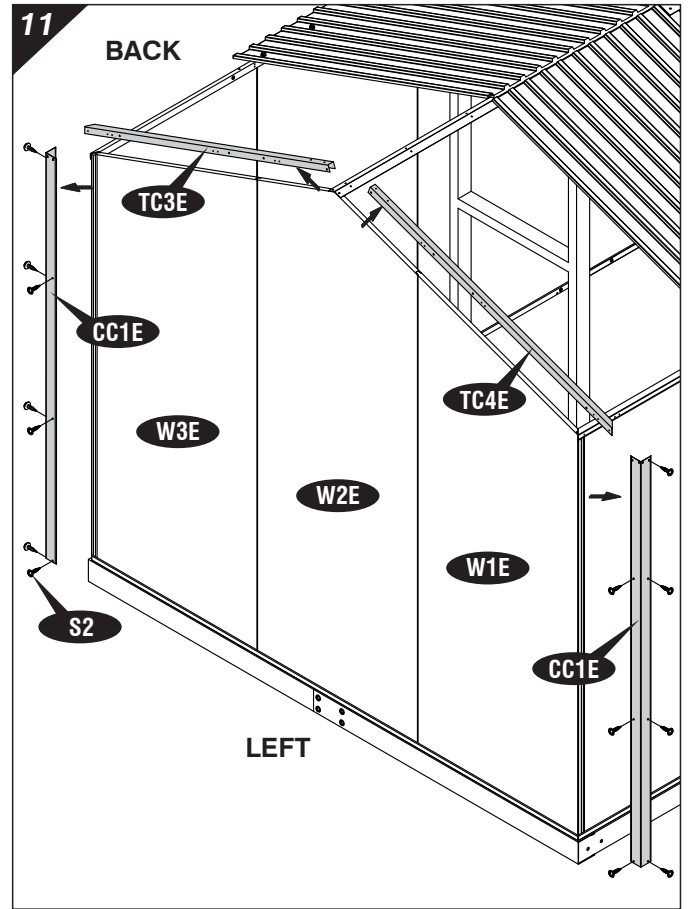


IMPORTANT : USE HAND GLOVES TO PREVENT INJURY.

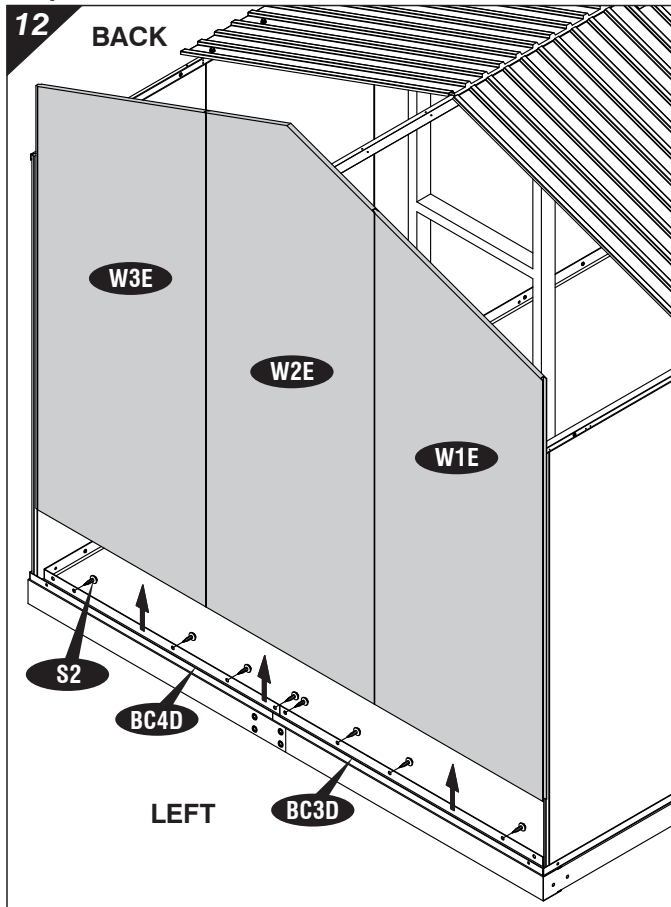
Step 10.Remove CC2E



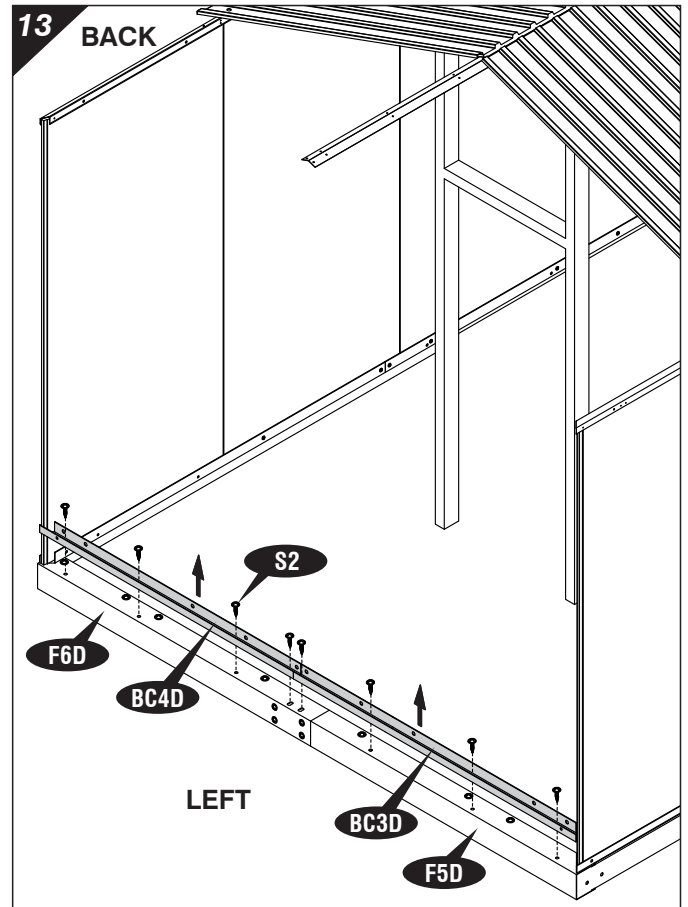
Step 11.Remove CC1E, TC3E & TC4E



Step 12.Remove W1E,W2E,W3E

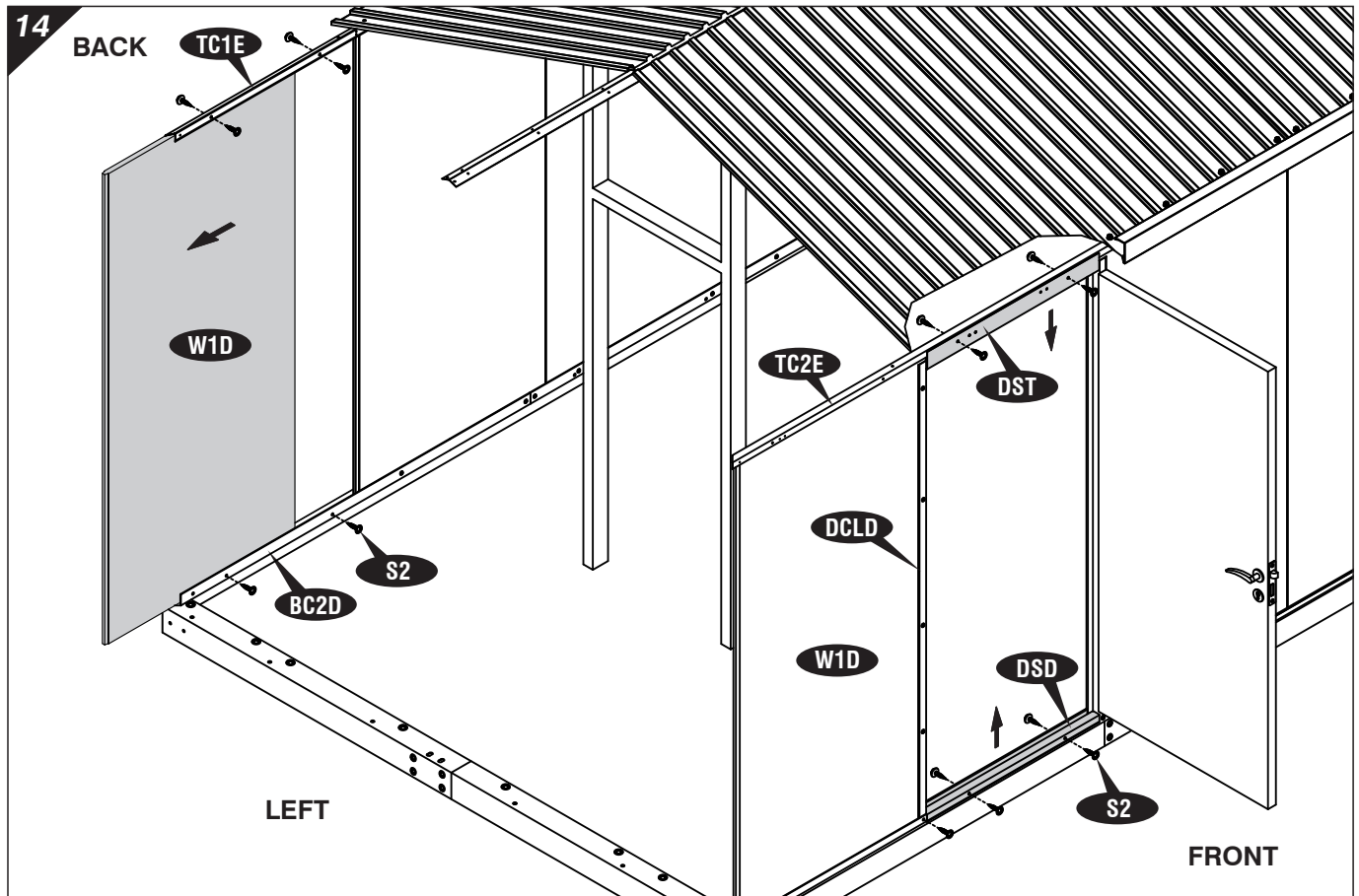


Step 13.Remove BC3D & BC4D

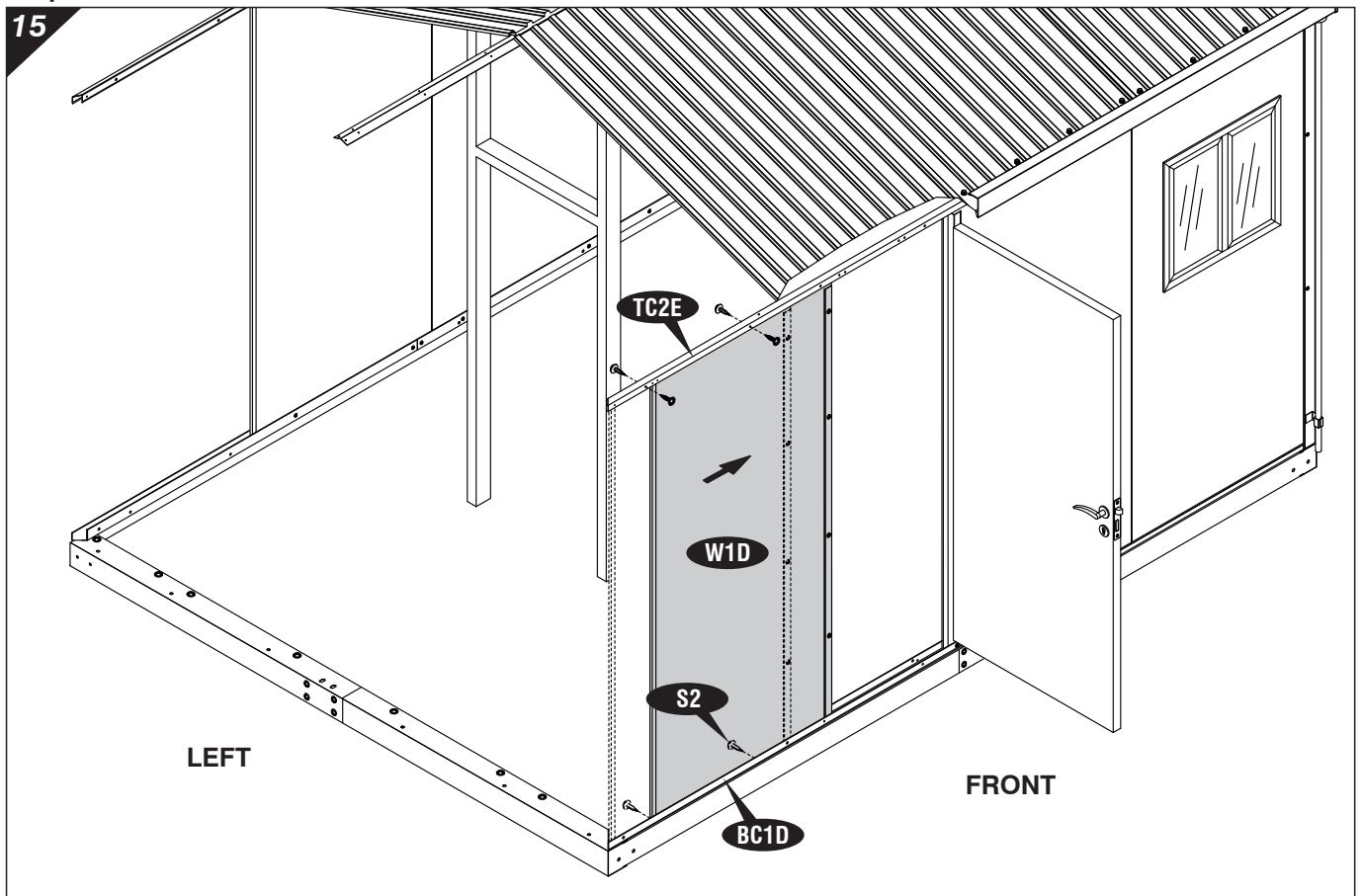


IMPORTANT : USE HAND GLOVES TO PREVENT INJURY.

Step 14. Remove W1D, DSD & DST



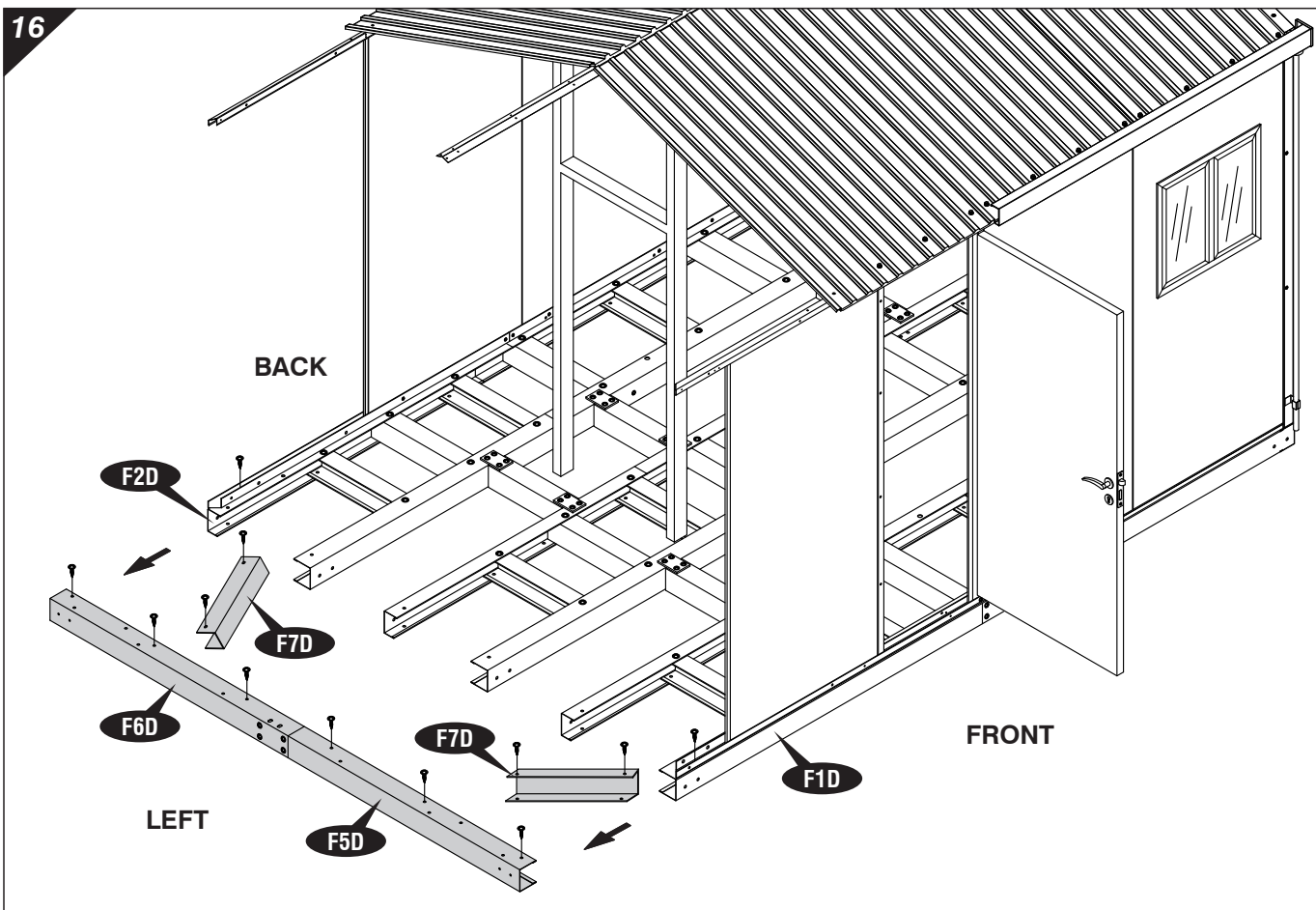
Step 15. Remove S2 From W1D & Push 100mm Inside the Door



IMPORTANT : USE HAND GLOVES TO PREVENT INJURY.

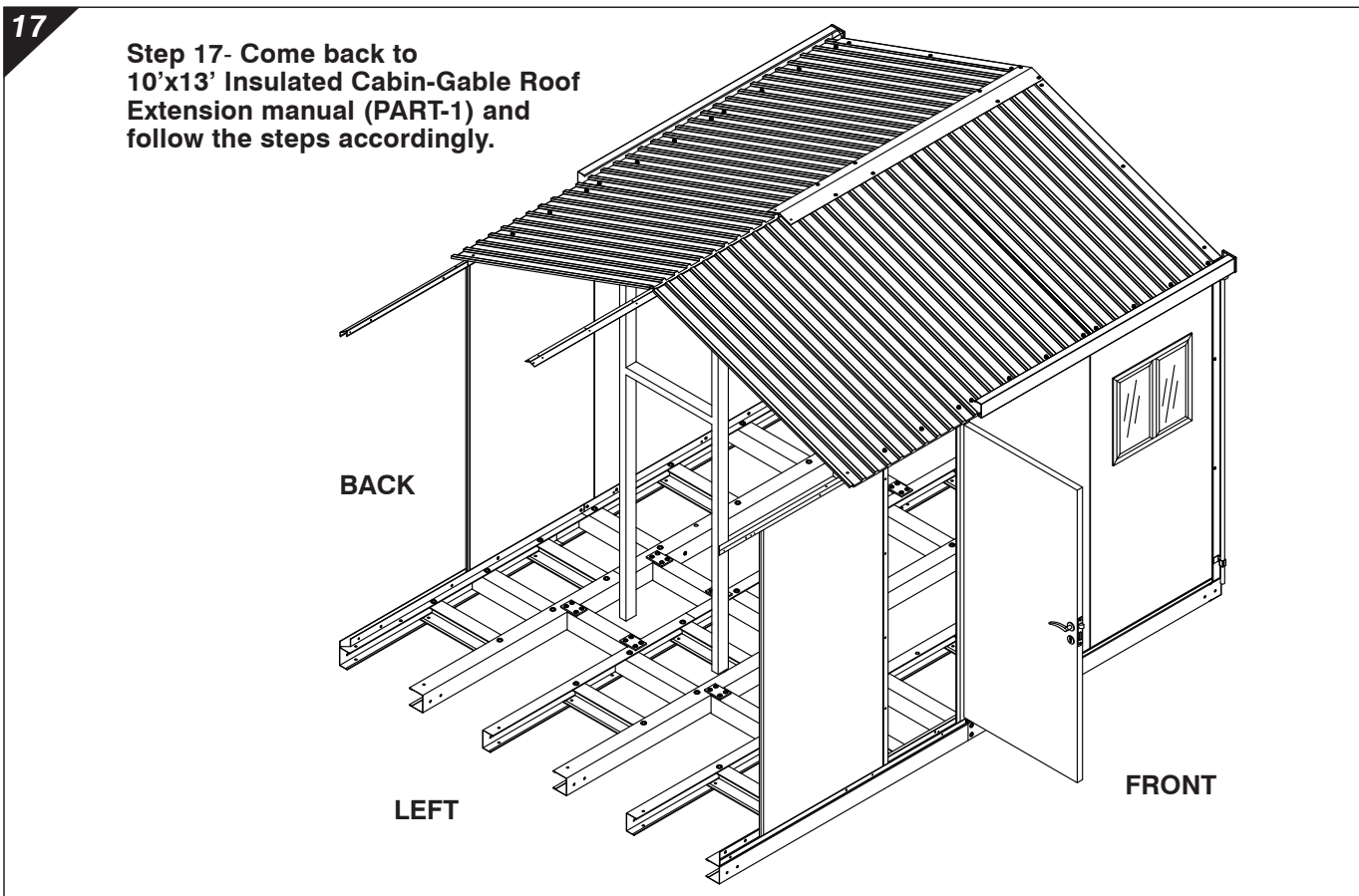
Step 15.Remove F7D, F6D & F5D

16

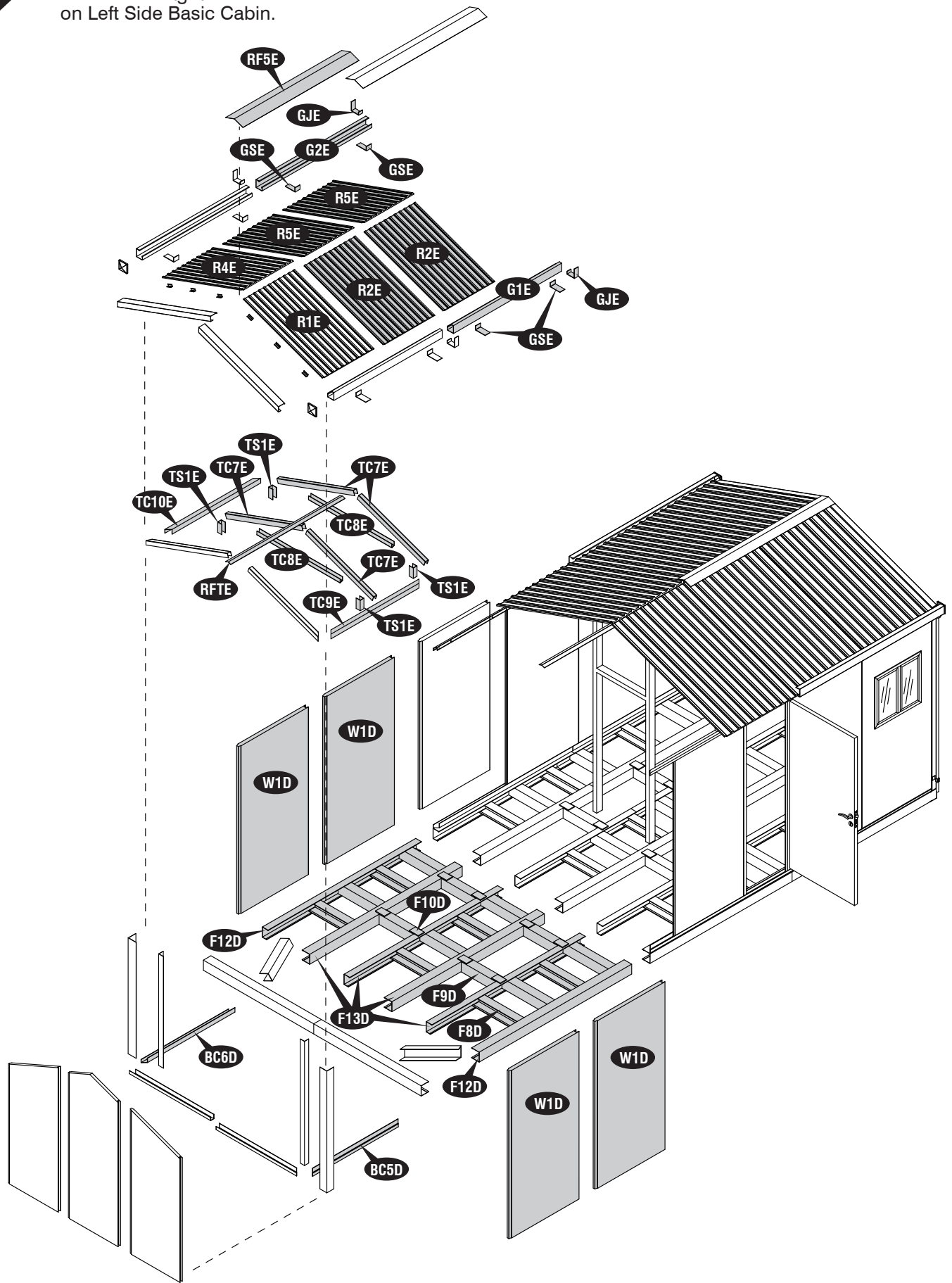


17

Step 17- Come back to 10'x13' Insulated Cabin-Gable Roof Extension manual (PART-1) and follow the steps accordingly.



Follow the Diagram to Extension Assemble on Left Side Basic Cabin.



IMPORTANT : USE HAND GLOVES TO PREVENT INJURY.



U.S. Polymers, Inc.
1057 S. Vail Ave
Montebello, CA 90640,
United States of America